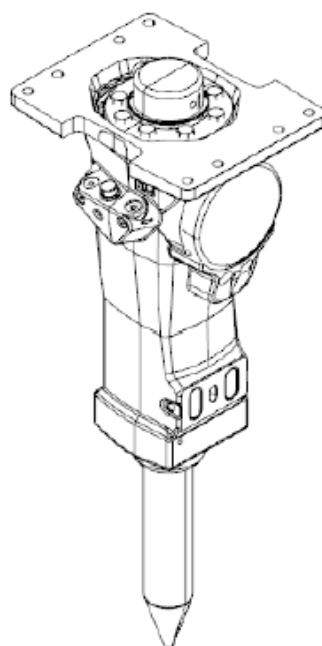


# SB 552

---

## Spare parts list Hydraulic breakers

SB 552 s/n BES043748 –



# General information

This spare parts list applies to the following:

| Part number | Description       |
|-------------|-------------------|
| 8460030080  | SB 552            |
| 8460030084  | SB 552 HATCON     |
| 8460030087  | SB 552 HATCON LTE |

Use only authorized parts. Any damage or malfunction caused by the use of unauthorized parts is not covered by Warranty or Product Liability. Any unauthorized use or copying of the contents or any part thereof is prohibited. This applies in particular to trademarks, model denominations, part numbers, and drawings.

## Instructions for use

This spare parts list contains no safety regulations and is merely intended to assist in the ordering of spare parts.

For information about operating, servicing, or repairing, the relevant Safety and operating instructions must be consulted at all costs.

Please observe the safety instructions listed in the relevant Safety and operating instructions!

**Service, repair, wear part kits**

Label kit ..... 1  
Lower hammer part kit .....3  
Accumulator repair kit ..... 5  
Seal kit ..... 7

**Mechanical**

Hydraulic breaker ..... 9  
HATCON (Horizontal) ..... 12  
Optional parts - Bushing oversize, complete ..... 15  
Optional parts - Restrictor, complete ..... 17  
Tightening torque ..... 19  
Dimensions (mm) ..... 21

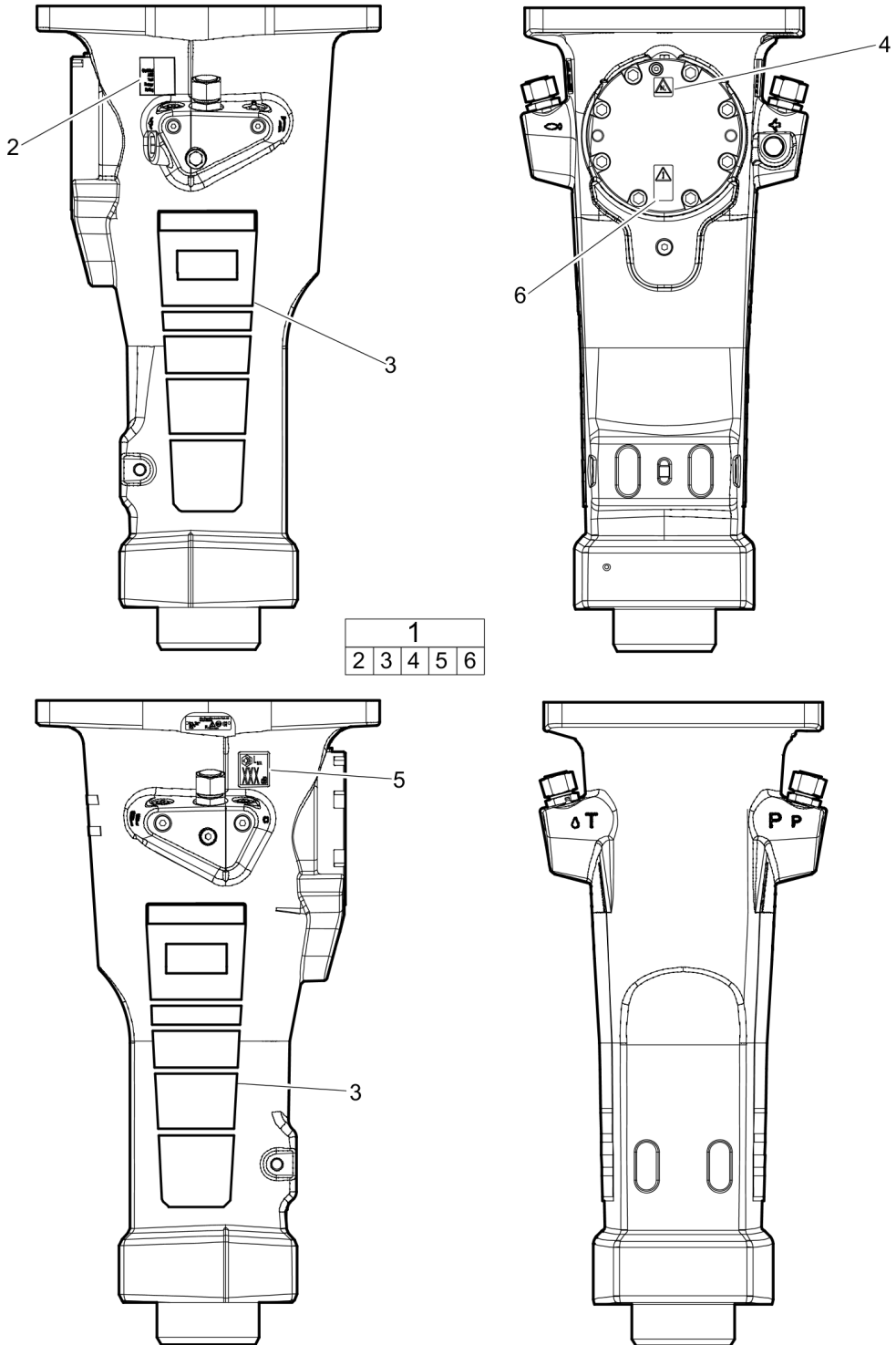
**Options/accessories**

Retrofit ..... 22  
Working tools ClassicLine ..... 25  
Working tools ProLine ..... 27  
Optional equipment ..... 29  
Hydraulic hoses ..... 31

**Annex**

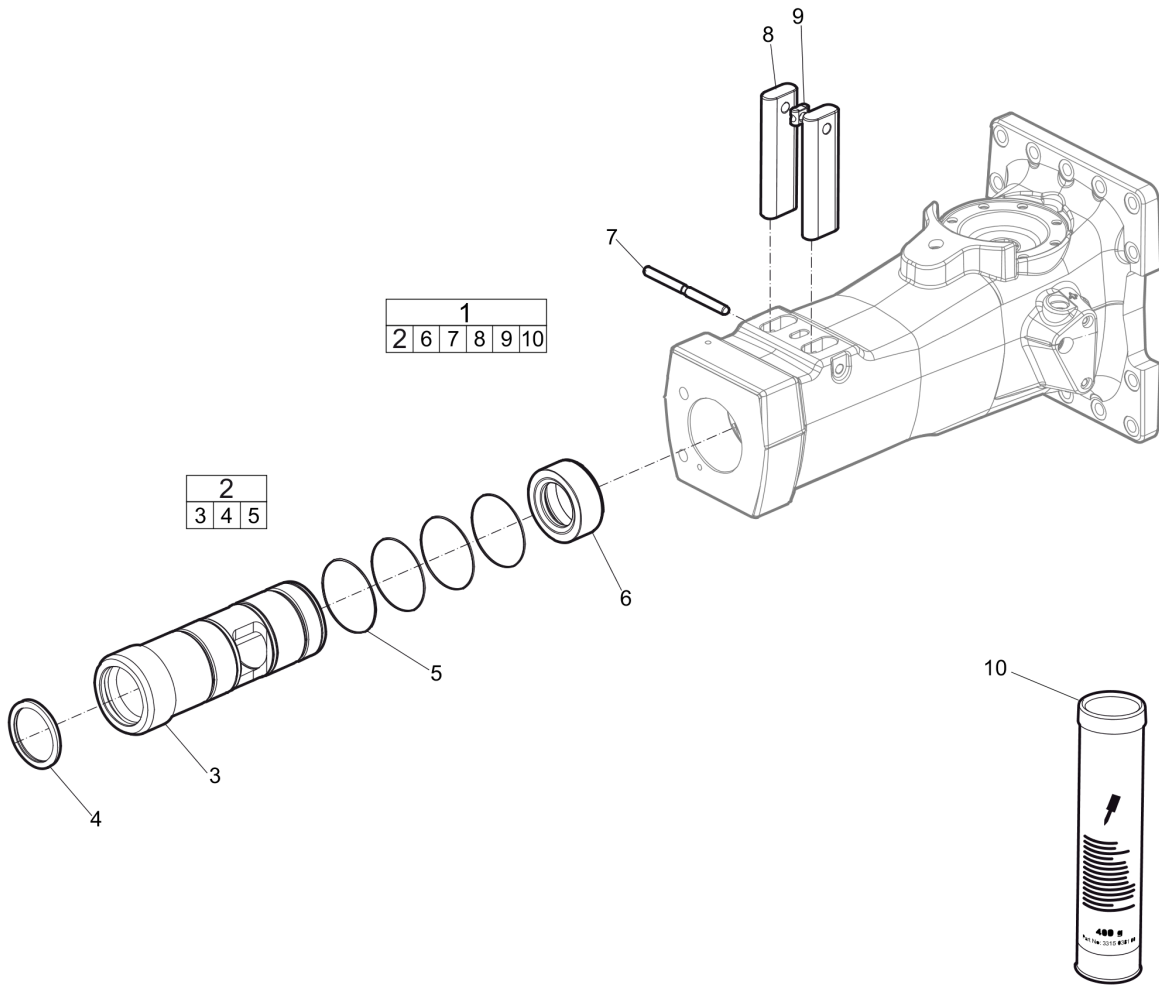
Environmental Product Compliance - REACH Declaration ..... 33

Service, repair, wear part kits Label kit



| Item | Part No.   | Name                   | Qty | L |
|------|------------|------------------------|-----|---|
| 1    | 3315321590 | Label kit              | 1   |   |
| 2    | --         | AEM sign               | 1   |   |
| 3    | --         | Product label "SB 552" | 2   |   |
| 4    | --         | Safety label           | 1   |   |
| 5    | --         | Noise level label      | 1   |   |
| 6    | --         | Safety label           | 1   |   |

Service, repair, wear part kits Lower hammer part kit



| Item | Part No.   | Name                                  | Qty | L |
|------|------------|---------------------------------------|-----|---|
| 1    | 3315352195 | Lower hammer part kit                 | 1   |   |
| 2    | 3315302980 | Bushing, complete                     | 1   |   |
| 3    | ---        | Bushing                               | 1   |   |
| 4    | 3315303000 | Scraper ring                          | 1   |   |
| 5    | 0663210823 | O-ring, 119.5 x 3 mm, 4.70 x 0.12 in. | 4   |   |
| 6    | 3315302800 | Stop ring                             | 1   |   |
| 7    | 3315319100 | Lock pin                              | 1   |   |
| 8    | 3315305900 | Tool retainer                         | 2   |   |
| 9    | 3315141900 | LOCK BUFFER                           | 1   |   |
| 10   | --         | Chisel paste cartridge, 400 g         | 1   |   |

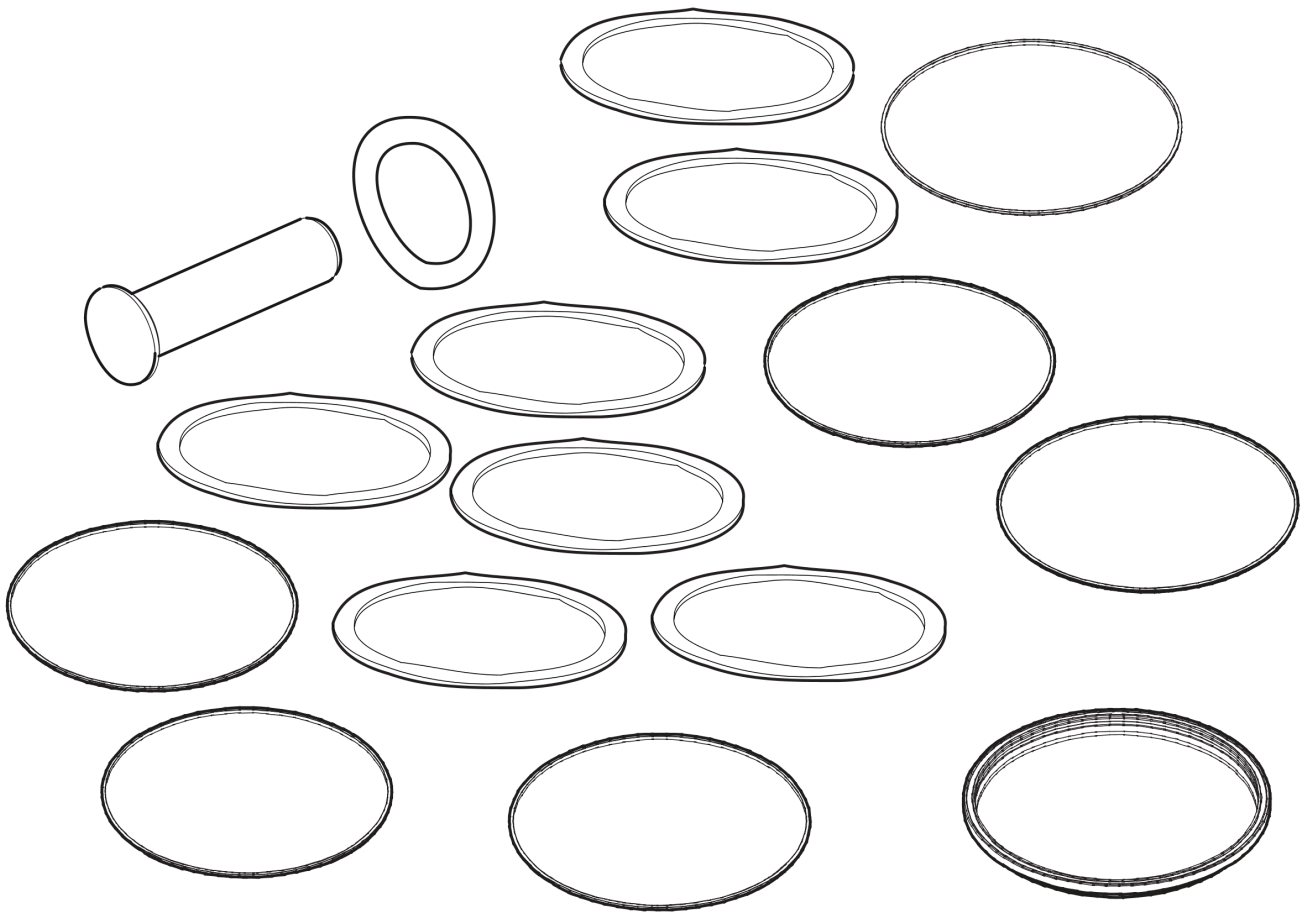
Service, repair, wear part kits Accumulator repair kit

**NO EXPLODED VIEW  
AVAILABLE  
FOR THIS BOM**



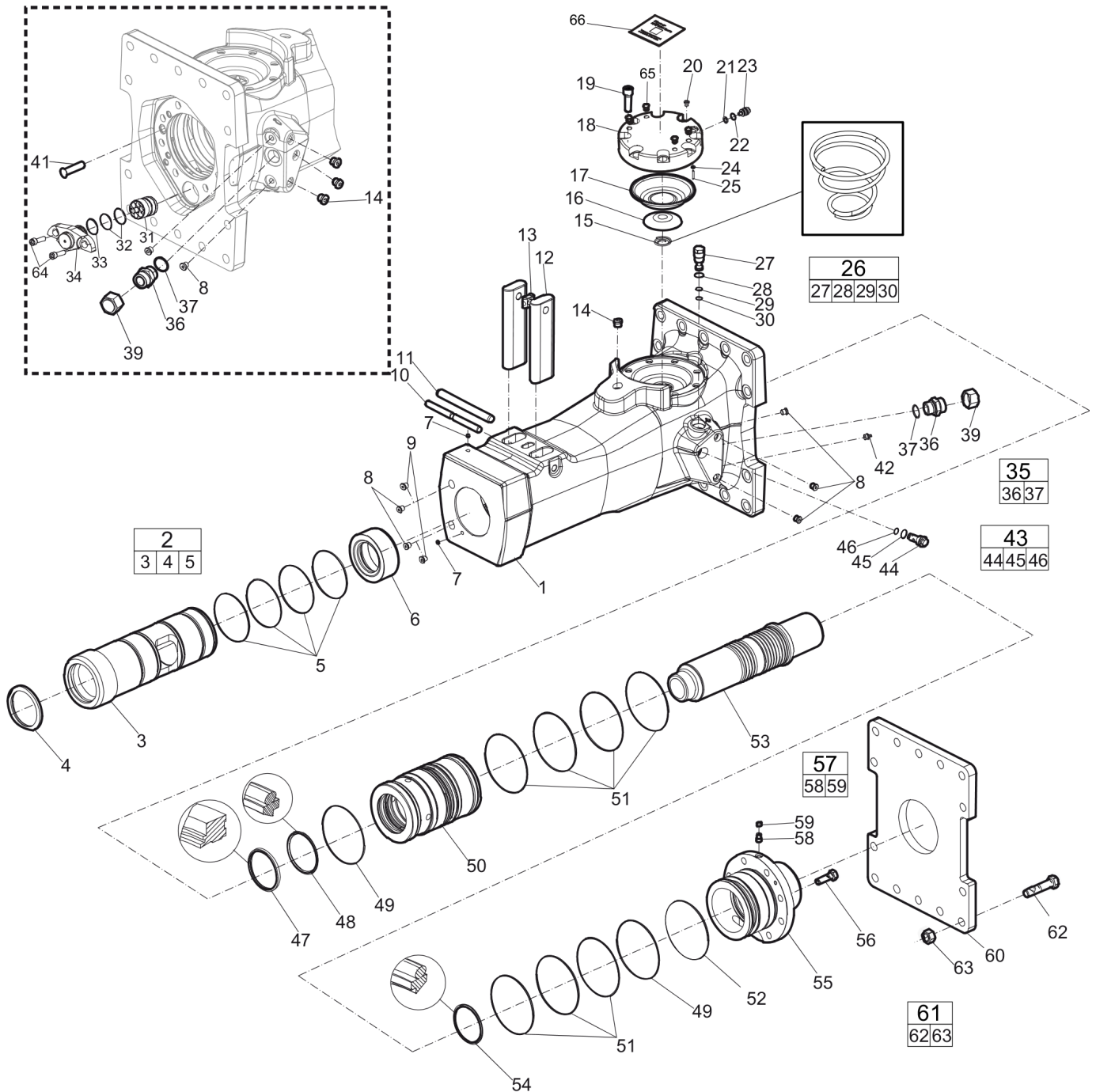
| Item | Part No.   | Name   | Qty | L |
|------|------------|--|-----|---|
| 1    | 3315303190 | Accumulator repair kit   | 1   |   |
| -    | 3315303500 | COIL SPRING  | 1   |   |
| -    | 3315303201 | Diaphragm support  | 1   |   |
| -    | 3315416300 | Diaphragm  | 1   |   |
| -    | 0211196544 | Hexagon socket screw M16 x 50 mm Screw with extra high fatigue strength. | 8   |   |
| -    | 0686371805 | PLUG   | 1   |   |
| -    | 3115329002 | SEAL RING  | 1   |   |
| -    | 0663212000 | O-RING   | 1   |   |
| -    | 3315366000 | VALVE  | 1   |   |
| -    | 0101414000 | PIN  | 1   |   |
| -    | 0663211400 | O-RING   | 1   |   |

Service, repair, wear part kits Seal kit



| Item | Part No.   | Name  | Qty | L |
|------|------------|---|-----|---|
| 1    | 3315303690 | Seal kit  | 1   |   |
| 2    | 0663210823 | O-ring, 119.5 x 3 mm, 4.70 x 0.12 in.                         | 4   |   |
| 3    | 0661100024 | SEAL WASHER   | 1   |   |
| 4    | 3115329002 | SEAL RING   | 1   |   |
| 5    | 0663212000 | O-RING  | 1   |   |
| 6    | 0663211400 | O-RING  | 1   |   |
| 7    | 0663212141 | O-RING  | 2   |   |
| 8    | 0663211491 | O-ring, 47.29 x 2.62 mm Polyuretan, 1.86 x 0.10 in.           | 1   |   |
| 9    | 0661200401 | BACK-UP RING  | 1   |   |
| 10   | 0663990026 | Seal ring, 51.3 x 54.3 x 3 mm, 2.02 x 2.14 x 0.12 in.         | 2   |   |
| 11   | 0664000005 | Sealing ring, 29.70 x 35.70 x 1.50 mm, 1.17 x 1.41 x 0.06 in. | 2   |   |
| 12   | 0663211125 | O-RING  | 2   |   |
| 13   | 0665090014 | SEAL RING   | 4   |   |
| 14   | 3315336700 | PLUG  | 1   |   |
| 15   | 0665909965 | Wiper   | 1   |   |
| 16   | 0665070134 | Piston rod seal   | 1   |   |
| 17   | 0663990027 | Beaseal, 159.4 x 162.3 x 3 mm, 6.28 x 6.39 x 0.12 in.         | 2   |   |
| 18   | 0665211303 | O-ring, 149.5 x 3 mm, 5.89 x 0.12 in.                         | 7   |   |
| 19   | 0665070133 | Piston rod seal   | 1   |   |
| 20   | 3315280800 | VALVE RUBBER  | 1   |   |
| 21   | 0663210421 | O-RING  | 2   |   |
| 22   | 0663211506 | O-ring, 151.64 x 1.78 mm , 5.97 x 0.07 in. (70 shore)         | 1   |   |
| 23   | 3315303000 | Scraper ring  | 1   |   |

Mechanical Hydraulic breaker



| Item | Part No.   | Name   | Qty | L |
|------|------------|--|-----|---|
| 1    | -          | Breaker body   | 1   |   |
| 2    | 3315302980 | Bushing, complete  | 1   |   |
| 3    | -          | BUSHING  | 1   |   |
| 4    | 3315303000 | Scraper ring   | 1   |   |
| 5    | 0663210823 | O-ring, 119.5 x 3 mm, 4.70 x 0.12 in.                                    | 4   |   |
| 6    | 3315302800 | Stop ring  | 1   |   |
| 7    | 0686100009 | Plug, Ø10 mm, Ø0.39 in.  | 2   |   |
| 8    | 0686644207 | PLUG   | 7   |   |
| 9    | 3315395200 | Water Nossle   | 2   |   |
| 10   | 3315319100 | Lock pin   | 1   |   |
| 11   | 0108169129 | Spring pin, option, 16 x 180 mm, 0.63 x 7.09 in.                         | 1   |   |
| 12   | 3315305900 | Tool retainer  | 2   |   |
| 13   | 3315141900 | LOCK BUFFER  | 1   |   |
| 14   | 0686371801 | PLUG   | 4   |   |
| 15   | 3315303500 | COIL SPRING  | 1   |   |
| 16   | 3315303201 | Diaphragm support  | 1   |   |
| 17   | 3315416300 | Diaphragm  | 1   |   |
| 18   | 3315303100 | Diaphragm cover  | 1   |   |
| 19   | 0211196544 | Hexagon socket screw M16 x 50 mm Screw with extra high fatigue strength. | 8   |   |
| 20   | 0686371805 | PLUG   | 1   |   |
| 21   | 3115329002 | SEAL RING  | 1   |   |
| 22   | 0663212000 | O-RING   | 1   |   |
| 23   | 3315366000 | VALVE  | 1   |   |
| 24   | 0663211400 | O-RING   | 1   |   |
| 25   | 0101414000 | PIN  | 1   |   |
| 26   | 3315365800 | PRESS.REL.VALVE  | 1   | A |
| 27   | -          | Pressure relief valve  | 1   |   |
| 28   | 0663212141 | O-RING   | 1   |   |
| 29   | 0663210421 | O-RING   | 1   |   |
| 30   | 0661200401 | BACK-UP RING   | 1   |   |
| 31   | 3315312100 | Control valve  | 1   |   |
| 32   | 0663990026 | Seal ring, 51.3 x 54.3 x 3 mm, 2.02 x 2.14 x 0.12 in.                    | 2   |   |
| 33   | 0663211491 | O-ring, 47.29 x 2.62 mm Polyuretan, 1.86 x 0.10 in.                      | 1   |   |
| 34   | 3315362820 | Valve cover  | 1   |   |
| 35   | 0580001476 | PIPE COUPLING  | 1   |   |
| 36   | -          | NIPPLE   | 1   |   |
| 37   | 0664000005 | Sealing ring, 29.70 x 35.70 x 1.50 mm, 1.17 x 1.41 x 0.06 in.            | 1   |   |

Refer to the DocMine web page for most up-to-date information. The printed information might be outdated.

Thu Apr 21 06:46:30 UTC 2022

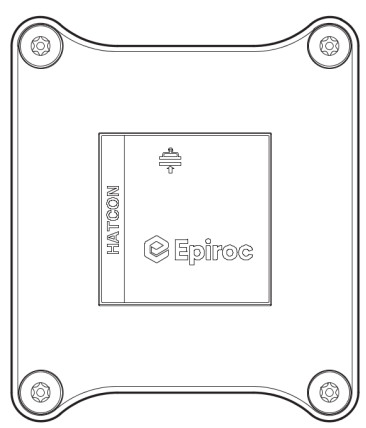
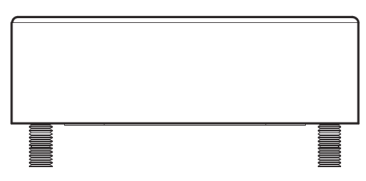
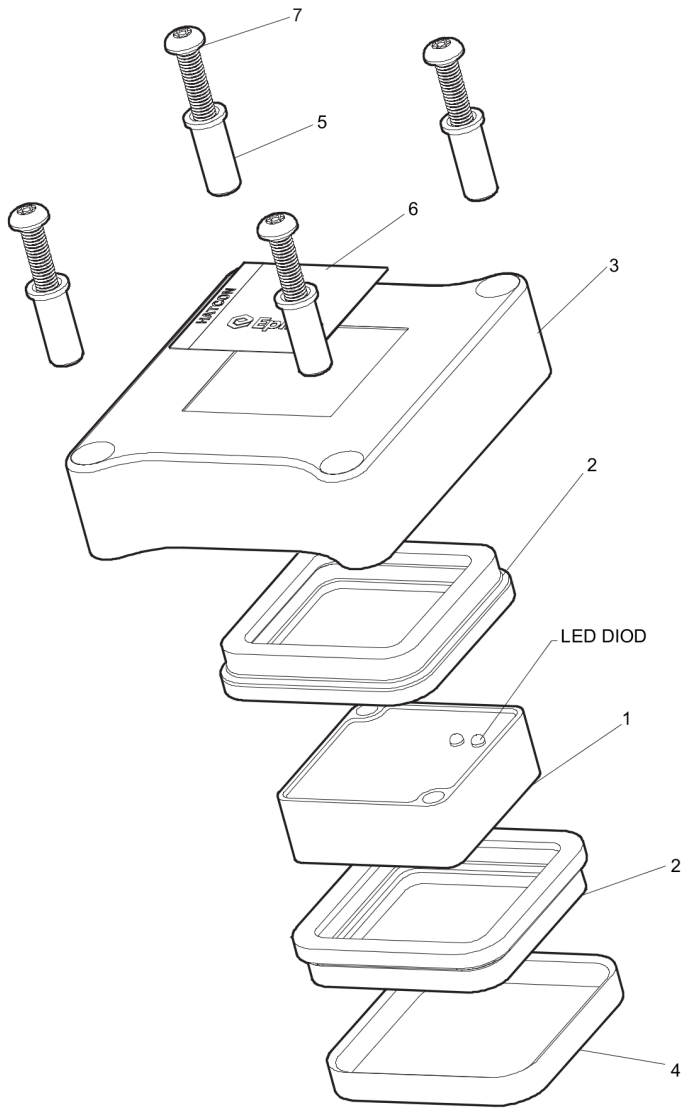
| Item | Part No.   | Name  | Qty | L |
|------|------------|---|-----|---|
| 39   | 0686925030 | Cap   | 2   |   |
| 41   | 3315336700 | PLUG  | 1   |   |
| 42   | 3360433774 | Grease nipple   | 1   |   |
| 43   | 3315369655 | Restrictor standard, complete                         | 1   |   |
| 44   | --         | Restrictor, standard, Ø7.7 mm, Ø0.3 in.               | 1   |   |
| 45   | 0663210421 | O-RING  | 1   |   |
| 46   | 0663212141 | O-RING  | 1   |   |
| 47   | 0665909965 | Wiper   | 1   |   |
| 48   | 0665070134 | Piston rod seal                                       | 1   |   |
| 49   | 0663990027 | Beaseal, 159.4 x 162.3 x 3 mm, 6.28 x 6.39 x 0.12 in. | 2   |   |
| 50   | 3315302500 | Liner   | 1   |   |
| 51   | 0663211303 | O-ring, 149.5 x 3 mm, 5.89 x 0.12 in.                 | 7   |   |
| 52   | 0663211506 | O-ring, 151.64 x 1.78 mm , 5.97 x 0.07 in. (70 shore) | 1   |   |
| 53   | 3315302400 | Piston  | 1   |   |
| 54   | 0665070133 | Piston rod seal                                       | 1   |   |
| 55   | 3315303410 | Back head   | 1   |   |
| 56   | 0147155503 | SCREW, HEX HEAD                                       | 8   |   |
| 57   | 3315244881 | CHECK VALVE   | 1   |   |
| 58   | --         | Check valve   | 1   |   |
| 59   | 3315280800 | VALVE RUBBER  | 1   |   |
| 60   | 3315307700 | Base plate  | 1   |   |
| 61   | 3315323990 | Bolt kit  | 1   |   |
| 62   | --         | Screw   | 14  |   |
| 63   | --         | Nut, M20  | 14  |   |
| 64   | 0211110495 | M20x80  | 2   |   |
| 65   | 3315439145 | Protective plug HATCON                                | 4   |   |
| 66   |            | Product label HATCON                                  | 1   |   |

Comments for Page: Hydraulic breaker

A | CAS No. see chapter "Environmental Product Compliance - REACH Declaration"

This page intentionally left blank

Mechanical HATCON (Horizontal)

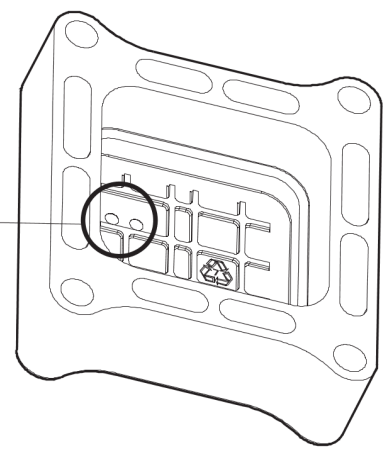


DETAIL A



Horizontal mounted.  
Match diods on POS.1 to  
match the recess marked H on POS .3

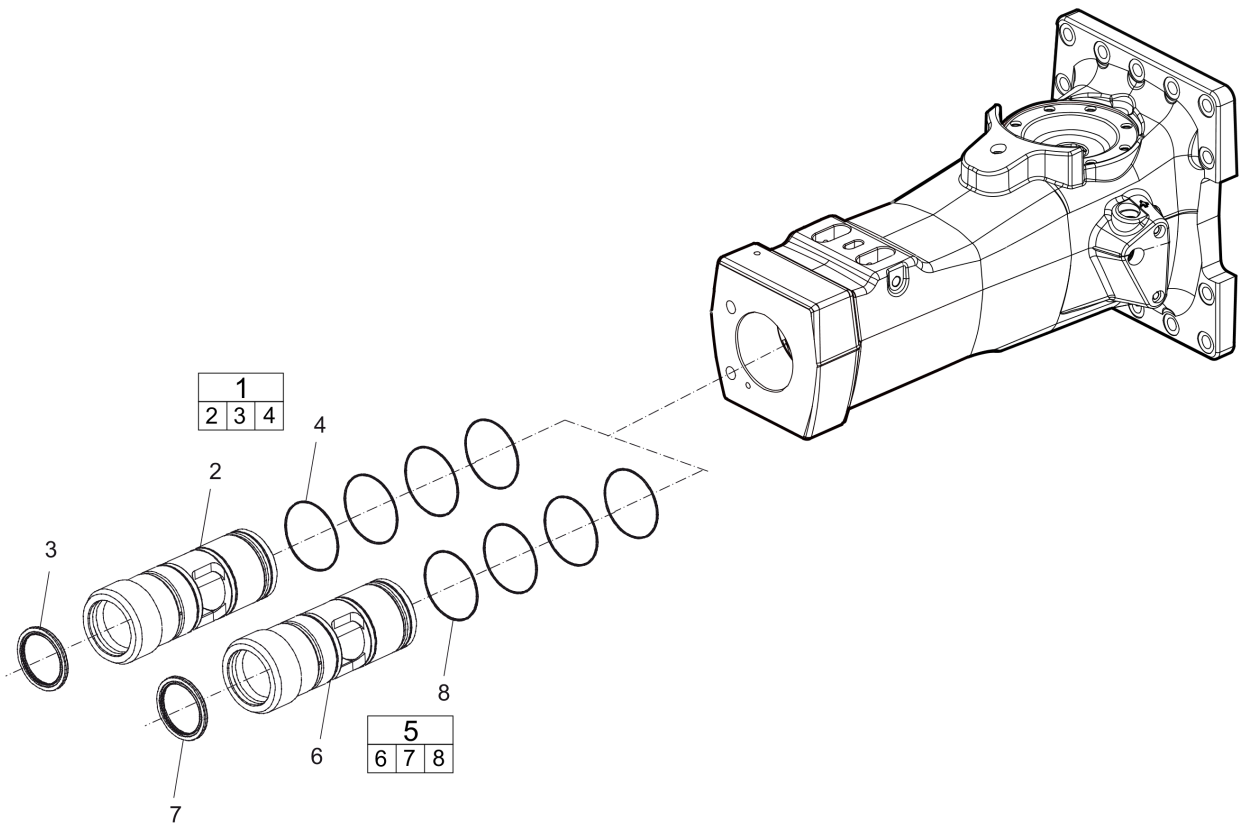
SEE DETAIL A





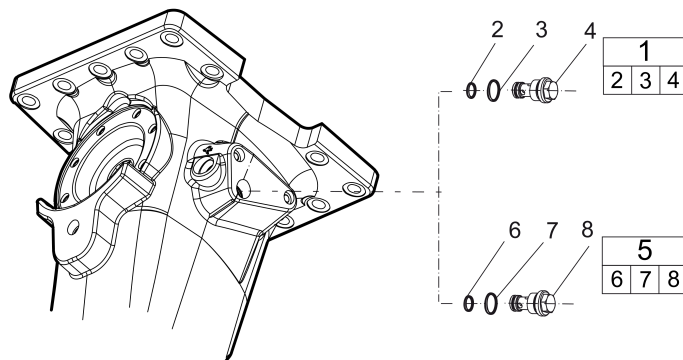
| Item | Part No.   | Name                   | Qty | L |
|------|------------|------------------------|-----|---|
| 1    |            | Tracking module HATCON | 1   |   |
| 2    | 3315439130 | Damper HATCON          | 2   |   |
| 3    | 3315439118 | Housing type 4 HATCON  | 1   |   |
| 4    | 3315439140 | Lock ring HATCON       | 1   |   |
| 5    | 3315439120 | Sleeve HATCON          | 4   |   |
| 6    | 3315439100 | Product label HATCON   | 1   |   |
| 7    | 3315442600 | Screw HATCON           | 4   |   |

Mechanical Optional parts - Bushing oversize, complete



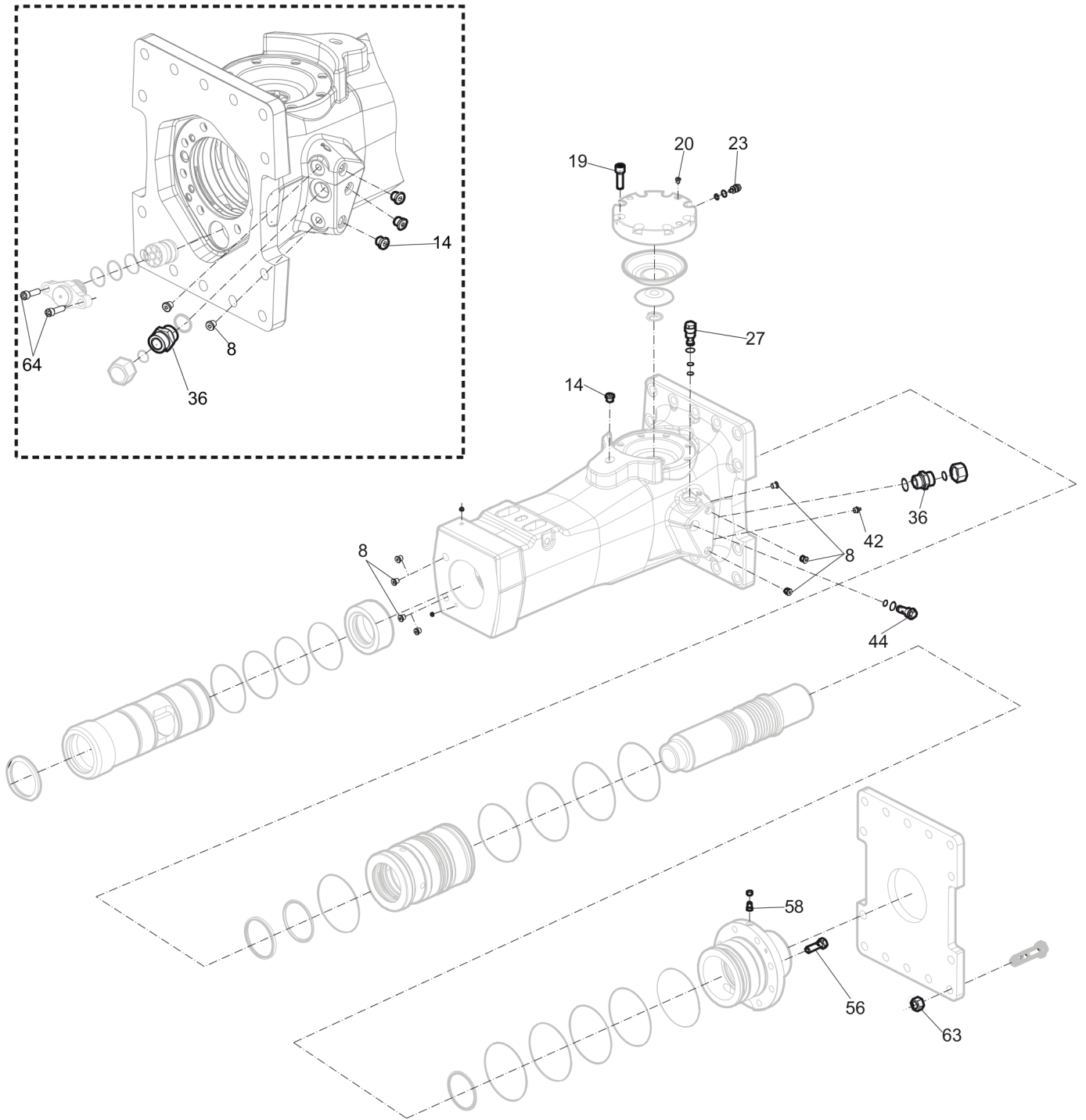
| Item | Part No.   | Name                                  | Qty | L |
|------|------------|---------------------------------------|-----|---|
| 1    | 3315302960 | Bushing oversize, complete            | 1   |   |
| 2    | --         | Bushing, Ø 135.5 mm, Ø 5.33 in.       | 1   |   |
| 3    | 3315303000 | Scraper ring                          | 1   |   |
| 4    | 0663210823 | O-ring, 119.5 x 3 mm, 4.70 x 0.12 in. | 4   |   |
| 5    | 3315302963 | Bushing oversize, complete            | 1   |   |
| 6    | --         | Bushing, Ø 137 mm, Ø 5.39 in.         | 1   |   |
| 7    | 3315303000 | Scraper ring                          | 1   |   |
| 8    | 0663210823 | O-ring, 119.5 x 3 mm, 4.70 x 0.12 in. | 4   |   |

Mechanical Optional parts - Restrictor, complete



| Item | Part No.   | Name                           | Qty | L |
|------|------------|--------------------------------|-----|---|
| 1    | 3315369635 | Restrictor, complete           | 1   |   |
| 2    | 0663210421 | O-RING                         | 1   |   |
| 3    | 0663212141 | O-RING                         | 1   |   |
| 4    | -          | Restrictor, Ø6.0 mm, Ø0.24 in. | 1   |   |
| 5    | 3315369645 | Restrictor, complete           | 1   |   |
| 6    | 0663210421 | O-RING                         | 1   |   |
| 7    | 0663212141 | O-RING                         | 1   |   |
| 8    | -          | Restrictor, Ø6.7 mm, Ø0.26 in. | 1   |   |

Mechanical Tightening torque

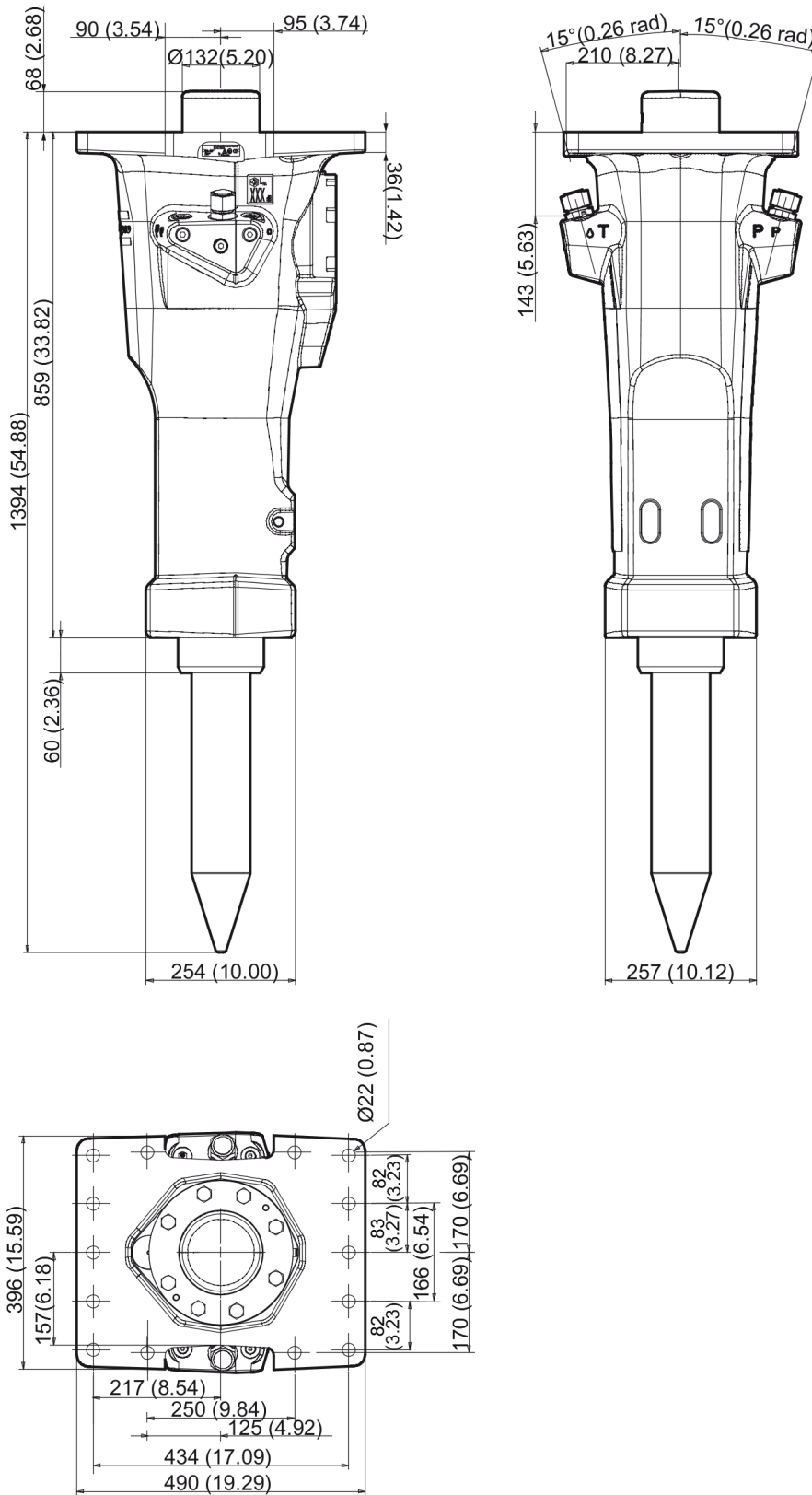


Refer to the DocMine web page for most up-to-date information. The printed information might be outdated.

Thu Apr 21 06:46:35 UTC 2022

| Item | Part No. | Name   | Qty | L |
|------|----------|--|-----|---|
| 8    | -        | Plug - 30 Nm, use LOCTITE® 243™              | -   |   |
| 14   | -        | Plug - 80 Nm, use LOCTITE® 243™              | -   |   |
| 19   | -        | Hexagon socket screw - 300 Nm, use Molykote® | -   |   |
| 20   | -        | Plug - 20 Nm                                 | -   |   |
| 23   | -        | Charge valve - 27 Nm                         | -   |   |
| 27   | -        | Pressure relief valve - 80 Nm                | -   |   |
| 36   | -        | Nipple - 315 Nm                              | -   |   |
| 42   | -        | Grease nipple - 30 Nm                        | -   |   |
| 44   | -        | Restrictor, standard - 80 Nm                 | -   |   |
| 56   | -        | Hexagon head screw - 315 Nm, use Molykote®   | -   |   |
| 58   | -        | Check valve - 30 Nm, use LOCTITE® 243™       | -   |   |
| 63   | -        | Nut - 400 Nm, use Molykote®                  | -   |   |
| 64   | -        | Screw - 615 Nm, use Molykote®                | -   |   |

Mechanical Dimensions (mm)

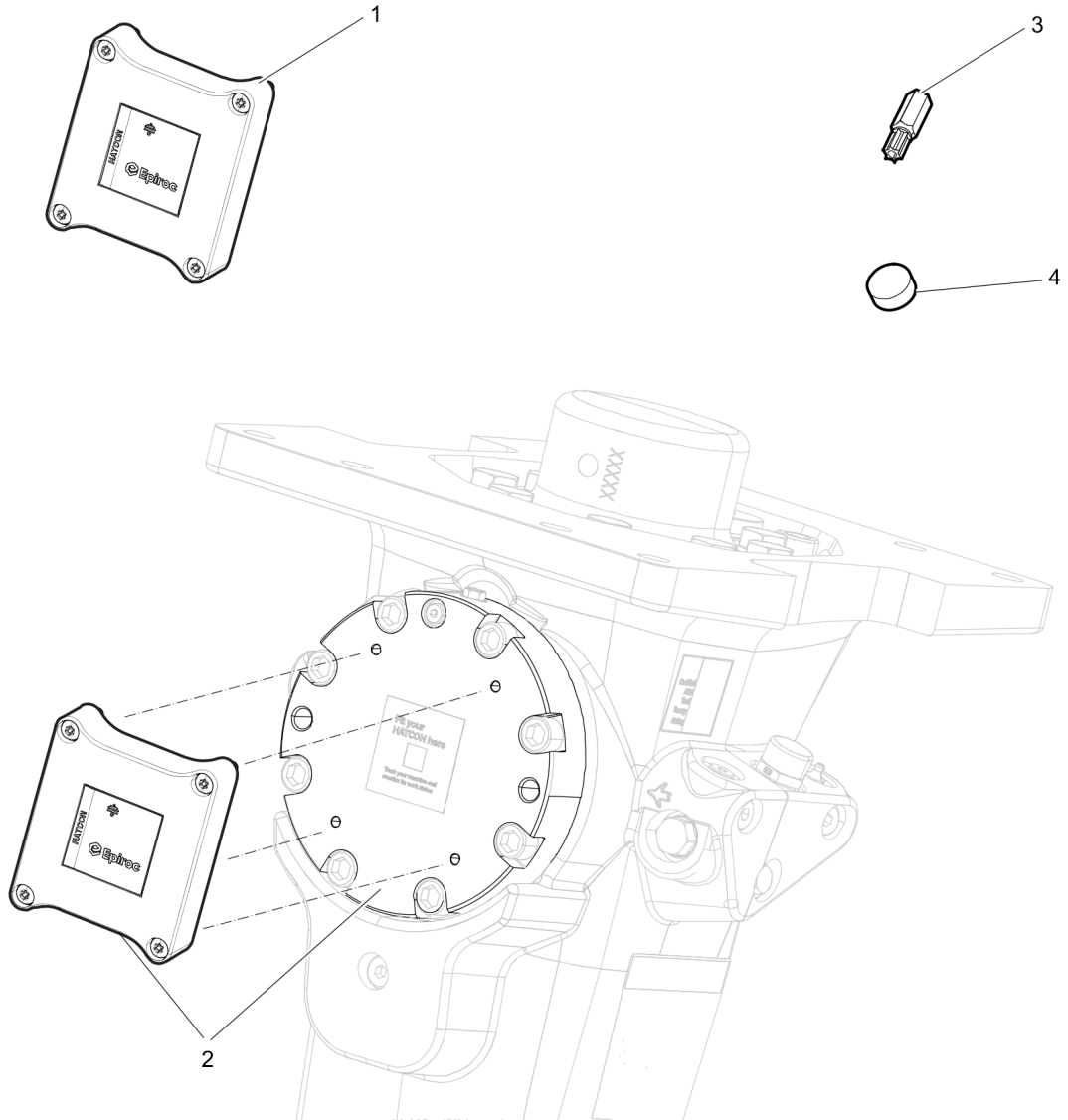


Refer to the DocMine web page for most up-to-date information. The printed information might be outdated.  
Thu Apr 21 06:46:35 UTC 2022



This page intentionally left blank

Options/accessories Retrofit



| Item | Part No.   | Name                          | Qty | L |
|------|------------|-------------------------------|-----|---|
| 1    | 3315442504 | HATCON KIT 4 2G/3G            | 1   | A |
| 1    | 3315442523 | HATCON KIT 4 (LTE, 2G/4G)     | 1   | A |
| 2    | 3315442515 | Retrofit kit with accumulator | 1   | B |
| 3    | 3315439105 | Security bit HATCON           | 1   |   |
| 4    | 3315439106 | Magnet HATCON                 | 1   |   |

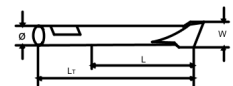
Comments for Page: Retrofit

A | Valid from BES125892

B | Valid before BES125891

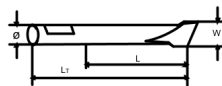
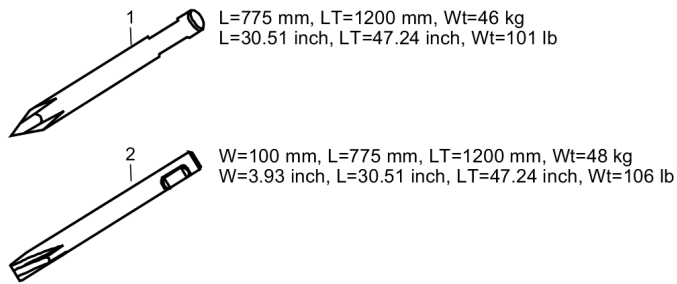
Options/accessories Working tools ClassicLine

|  |  |
|--|--|
|  | <p>L=495 mm, LT=920 mm, Wt=49 kg<br/>L=19.5 inch, LT=36.22 inch, Wt=108 lb</p>                         |
|  | <p>W= 100 mm, L=495 mm, LT=920 mm, Wt=51 kg<br/>W=3.93 inch, L=19.5 inch, LT=36.22 inch, Wt=112 lb</p> |
|  | <p>L=495 mm, LT=920 mm, Wt=53 kg<br/>L=19.5 inch, LT=36.22 inch, Wt=117 lb</p>                         |
|  | <p>W=180 mm, L=495 mm, LT=920 mm, Wt=52 kg<br/>W=7.09 inch, L=19.5 inch, LT=36.22 inch, Wt=115 lb</p>  |
|  | <p>W=180 mm, L=475 mm, LT=800 mm, Wt=52 kg<br/>W=7.09 inch, L=18.7 inch, LT=31.5 inch, Wt=115 lb</p>   |
|  | <p>W=200 mm, L=475 mm, LT=850 mm, Wt=52 kg<br/>W=7.87 inch, L=18.7 inch, LT=33.5 inch, Wt=115 lb</p>   |
|  | <p>W= 200 L=475 mm, LT=850 mm, Wt=39 kg<br/>W=7.87 inch, L=18.7 inch, LT=33.5 inch, Wt=86 lb</p>       |
|  | <p>LT=900 mm, Wt=53 kg<br/>LT=35.4 inch, Wt=117 lb</p>   |
|  | <p>W=Ø400 mm, Wt= 80 kg<br/>W=Ø15.75 inch, Wt= 176 kg</p>  |
|  | <p>W=Ø200 mm, Wt= 33 kg<br/>W=Ø7.87 inch, Wt= 73 lb</p>  |
|  | <p>W= Ø150 mm, Wt=26 kg<br/>W=Ø5.90 inch, Wt= 57 lb</p>  |
|  | <p>W=Ø190 mm, Wt=30 kg<br/>W=Ø7.48 inch, Wt= 66 lb</p>   |



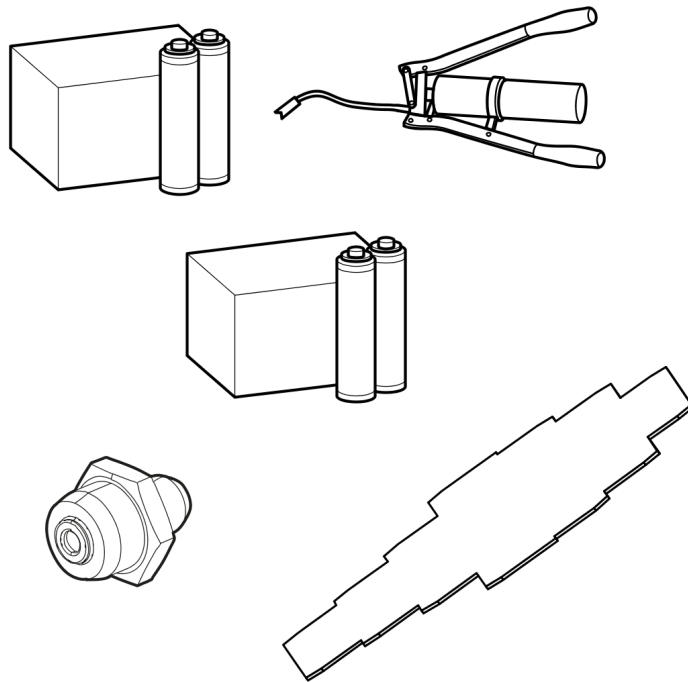
| Item | Part No.   | Name                      | Qty | L |
|------|------------|---------------------------|-----|---|
| 1    | 3083340915 | Moil point                | 1   |   |
| 2    | 3083340916 | Chisel (cross)            | 1   |   |
| 3    | 3083340917 | Blunt tool                | 1   |   |
| 4    | 3083340924 | Wide chisel (cross)       | 1   |   |
| 5    | 3083340925 | Wide chisel (parallel)    | 1   |   |
| 6    | 3083340942 | Asphalt cutter (cross)    | 1   |   |
| 7    | 3083340943 | Asphalt cutter (parallel) | 1   |   |
| 8    | 3315370505 | Shaft                     | 1   |   |
| 9    | 3315371200 | Tamping pad (square)      | 1   |   |
| 10   | 3315372000 | Post driver pad (round)   | 1   |   |
| 11   | 3315372600 | Pile driver pad (round)   | 1   |   |
| 12   | 3315373200 | Bushing pad (round)       | 1   |   |

Options/accessories Working tools ProLine



| Item | Part No.   | Name                   | Qty | L |
|------|------------|------------------------|-----|---|
| 1    | 3363120269 | Moil point (X-profile) | 1   |   |
| 2    | 3363120270 | Chisel (X-profile)     | 1   |   |

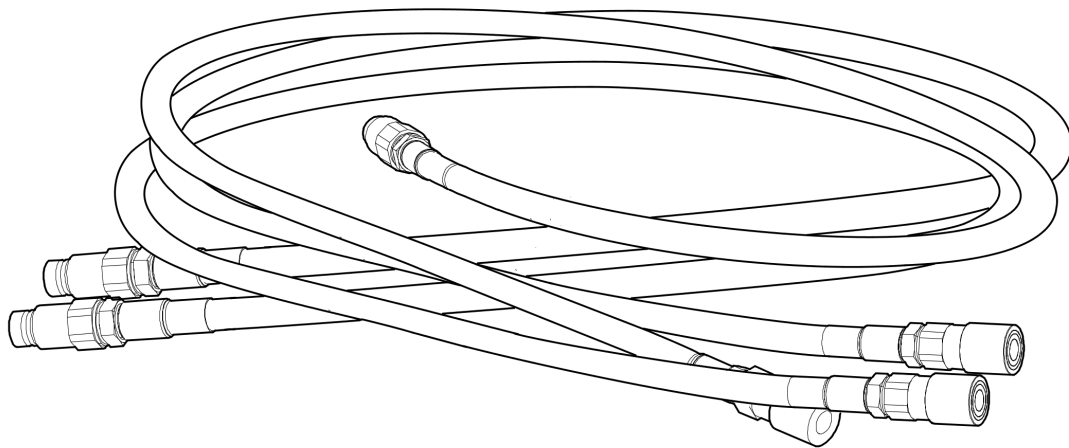
Options/accessories Optional equipment





| Item | Part No.   | Name   | Qty | L |
|------|------------|--|-----|---|
| -    | 3315303891 | ContiLube II Micro   | 1   |   |
| -    | 0909107100 | LUBRICAT.GUN   | 1   |   |
| -    | 3363122354 | BIO Chisel paste, 20 x 150 g                                     | 1   |   |
| -    | 3363122355 | BIO Chisel paste cartridge for grease gun, 12 x 400 g (0.88 lbs) | 1   |   |
| -    | 3363122357 | BIO Chisel paste container (15 kg)                               | 1   |   |
| -    | 3363122358 | BIO Chisel paste container (45 kg)                               | 1   |   |
| -    | 3360920415 | Filling device for accumulator                                   | 1   |   |
| -    | 3363094459 | Nipple, for charging the accumulator                             | 1   |   |
| -    | 3361329803 | Filling hose for charging the accumulator                        | 1   |   |
| -    | 3315353100 | Bushing wear controller  | 1   |   |

Options/accessories Hydraulic hoses



| Item | Part No.   | Name   | Qty | L |
|------|------------|--|-----|---|
| -    | 3360332294 | Hydraulic hose, I.D. 20 (0.79 in.), both ends M36 x 2 mm conical seal 24°, length 2,300 mm (90.5 in.)  | 2   |   |
| -    | 3363085947 | Hydraulic hose, I.D. 20 (0.79 in.), both ends M36 x 2 mm conical seal 24°, length 2,800 mm (110.2 in.) | 2   |   |
| -    | 3363094964 | Additional fitting kit (needed to fit two hoses to the hydraulic breaker)                              | 1   |   |

Annex Environmental Product Compliance - REACH Declaration

NO EXPLODED VIEW  
AVAILABLE  
FOR THIS BOM

| Item | Part No. | Name   | Qty | L |
|------|----------|--|-----|---|
| 26   | -        | Pressure relief valve, complete, Part No. 3315365800 - CAS No. 7439-92-1 | -   |   |

Comments for Page: Environmental Product Compliance - REACH Declaration

EU REACH Candidate List substances present in product listed above.





Any unauthorized use or copying of the contents or any part thereof is prohibited.  
This applies in particular to trademarks, model denominations, part numbers, and drawings.