



Husqvarna®

**REDEFINE YOUR POTENTIAL
WITH THE NEW DXR RANGE**

DEMOLITION EQUIPMENT BY HUSQVARNA

FOR A BETTER WAY OF WORKING

DXR

DXR 145/275/305/315





MORE CONTROL | MORE POWER | MORE YOU

Your potential is our driving force. It inspires us to design technology that develops your professional skills. You know exactly how to get the job done – and our solutions let you to do it smarter, safer and with new levels of power. We're proud to present a whole new range of Husqvarna DXR robots that give you much more than power. Get ready to experience control like never before.

MORE CONTROL

FOR FULL CONFIDENCE.

Precision and safer operations are important. With its all-new remote control, our new range gives you freedom and full control, even at longer distances. Take your skills to a whole new level.





LIVE OPERATING SURVEILLANCE

The remote control delivers live information about machine status, incoming per phase current and voltage, temperature as well as active faults and operating time without the need of external measuring equipment. For instant machine status, increased uptime and productivity.



HIGH-END LCD SCREEN

Enables a pleasant experience and good operational control with high level of intuitive user-friendliness with large screen, optimised viewing angle and adaptable to dark and bright surroundings.



LONG-DISTANCE REMOTE CONNECTION

Enables you to work remote-controlled in the most challenging areas up to a distance of 300 m.



QUICK-SWITCH WORK / TRANSPORTATION MODE

Switch quickly and easily between transport and work mode. Choose between three transportation modes.



JOYSTICK THUMB SWITCHES

Thumb switches on each joystick with customised functionality set by the operator. Enables a driving experience with more flexibility, precision and efficiency.



ERGONOMIC HARNESS OR BELT

Choose between belt and ergonomic harness for great ergonomics.

MORE POWER

WHEN YOU NEED IT.

The new DXR range gives you much more than the power you need – it empowers you with more confidence and trust to help you get the job done.

MORE POWER AND PERFORMANCE

The electrical power* has increased, more than 20% in average on all four DXR models. Hydraulic flow** is over 10% higher. This enables faster cutting, crushing and breaking, letting you get the job done faster.

+20%*



>10% OVER 10% HIGHER
HYDRAULIC FLOW**

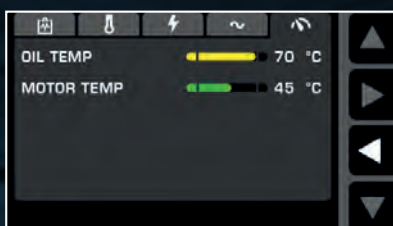
OPTIMISED POWER

Machine performance is always optimised under all working conditions, which means operators can work with efficiency in performance in various demanding and hot environments.



POWER MONITOR

See machine status in real-time on the display of the remote. This will help you to monitor the available power at hand.



THIRD PARTY CERTIFIED

All models are third party certified in regards to safety, EMC and functional safety.

SAFETY ✓

EMC ✓

FUNCTIONAL SAFETY ✓

MORE YOU

DXR – more power and control in good harmony. Our new DXR robots are the tools that enable you to work more efficiently. To help you achieve this, we've optimised the available power for work in hot and demanding environments and developed an all-new remote control. In combination with the skills you already have, our new machines will provide more power, more control and ultimately, high quality results. Let the new DXR range redefine the potential of the person operating them – you.

THE NEW DXR RANGE

- ✓ Increased power and performance across all our four DXR models*.
- ✓ A high-tech remote control unit facilitates more ergonomic and intuitive operation.
- ✓ All models are third party certified in regards to safety, EMC and functional safety.
- ✓ Global service and support organisation at the forefront of the construction industry.





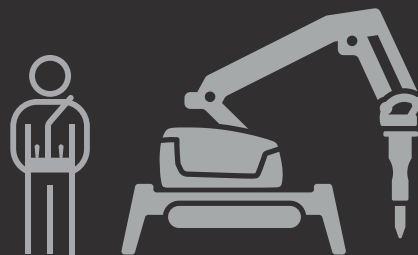
WORK SMARTER



DXR – A SMART SOLUTION

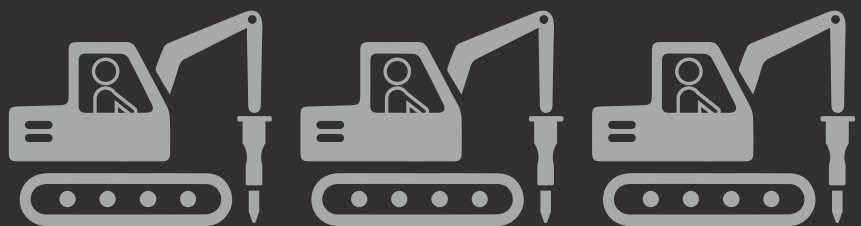
Why put in more effort and resources when a robot could do the work for you? With raw power and admirable precision, one DXR and one operator can outperform many of the set-ups you see at demolition job sites. Furthermore, a DXR is much more compact than an excavator in the same weight class, thus enabling demolition in confined spaces.

1 HUSQVARNA DXR 305



VS.

3 EXCAVATORS*



* Given calculation has been done by comparing hydraulic flow per kilogram machine weight and of the tool for different types of machines towards DXR 305 and should be viewed as indicative only.

BE SAFER

Demolition jobs can be dangerous. Improving operator safety is our foremost priority, and the best way to protect operators from harm is to keep them at distance – thanks to the Husqvarna remote control technology, up to 300 meters.



COLLAPSE RISK



RISK OF FALLING DEBRIS



FALL RISK



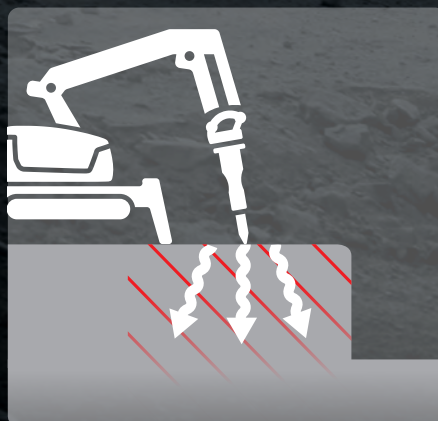
WITH REMOTE OPERATION



DUST



VIBRATIONS



KEEP DISTANCE TO
RISK FACTORS
WITH REMOTE
OPERATION.



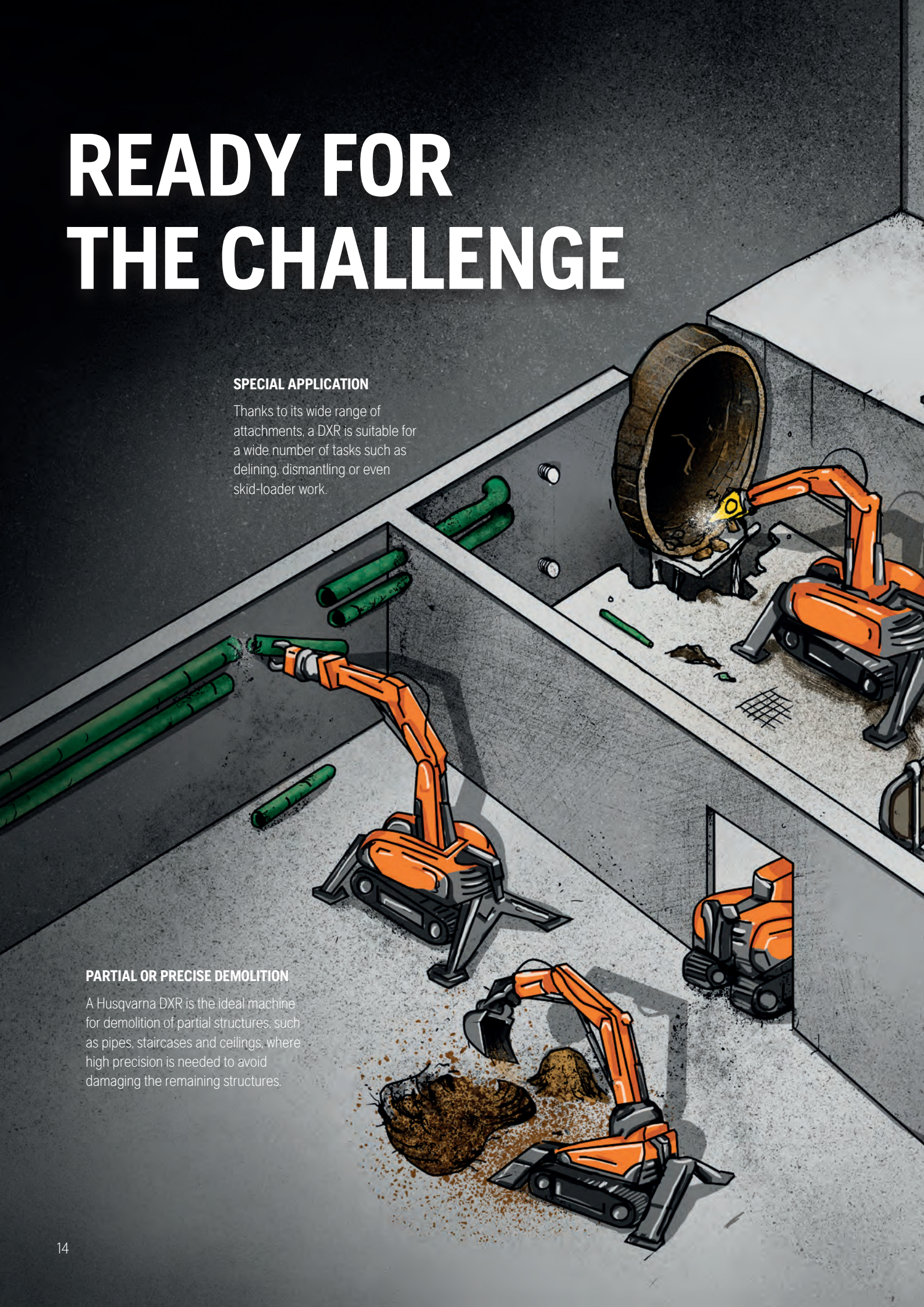
READY FOR THE CHALLENGE

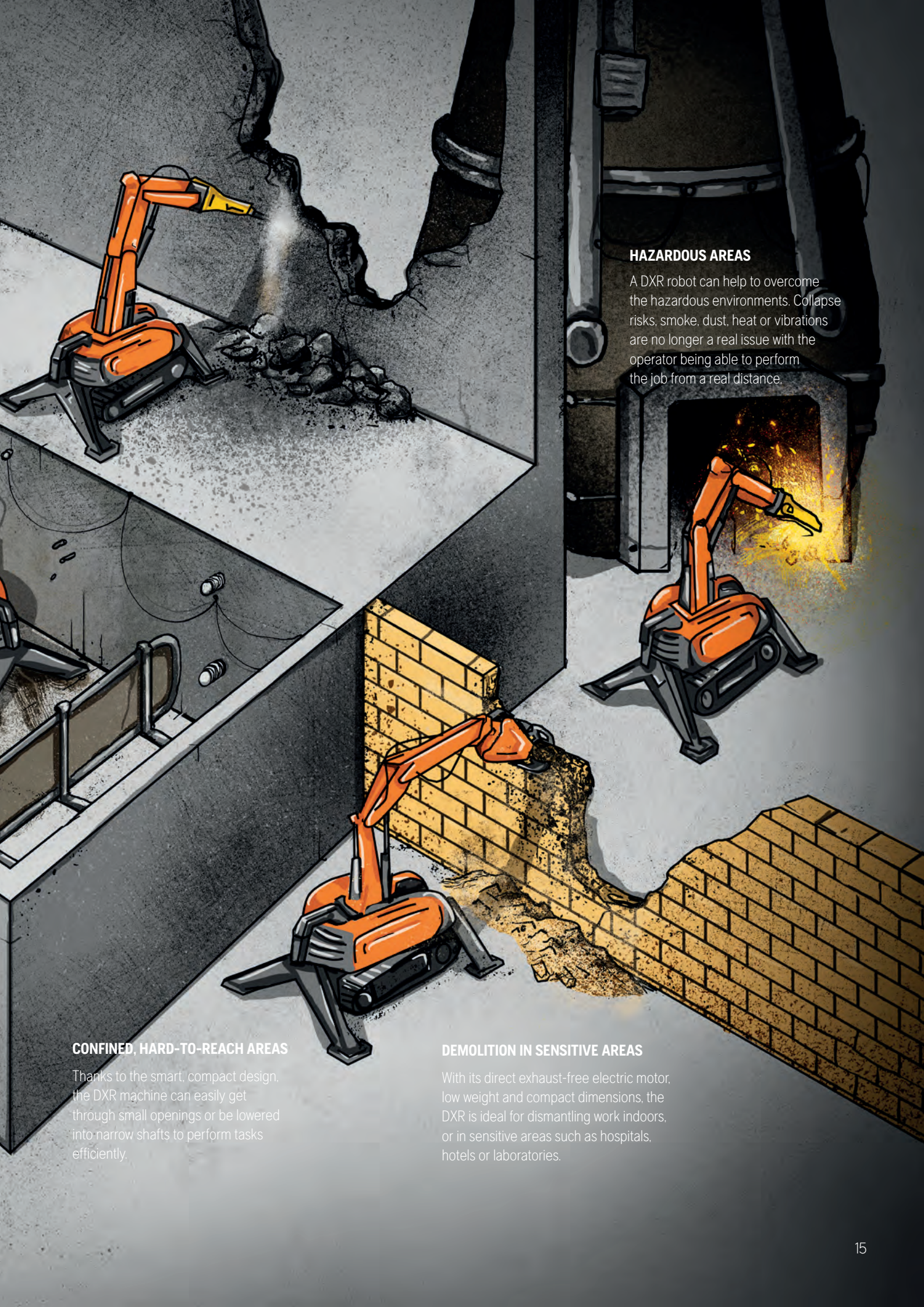
SPECIAL APPLICATION

Thanks to its wide range of attachments, a DXR is suitable for a wide number of tasks such as delimiting, dismantling or even skid-loader work.

PARTIAL OR PRECISE DEMOLITION

A Husqvarna DXR is the ideal machine for demolition of partial structures, such as pipes, staircases and ceilings, where high precision is needed to avoid damaging the remaining structures.





HAZARDOUS AREAS

A DXR robot can help to overcome the hazardous environments. Collapse risks, smoke, dust, heat or vibrations are no longer a real issue with the operator being able to perform the job from a real distance.

CONFINED, HARD-TO-REACH AREAS

Thanks to the smart, compact design, the DXR machine can easily get through small openings or be lowered into narrow shafts to perform tasks efficiently.

DEMOLITION IN SENSITIVE AREAS

With its direct exhaust-free electric motor, low weight and compact dimensions, the DXR is ideal for dismantling work indoors, or in sensitive areas such as hospitals, hotels or laboratories.

THE DIFFERENCE IS IN THE DETAILS

SMOOTH OPERATION

1. Excellent power-to-weight ratio.
2. Unparalleled balance & stability.
3. Full individual control of all arm and outrigger cylinders.
4. Easily adjustable hydraulic parameters.

EASY MAINTENANCE

5. Easy access to key service points.
6. Hydraulic track tension.
7. Error messages and service notifications in plain text and multiple language.
8. Diagnostics of the remote control.





PRECISION AT YOUR FINGERTIPS

- Radio-link 2.4 GHz with untroubled, long reach, up to 300 m.
- Superior control through immediate response.
- Joysticks with convenient thumb switch.
- One-hand transport mode.
- Multiple operator patterns.
- Ergonomic harness + belt option.

5



6



7



8



A MULTI-TOOL T



BUCKET

Transform your DXR into a remote-controlled excavator with standard, narrow or wide buckets.



DRUM CUTTER

Highly productive tool for trenching, surface removal and profiling of rock, concrete and hard soil.



BREAKER

Experience outstanding knocking force with the hydraulic breakers on Husqvarna DXR machines.

NEED TO CHANGE TOOLS? EASY!

The state-of-the-art DXR software automatically adjusts the flow and pressure to any of the above attachments. For tools of other brands, a simple manual adjustment will do.



DO RECKON WITH



MULTI-GRAPPLER

This light-weight and flexible grappler combines high volume with high gripping force.



STEEL SHEARER

Rotating steel shearer with low weight and high shearing force is ideal for powerful precision work in confined spaces.



CRUSHER

For precise and fast demolition of concrete and brick structures, such as walls, staircases and ceilings.

FACTORY INSTALLED FEATURE PACKAGES

P1 EXTENDED HYDRAULIC FUNCTION & CYLINDER PROTECTION



ALLOWS THE OPERATOR TO PRECISELY CONTROL ONE EXTRA HYDRAULIC FUNCTION, SUCH AS AXIAL ROTATION OF GRAPPLERS AND SHEARER. ALSO INCLUDES PROTECTION SHIELDS FOR THE OUTER HYDRAULIC CYLINDERS. AVAILABLE FOR ALL DXR MODELS.

P2 ENHANCED COOLING PACKAGE



ALLOWS THE DXR TO WORK CONTINUOUSLY WITH FULL POWER IN HIGHER AMBIENT TEMPERATURES, ENABLING HIGHER PRODUCTIVITY IN VARIOUS APPLICATIONS SUCH AS CEMENT KILNS AND STEEL FACTORIES. AVAILABLE FOR DXR 275, DXR 305 AND DXR 315.

P3 HEAT PROTECTION PACKAGE



ALLOWS THE DXR TO BE USED FOR DE-SLAGGING IN HOT MELTING PLANTS AND SIMILAR APPLICATIONS. PROTECTS VITAL PARTS FROM DAMAGE CAUSED BY RADIANT HEATING AS WELL AS CONDUCTION HEATING. AVAILABLE FOR DXR 275, DXR 305 AND DXR 315.



Hydraulic kit for extra functions

Cylinder protection kit (C2+C3)

Cooling kit

Hose protection

Fire resistant hydraulic oil

Steel tracks

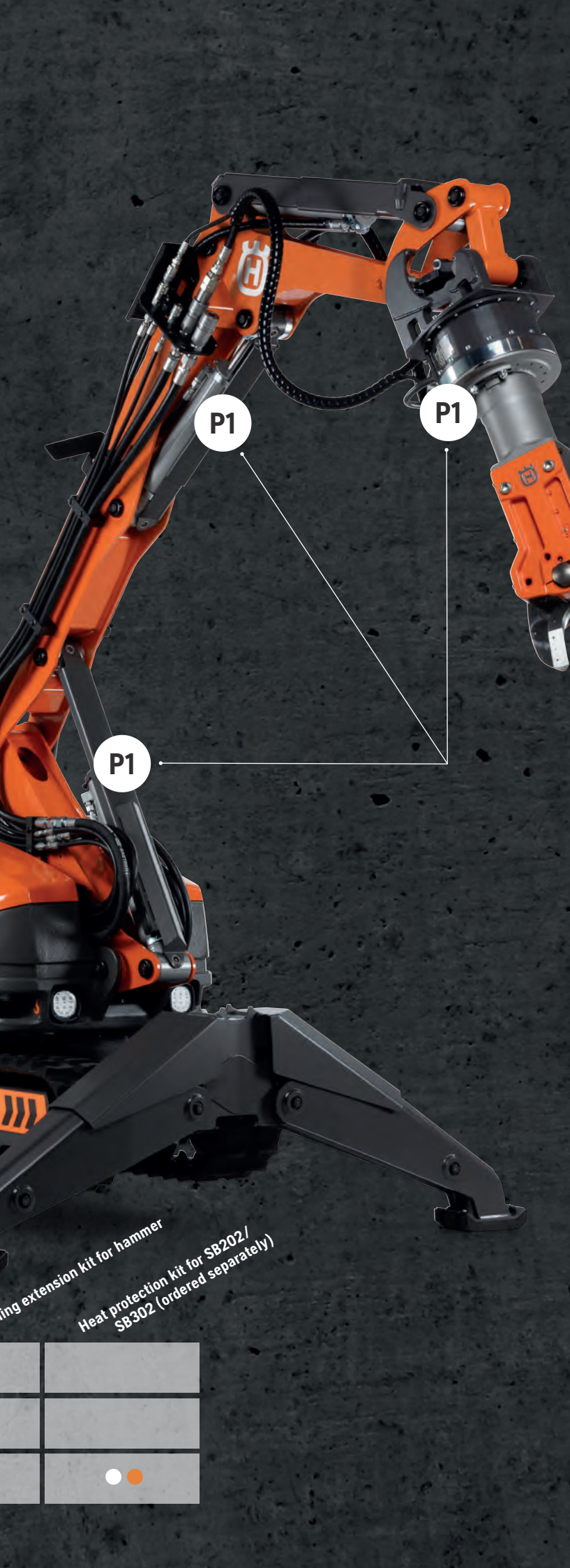
Steel feet

Cooling

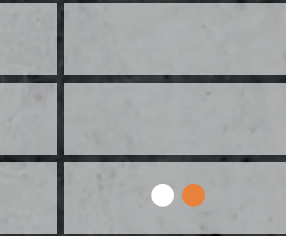
Feature Package	Hydraulic kit for extra functions	Cylinder protection kit (C2+C3)	Cooling kit	Hose protection	Fire resistant hydraulic oil	Steel tracks	Steel feet	Cooling
EXTENDED HYDRAULIC FUNCTION & CYLINDER PROTECTION (P1)	●	●						
ENHANCED COOLING (P2)			●					
HEAT PROTECTION (P3)				●	●	●	●	●

● = Factory installation

● = Aftermarket installation



ing extension kit for hammer
Heat protection kit for SB202/
SB302 (ordered separately)



HOSE PROTECTION
AND FIRE RESISTANT
HYDRAULIC OIL.

COOLING EXTENSION
KIT FOR HAMMER.



HEAT PROTECTION KIT FOR
SB202 / SB302
(ORDERED SEPARATELY).

P3

ADDITIONAL ACCESSORIES



Tool drain kit



Dust reduction kit



Waist belt

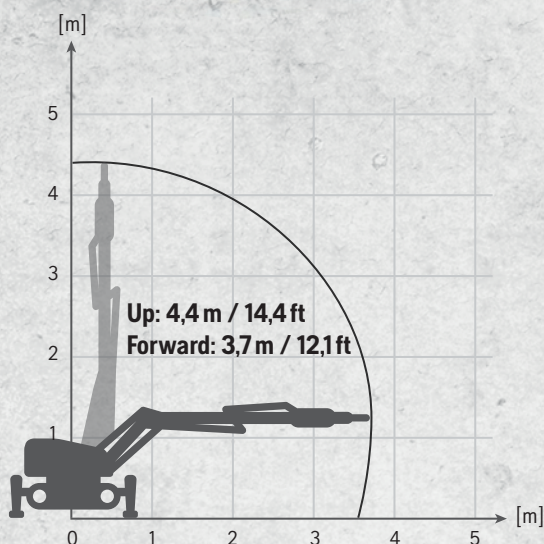


Counter weight

MULTIPLE CHOICES

HUSQVARNA DXR

145



Weight: 985 kg / 2171 lbs.



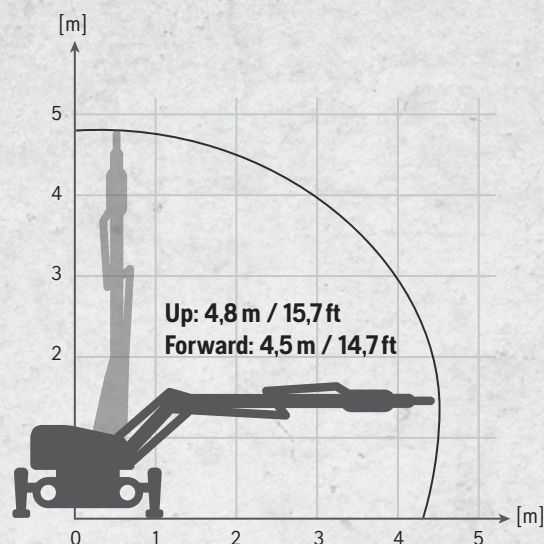
V: 380–420 (50Hz) 440–480 (60 Hz).
A: 32 (50Hz) 30 (60Hz).



Tools – Rec. Max. weight: 200 kg / 441 lbs.

HUSQVARNA DXR

275



Weight: 1750 kg / 3858 lbs.



V: 380–420 (50 Hz) 440–480 (60 Hz).
A: 46 (50 Hz) 39 (60 Hz).



Tools – Rec. Max. weight: 310 kg / 683 lbs.

MAIN FEATURES

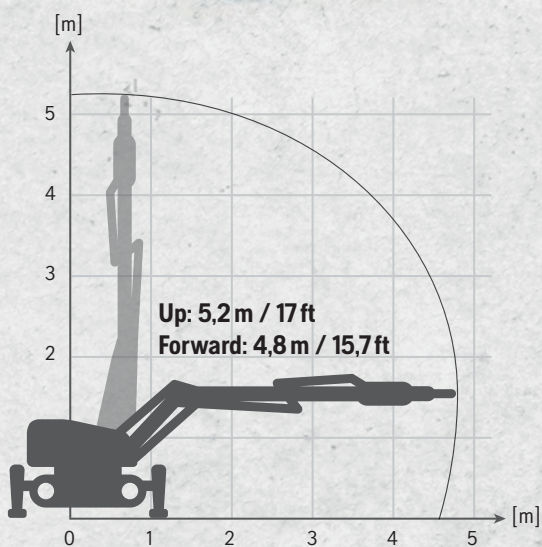
- ✓ Endless 360°+ rotating arm, excellent reach & flexibility.
- ✓ Compact size, fits in a van, elevator & climbs stairs.


Low weight and ground pressure, can be used in areas with limited floor load.


- ✓ Compact & stable.
- ✓ Low weight and ground pressure, can be used in areas with limited floor load.
- ✓ High hitting force.


HUSQVARNA DXR

305



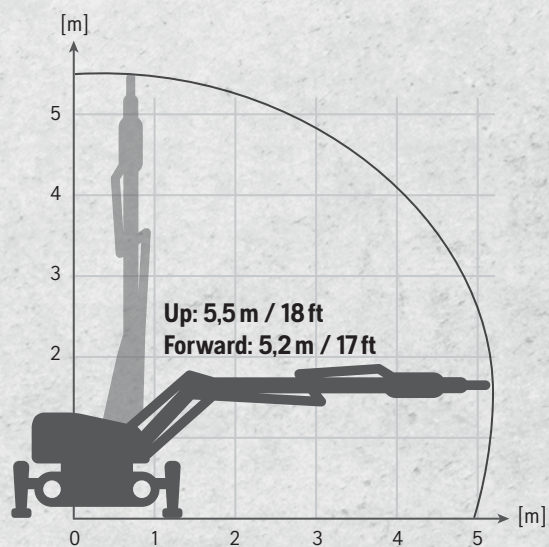
 Weight: 1960 kg / 4321 lbs.


 V: 380–420 (50 Hz) 440–480 (60 Hz)
A: 52 (50 Hz) 44 (60 Hz).


 Tools – Rec. Max. weight: 310 kg / 683 lbs.


HUSQVARNA DXR

315



 Weight: 2020 kg / 4453 lbs.

 V: 380–420 (50 Hz) 440–480 (60 Hz).
A: 52 (50 Hz) 44 (60 Hz).

 Tools – Rec. Max. weight: 310 kg / 683 lbs.

- ✓ High hitting force.
- ✓ Superb power-to-weight ratio.
- ✓ Long fixed arm, durable design with a minimum need of service.

- ✓ Long telescopic arm, max 5.5 m, flexible reach.
- ✓ Precise positioning.
- ✓ High hitting force.



EASY OPERATION

Fast response times, multiple operator patterns, easy service and simple transport. To this we add impressive power-to-weight ratio and PTO capability for truly efficient and adaptable operation.



PRODUCTIVITY INCREASE

The versatile application areas and wide number of tasks performed by a single DXR robot translates into more work done in a shorter period of time, without going to the hassle of switching machines.



HUSQVARNA DXR A WORLD OF BENEFITS



SAFER OPERATION

The DXR can do remote-controlled work in hazardous areas, with low risk to the operator. Electric power equals no direct harmful exhausts. Furthermore, the customisable, ergonomic controls are constructed with the user in focus.



FINANCIAL GAIN

Investing in a DXR demolition robot means you add levels of efficiency and flexibility to your operation.



A PARTNER

YOU CAN TRUST

Your success is our success.

We are here for you before, during and after operation. With service and sales centers all around the world, it is easy to find someone close to you to contact for:

- Application support.
- Spare parts & accessories.
- Service.
- Support on how to grow your business.
- Financing Solutions.
- Husqvarna UpCare.

Husqvarna – for a better way of working.



Husqvarna®





[husqvarnacp.com](https://www.husqvarnacp.com)