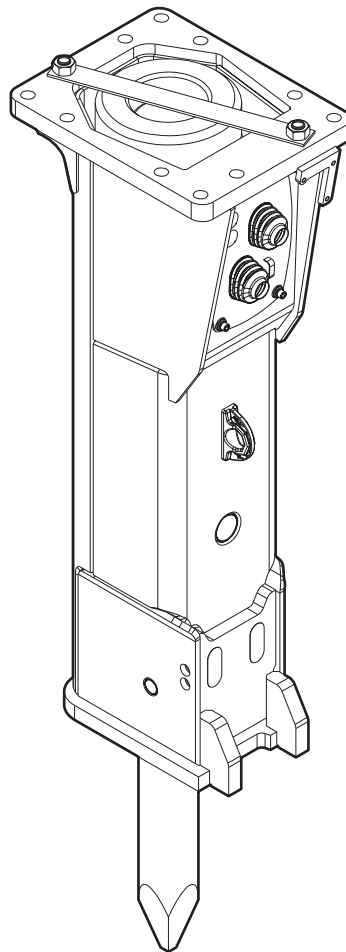


EC 135T

Spare parts list Hydraulic breakers

EC 135T s/n DEQ181205 -



General information

This spare parts list applies to the following:

Part number	Description
3363115609	Hydraulic breaker EC 135T
3363124820	Hydraulic breaker EC 135T with HATCON

Use only authorized parts. Any damage or malfunction caused by the use of unauthorized parts is not covered by Warranty or Product Liability. Any unauthorized use or copying of the contents or any part thereof is prohibited. This applies in particular to trademarks, model denominations, part numbers, and drawings.

Instructions for use

This spare parts list contains no safety regulations and is merely intended to assist in the ordering of spare parts.

For information about operating, servicing, or repairing, the relevant Safety and operating instructions must be consulted at all costs.

Please observe the safety instructions listed in the relevant Safety and operating instructions!

Instructions for ordering

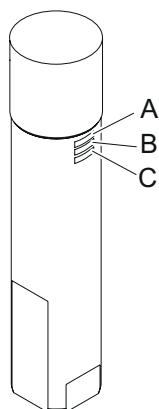
It is essential to indicate the serial number of the hydraulic attachment when ordering spare parts!

Please note the full identification number of your hydraulic attachment.

The code can be found on the main body.

Determine the quantity of individual parts which are required and need to be ordered. The order must indicate the following details:

- full identification code of the hydraulic attachment
- required quantity
- part number
- description



- A. Type
- B. Serial number
- C. Main body number

Service, repair and wear part kits

Label kit 1
Kit list 3

Mechanical

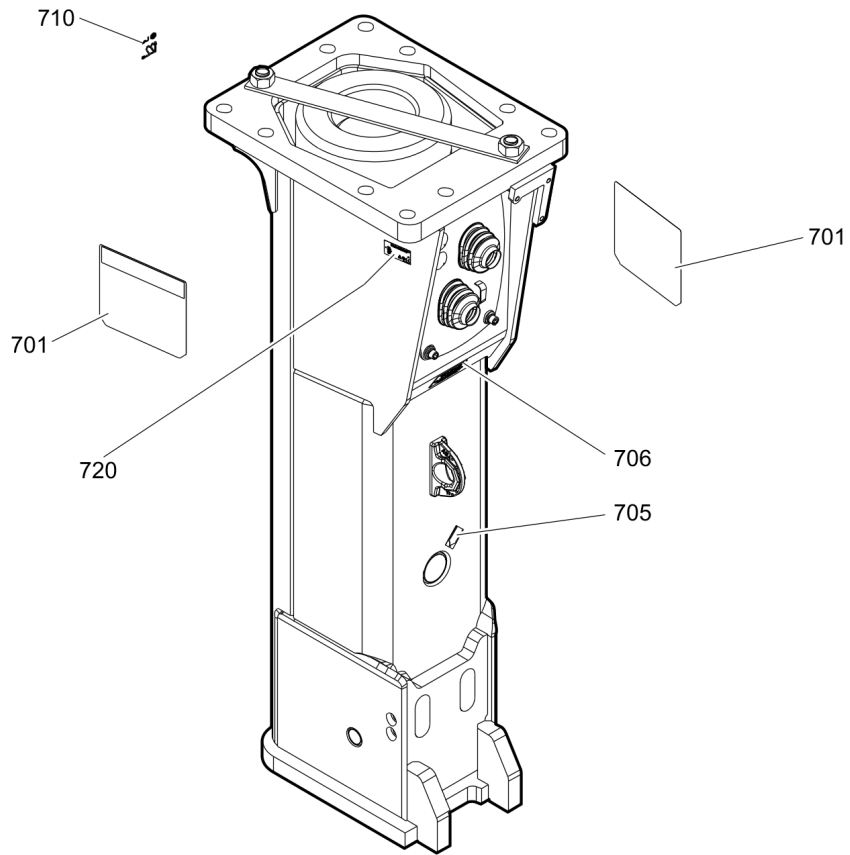
Hydraulic breaker 5
Percussion unit part 1: cover 7
Percussion unit part 2: main body complete 9
HATCON 11
Tightening torques 13
Dimensions 15

Options / accessories

Hydraulic hoses 16
Optional equipment 19
Working tools 21

Service, repair and wear part kits Label kit

700			
701	705	706	710



Item	Part No.	Name	Qty	L
700(701-710)	3363121469	Label kit	1	
701		Label "EC 135 Epiroc"	2	
705		Label - Lubricating symbol	1	
706		Label - Gas pressure	2	
710		Sound power label	1	
720		Name plate - Consult the authorized Customer Center/Dealer in your area.	1	

Service, repair and wear part kits Kit list

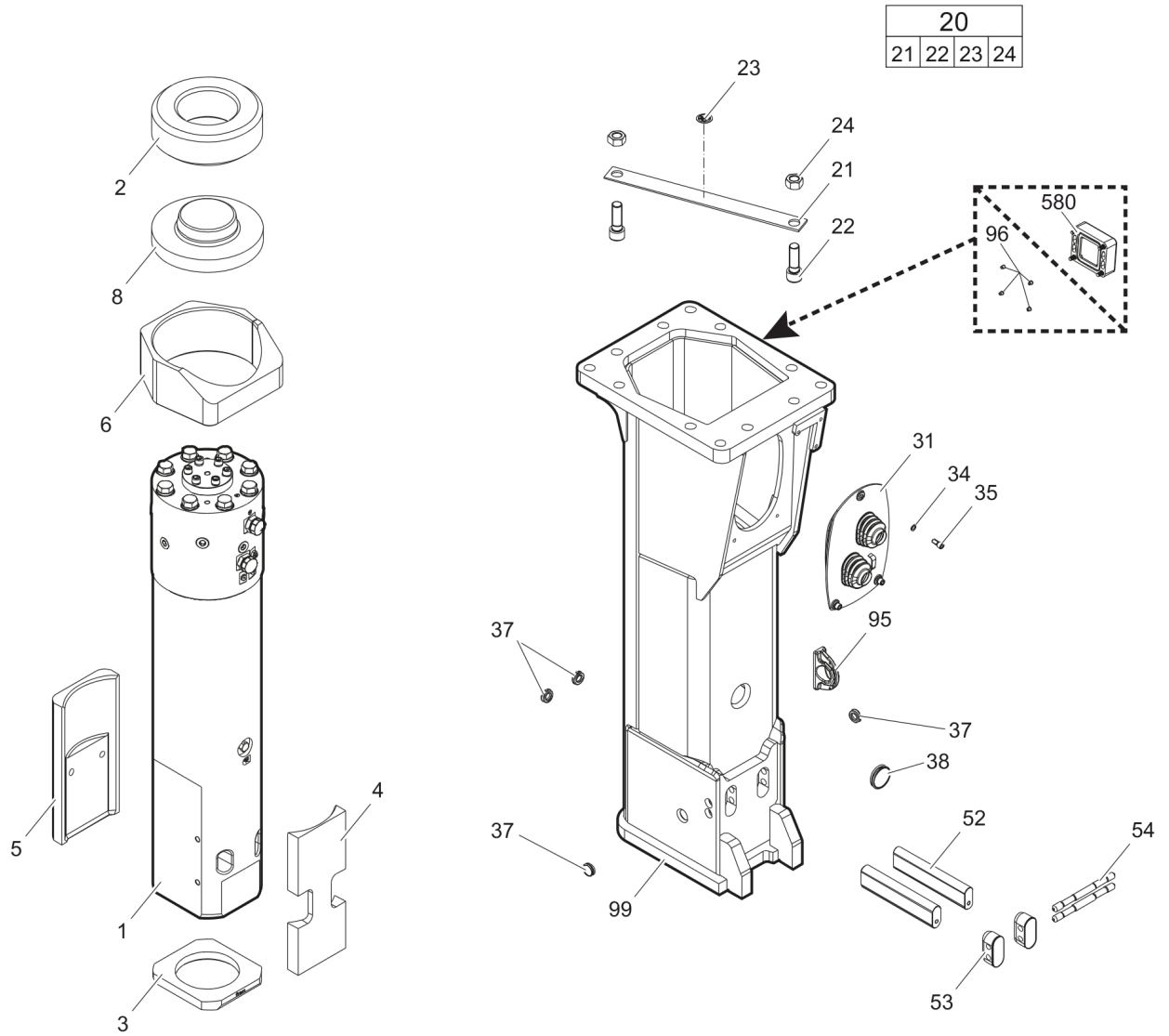
**NO EXPLODED VIEW
AVAILABLE
FOR THIS BOM**

Item	Part No.	Name	Qty	L
KIT	3363110085	Seal kit	1	
101	3361031951	O-ring	2	
107	3363098702	O-ring	1	
160	3360314551	O-ring	2	
182	3360478426	Threaded plug	1	
183	3360175125	O-ring	1	
203	3363098700	Seal	1	
204	3363110027	Seal	6	
291	3363102141	Seal	1	
292	3363102143	Back-up ring	1	
305	3363098705	Wiper	1	
306	3363110029	Stirromatic	8	
307	3362267582	Stirromatic	1	
308	3362267583	Stirromatic	1	
386	3363110076	O-ring	2	
391	3363102145	Seal	1	
392	3363102147	Back-up ring	1	

Refer to the DocMine web page for most up-to-date information. The printed information might be outdated.

Wed Feb 03 12:14:18 UTC 2021

Mechanical Hydraulic breaker



Item	Part No.	Name	Qty	L
1		Percussion unit	1	A
2	3363105141	Elastic pad	1	
3	3363122756	Shock absorber	1	
4	3363115013	Guide plate	1	
5	3363115908	Guide plate	1	
6	3363115909	Guide ring	1	
8	3363105995	Cap	1	
20(21-24)	3363083416	Transport safety device complete	1	
21		Transport safety device	1	
22	3360026883	Allen screw	2	
23	3363091872	Label transport safety device	1	
24	3360103254	Nut	2	
31	3363115916	Cover	1	
34	3361850596	Pair of lock washers	3	
35	3360103750	Allen screw	3	
37	3362267897	Plug	4	
38	3362267893	Plug	1	
52	3363114768	Retainer bar	2	
53	3363114673	Plug	2	
54	3363114778	Bolt	2	
95	3363111994	Lifting eye	1	B
96	3315439145	Protective plug HATCON	4	C
99	3363115898	Breaker box	1	D
580		HATCON	1	E

Comments for Page: Hydraulic breaker

(L)OCAL REMARKS

A | see separate chapter

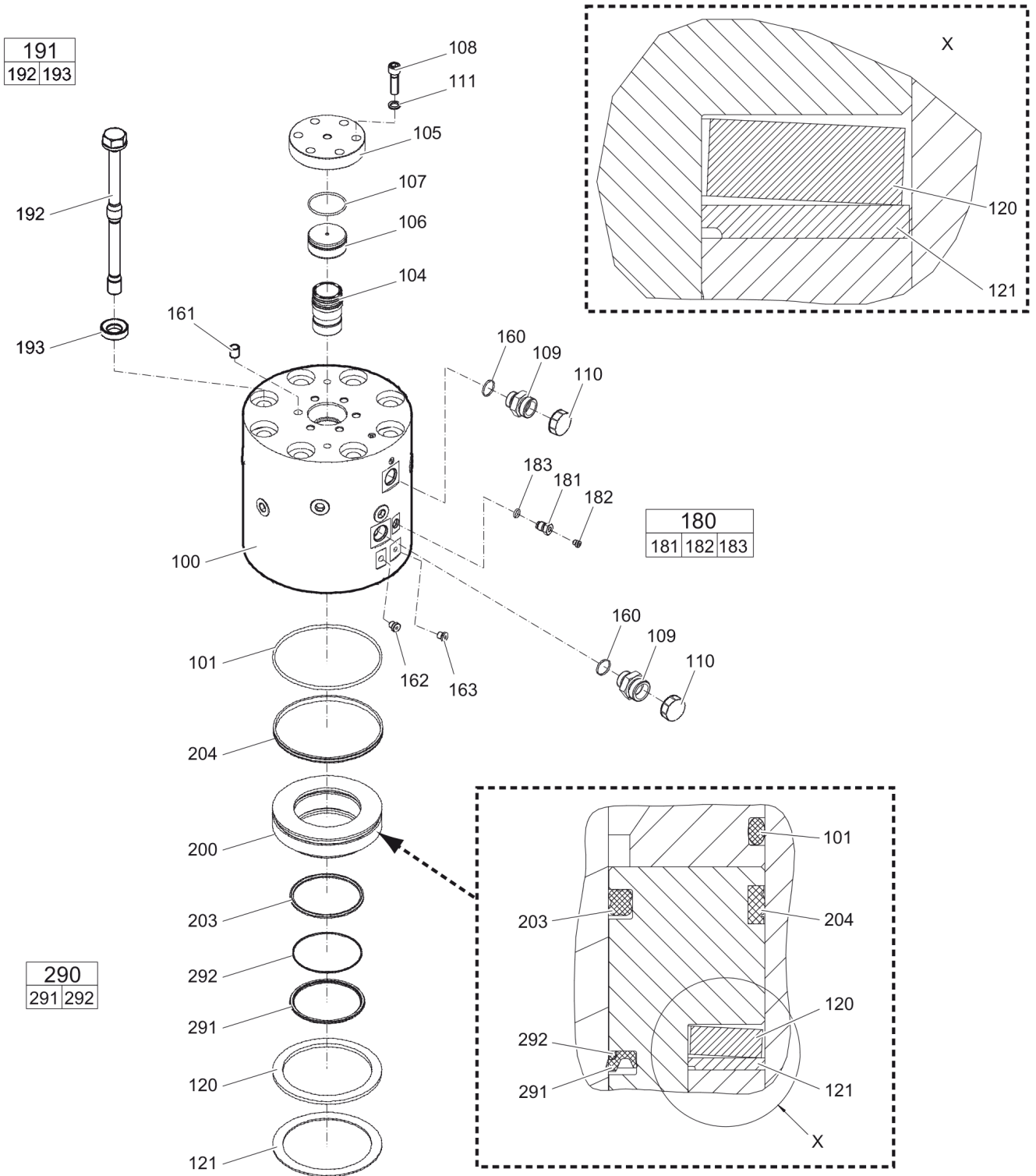
B | professional welding process necessary

C | only for hydraulic breakers without HATCON

D | with item 95 and 96

E | only for hydraulic breakers with HATCON / see separate chapter

Mechanical Percussion unit part 1: cover



Item	Part No.	Name	Qty	L
100	3363110017	Cover	1	A
101	3361031951	O-ring	1	
104	3363109459	Main control valve	1	
105	3363109465	Cover	1	
106	3363102115	Cover	1	
107	3363098702	O-ring	1	
108	3363083725	Allen screw	6	
109	3360995665	Fitting	2	B
110	3361353488	Protective cap	2	
111	3361333703	Pair of lock washers	6	
120	3363110016	Plate spring	1	
121	3363109471	Disk	1	C
160	3360314551	O-ring	2	
161	3361031915	Threaded insert	6	
162	3363066963	Plug, M14 x 1.5 mm	1	
163	3360478439	Threaded plug	1	
180(181-183)	3363087286	Filling valve complete	1	
181		Filling valve	1	
182	3360478426	Threaded plug	1	
183	3360175125	O-ring	1	
191(192-193)	3363110084	Bolt complete	8	
192		Bolt	1	
193	3363109463	Washer	1	
200	3363109461	Seal bush	1	
203	3363098700	Seal	1	
204	3363110027	Seal	1	
290(291-292)	3363103152	Seal kit	1	
291		Seal	1	
292		Back-up ring	1	

Comments for Page: Percussion unit part 1: cover

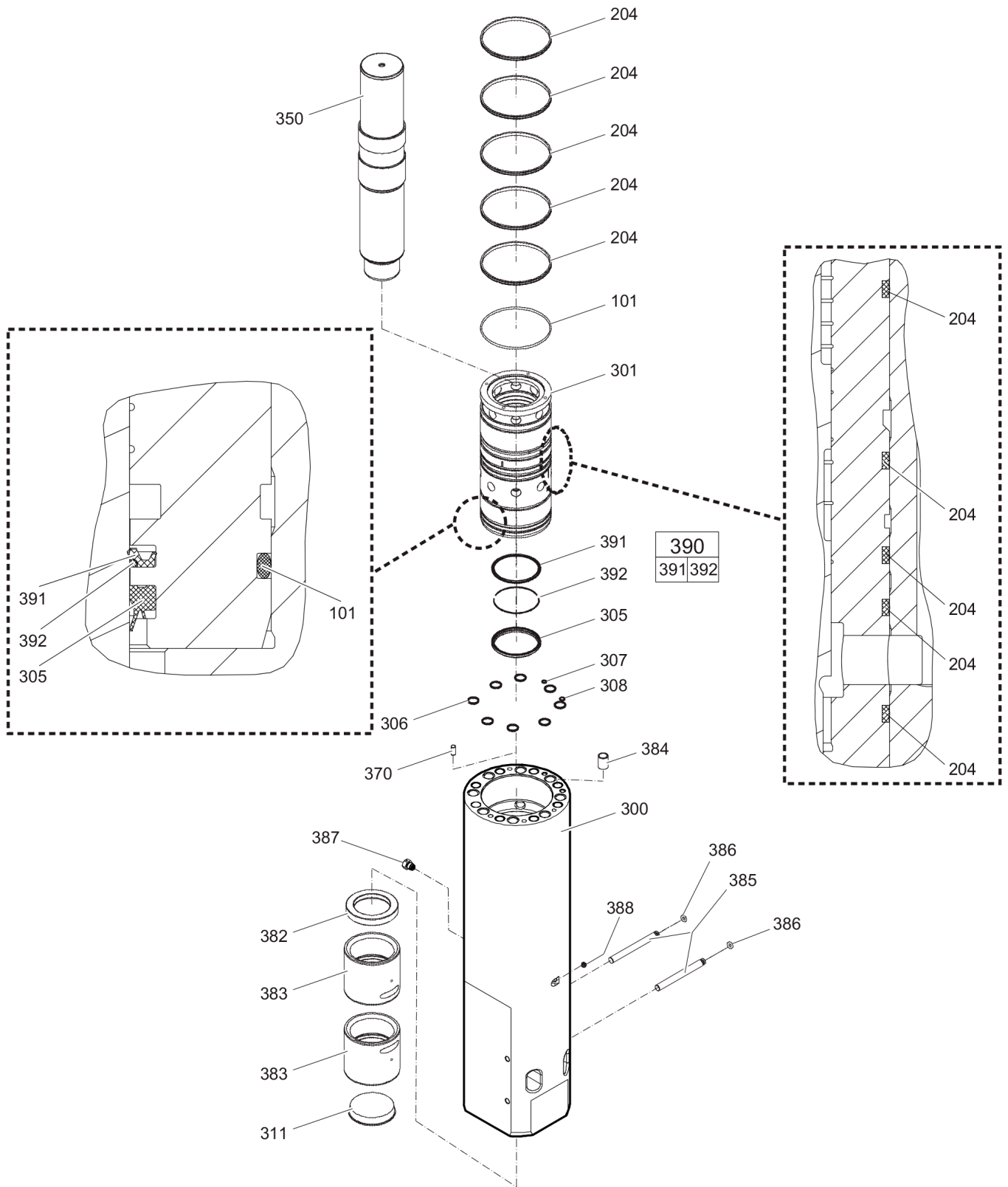
(L)OCAL REMARKS

A | with item 161 - 163

B | with item 160

C | observe mounting direction

Mechanical Percussion unit part 2: main body complete



Refer to the DocMine web page for most up-to-date information. The printed information might be outdated.

Wed Feb 03 12:14:20 UTC 2021

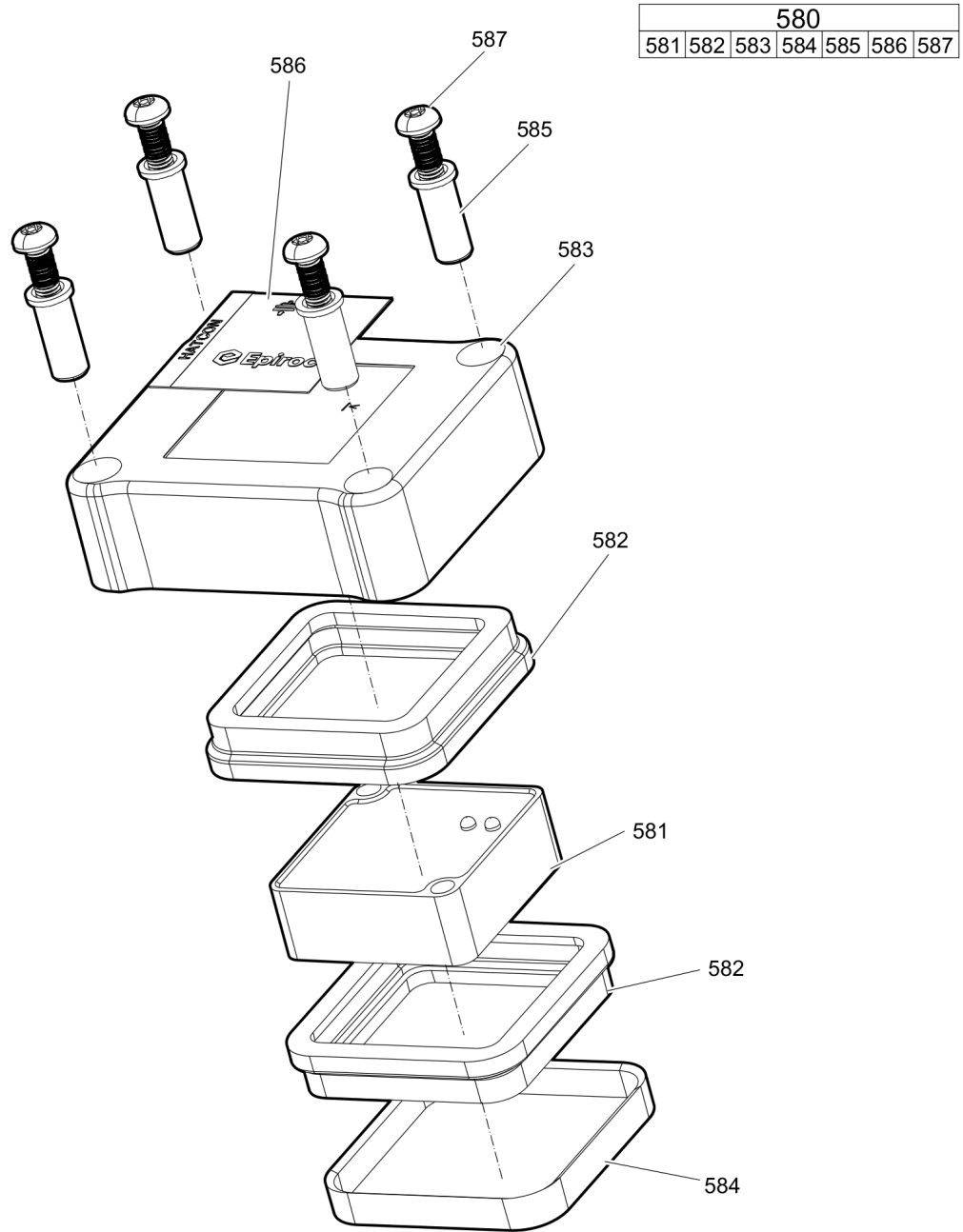
Item	Part No.	Name	Qty	L
101	3361031951	O-ring	1	
204	3363110027	Seal	5	
300	3363114923	Main body	1	A
301	3363111447	Cylinder bush	1	
305	3363098705	Wiper	1	
306	3363110029	Stirromatic	8	
307	3362267582	Stirromatic	1	
308	3362267583	Stirromatic	1	
311	3360995339	Protective cap	1	
350	3363110020	Percussion piston	1	
370	3360106784	Parallel pin 14X28	1	
382	3363109467	Impact ring	1	
383	3363109469	Wear bush	2	
384	3363083574	Threaded insert	8	
385	3363109457	Bolt	2	
386	3363110076	O-ring	2	
387	3363109435	Non return valve, G1/2 in.	1	
388	3360433774	Grease nipple	1	
390(391-392)	3363103153	Seal kit	1	
391		Seal	1	
392		Back-up ring	1	

Comments for Page: Percussion unit part 2: main body complete

(L)OCAL REMARKS

A | with item 382 - 388

Mechanical HATCON



Item	Part No.	Name	Qty	L
580(581-587)		HATCON	1	A
581		Tracking module HATCON	1	
582	3315439130	Damper HATCON	2	
583	3315439110	Housing type 1 HATCON	1	
584	3315439140	Lock ring HATCON	1	
585	3315439120	Sleeve HATCON	4	
586	3315439100	Product label HATCON	1	
587	3315442600	Screw HATCON	4	

Comments for Page: HATCON

A | part number see chapter "Optional equipment"

Mechanical Tightening torques

NO EXPLODED VIEW
AVAILABLE
FOR THIS BOM

Item	Part No.	Name	Qty	L
35	-	Allen screw - 10 Nm (7 ft lbf)	-	A
108	-	Allen screw - 200 Nm (148 ft lbf)	-	B
109	-	Fitting - 330 Nm (243 ft lbf)	-	C
181	-	Filling valve - 130 Nm (96 ft lbf)	-	D
182	-	Threaded plug - 20 Nm (15 ft lbf)	-	E
192	-	BOLT	-	F
387	-	Non-return valve - 200 Nm (148 ft lbf)	-	G
587	-	Screw HATCON - 22 Nm (16 ft lbf)	-	H

Comments for Page: Tightening torques

(L)OCAL REMARKS

A | Allen key size 10

B | Allen key size 14

C | Open-end wrench size 46

D | Socket spanner size 22

E | Allen key size 5

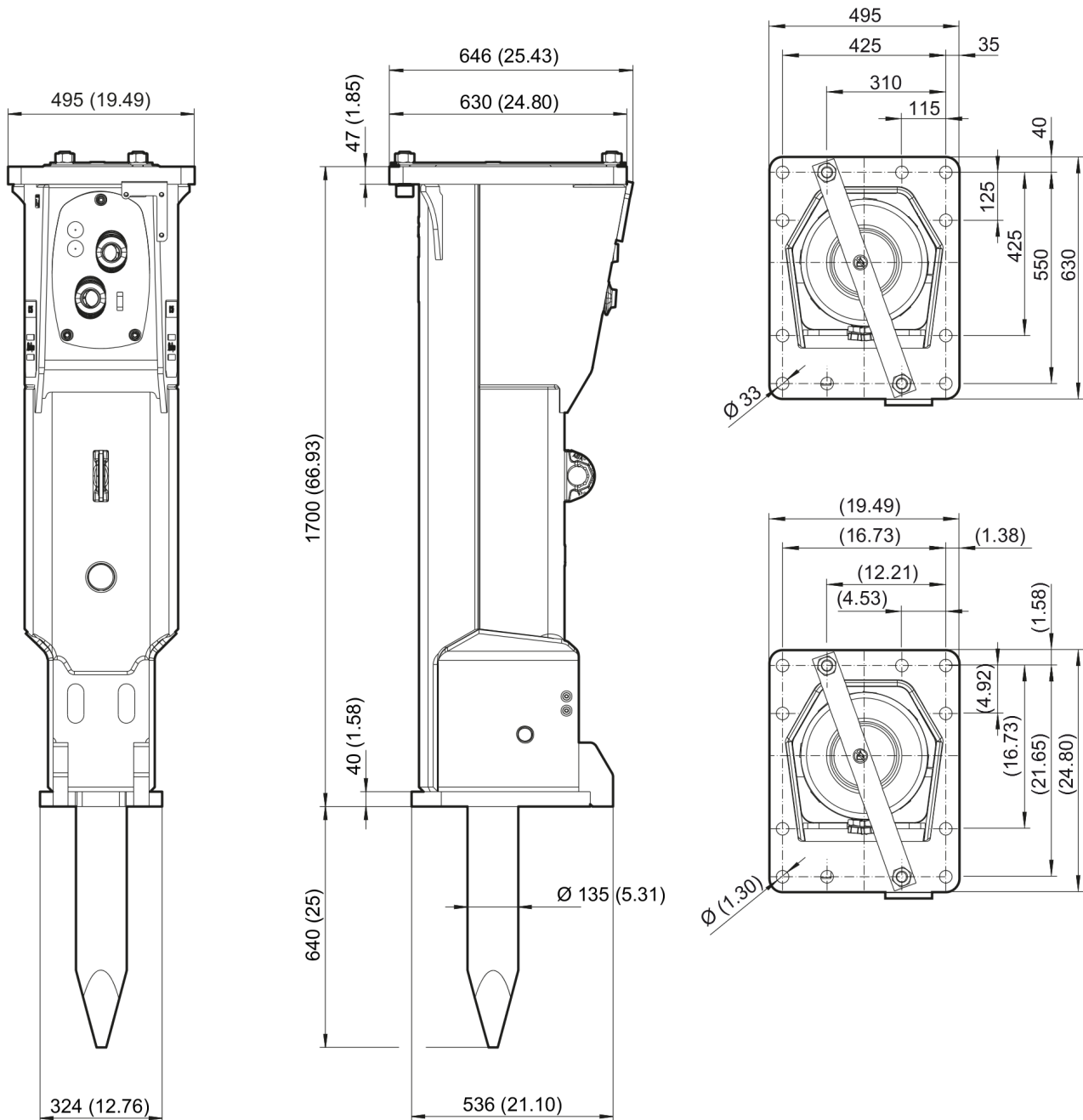
F | Torque wrench or Power wrench size 41

1. Pretighten the bolts to 100 Nm (74 ft lbf), proceeding in a crosswise fashion,
2. again pretighten the bolts to 100 Nm (74 ft lbf), proceeding in a crosswise fashion,
3. then tighten each bolt through 60° (1 sides of hexagonal head) in a crosswise fashion,
4. finally tighten each bolt again through 90° (1 ½ sides of hexagonal head) in a crosswise fashion.

G | Socket wrench size 27

H | Security bit HATCON

Mechanical Dimensions



Refer to the DocMine web page for most up-to-date information. The printed information might be outdated.

Wed Feb 03 12:14:23 UTC 2021

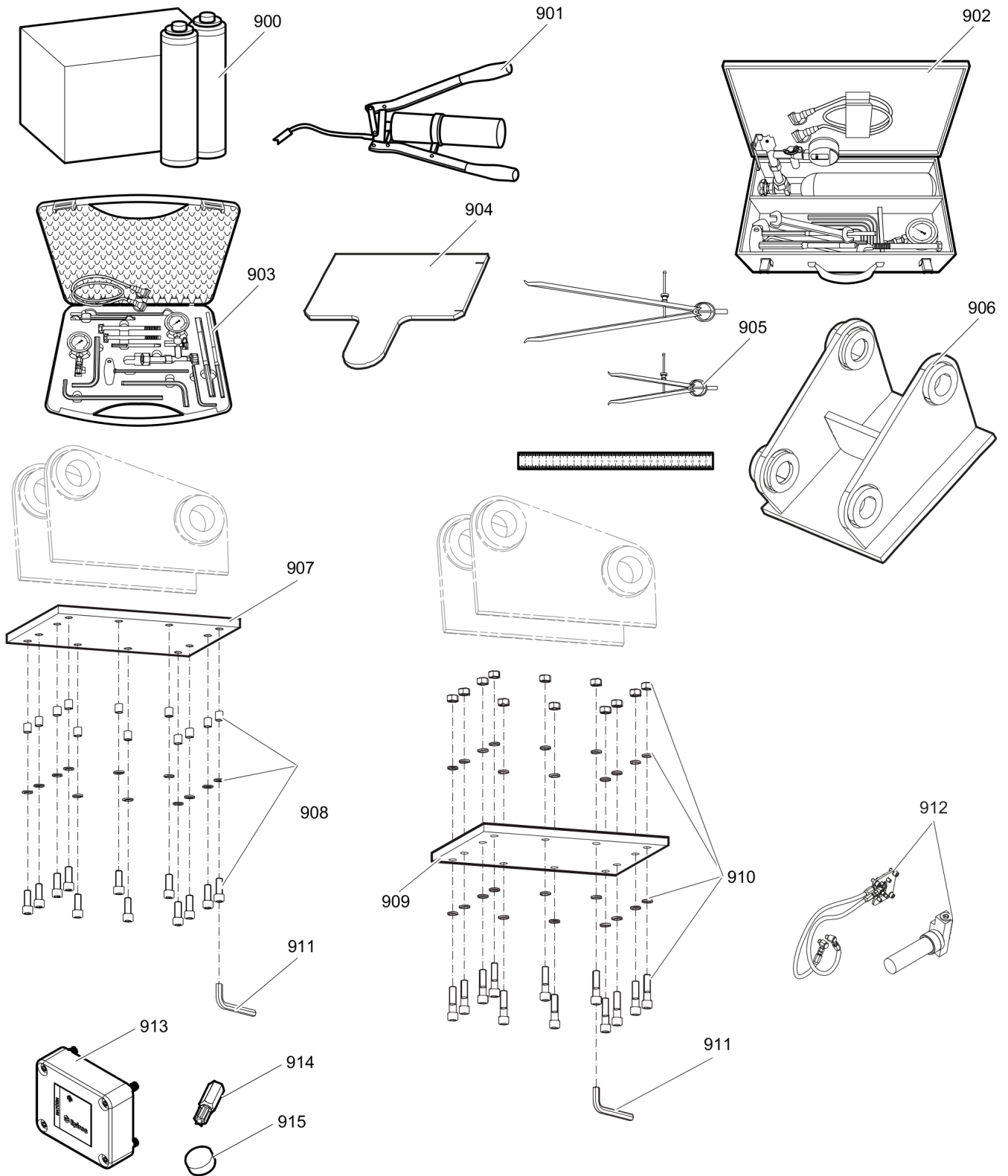
This page intentionally left blank

Options / accessories Hydraulic hoses

**NO EXPLODED VIEW
AVAILABLE
FOR THIS BOM**

Item	Part No.	Name	Qty	L
-	3360992340	Hydraulic hose, I.D. 25 (1"), both ends M42 x 2 conical seal 24°, length 2300 mm (91 in.)	2	
-	3363115797	Hydraulic hose, I.D. 25 (1"), both ends M42 x 2 conical seal 24°, length 2600 mm (102 in.)	2	
-	3361853859	Hydraulic hose, I.D. 25 (1"), both ends M42 x 2 conical seal 24°, length 2800 mm (110 in.)	2	

Options / accessories Optional equipment



Refer to the DocMine web page for most up-to-date information. The printed information might be outdated.
Wed Feb 03 12:14:24 UTC 2021

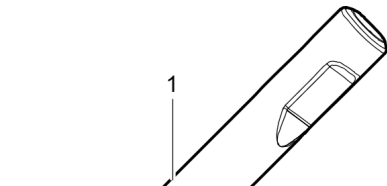
Item	Part No.	Name	Qty	L
900	3363122356	Bio chisel paste cartridge, 12 x 550 g (1.2 lbs)	1	
900	3363091200	Chisel paste cartridge, 12 x 500 g (1.1 lbs)	1	
901	3363034567	GREASE PUMP	1	
902	3363491004	Charging box with nitrogen cylinder, 2 l, 0.43 gal (0.53 US gal)	1	
903	3363117786	Charging box without nitrogen cylinder	1	
904	3361852169	Test gauge lower wear bush	1	
905	3363094952	Inside callipers upper wear bush	1	
906		Adapter plate matching the carrier. Consult the authorized Customer Center/Dealer in your area.	1	
907	3363099799	Base plate with threaded inserts	1	
908	3363087303	Bolt kit	1	
909	3363100697	Base plate with through borings	1	
910	3363094575	Bolt kit	1	
911	3360209253	Allen key (19 mm)	1	
912	3363117805	Automatic lubrication system kit	1	A
913	3315442500	Retrofit kit HATCON	1	B
914	3315439105	Security bit HATCON	1	
915	3315439106	Magnet HATCON	1	

Comments for Page: Optional equipment

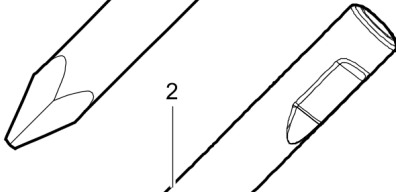
A | ContiLube® II

B | with item 914 and 915

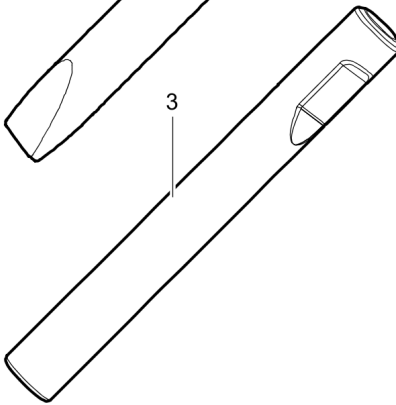
Options / accessories Working tools



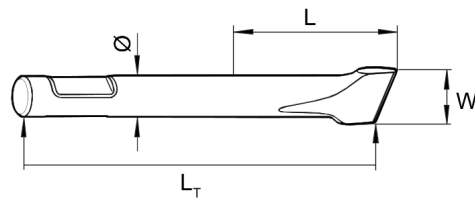
$\text{Ø}=135 \text{ mm}$, $L=640 \text{ mm}$, $L_T=1125 \text{ mm}$, $Wt=111.8 \text{ kg}$
 $\text{Ø}=5.31 \text{ inch}$, $L=25 \text{ inch}$, $L_T=44.29$, $Wt=246.5 \text{ lb}$



$\text{Ø}=135 \text{ mm}$, $W=135 \text{ mm}$, $L=640 \text{ mm}$, $L_T=1125 \text{ mm}$, $Wt=116.2 \text{ kg}$
 $\text{Ø}=5.31 \text{ inch}$, $W=5.31 \text{ inch}$, $L=25 \text{ inch}$, $L_T=44.29$, $Wt=256.2 \text{ lb}$



$\text{Ø}=135 \text{ mm}$, $L=640 \text{ mm}$, $L_T=1125 \text{ mm}$, $Wt=123.6 \text{ kg}$
 $\text{Ø}=5.31 \text{ inch}$, $L=25 \text{ inch}$, $L_T=44.29$, $Wt=272.5 \text{ lb}$



Item	Part No.	Name	Qty	L
1	3363120357	Moil point	1	
2	3363120154	Chisel (cross)	1	
3	3363120155	Blunt tool	1	

Any unauthorized use or copying of the contents or any part thereof is prohibited.
This applies in particular to trademarks, model denominations, part numbers, and drawings.