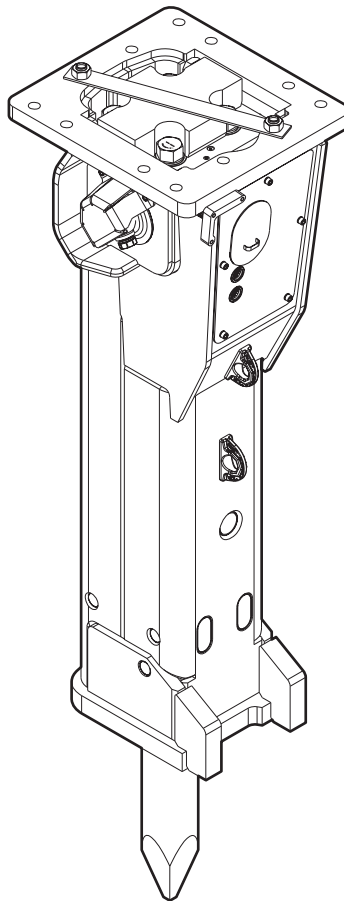


EC 155T

Spare parts list Hydraulic breakers

EC 155T s/n DEQ180847 -



General information

This spare parts list applies to the following:

Part number	Description
3363115612	Hydraulic breaker EC 155T
3363124832	Hydraulic breaker EC 155T with HATCON

Use only authorized parts. Any damage or malfunction caused by the use of unauthorized parts is not covered by Warranty or Product Liability. Any unauthorized use or copying of the contents or any part thereof is prohibited. This applies in particular to trademarks, model denominations, part numbers, and drawings.

Instructions for use

This spare parts list contains no safety regulations and is merely intended to assist in the ordering of spare parts.

For information about operating, servicing, or repairing, the relevant Safety and operating instructions must be consulted at all costs.

Please observe the safety instructions listed in the relevant Safety and operating instructions!

Instructions for ordering

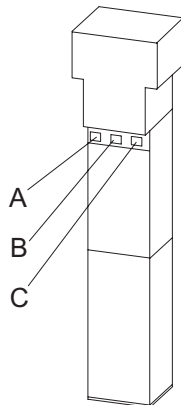
It is essential to indicate the serial number of the hydraulic attachment when ordering spare parts!

Please note the full identification number of your hydraulic attachment.

The code can be found on the cylinder.

Determine the quantity of individual parts which are required and need to be ordered. The order must indicate the following details:

- full identification code of the hydraulic attachment
- required quantity
- part number
- description



A. Cylinder number

B. Type

C. Serial number

Service, repair and wear part kits

Label kit 1
Kit list 3

Mechanical

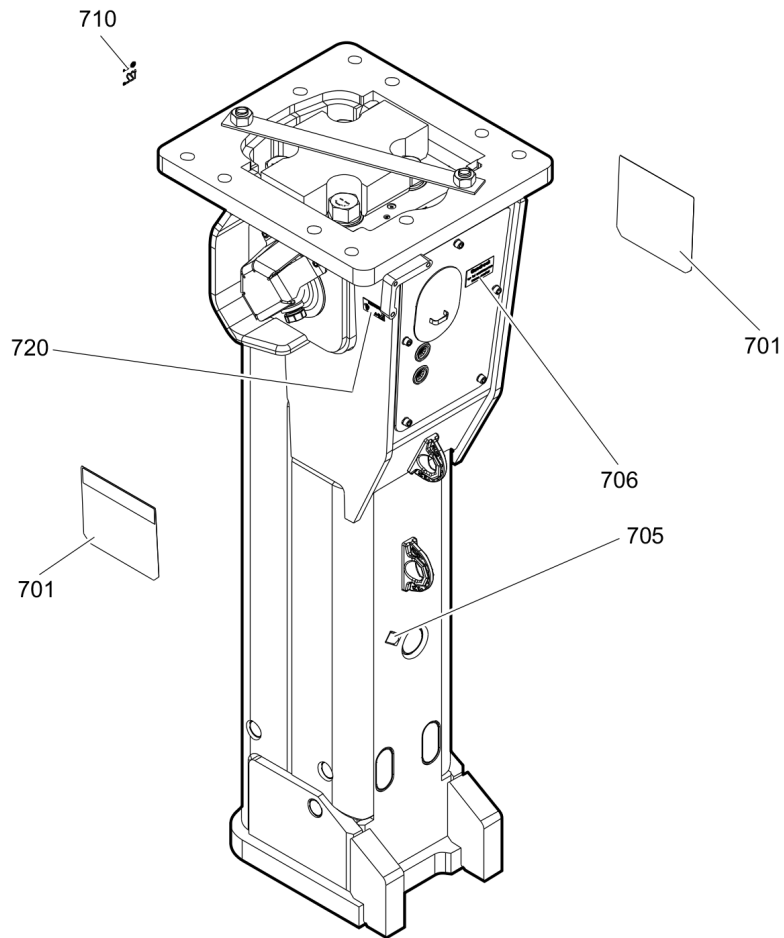
Hydraulic breaker 5
Percussion unit part 1: cylinder cover 7
Percussion unit part 2: cylinder 10
Percussion unit part 3: lower breaker part 13
HATCON 15
Tightening torques 17
Dimensions 19

Options / accessories

Hydraulic hoses 20
Optional equipment 23
Working tools ClassicLine 25
Working tools ProLine 27

Service, repair and wear part kits Label kit

700			
701	705	706	710



Item	Part No.	Name	Qty	L
700(701-710)	3363121472	Label kit	1	
701		Label "EC 155 Epiroc"	2	
705		Label - Lubricating symbol	1	
706		Label - Gas pressure	2	
710		Sound power label	1	
720		Name plate - Consult the authorized Customer Center/Dealer in your area.	1	

Service, repair and wear part kits Kit list

NO EXPLODED VIEW
AVAILABLE
FOR THIS BOM

Item	Part No.	Name	Qty	L
KIT	3363122472	Seal kit	1	
103	3360314375	O-ring	1	
120	3360478079	O-ring	1	
121	3363112708	Back-up ring	1	
138	3360314373	O-ring	2	
145(146-147)	3361850422	Seal kit	2	
146		O-ring	2	
147		Back-up ring	2	
164	3361031912	O-ring	1	
165	3361850529	Back-up ring	1	
166	3361031990	O-ring	1	
182	3360478426	Threaded plug	1	
183	3360175125	O-ring	1	
194	3363112659	O-ring	1	
195	3360314656	O-ring	1	
201	3363098135	Seal	1	
202	3363094624	Seal	1	
290(291-292)	3363094641	Seal kit	1	
291		Seal	1	
292		Back-up ring	1	
301	3362267583	Stircomatic	4	
302	3362267585	Seal	4	
303	3362267281	Seal	8	
304	3363122397	Seal	2	
306	3363094625	Wiper	1	
KIT	3363098088	Fastening screw kit	1	
161	3363070490	Allen screw	6	
163	3361333703	Pair of lock washers	6	
172	3361031989	Threaded insert	6	
KIT	3363089849	Accumulator repair kit	1	
-	3362261647	Diaphragm	1	
-	3360332259	Filling screw	1	
-	3360314460	O-ring	1	
-	3361335025	Protective cap	1	
-	3361031912	O-ring	1	
-	3361850529	Back-up ring	1	

Refer to the DocMine web page for most up-to-date information. The printed information might be outdated.

Tue Jan 05 06:15:15 UTC 2021

Item	Part No.	Name	Qty	L
1		Percussion unit	1	A
2	3363112569	Elastic pad	1	
3	3363105817	Shock absorber	2	
4	3363115362	Guide plate	2	
5	3363115363	Guide plate	2	
20(21-24)	3363083343	Transport safety device complete	1	
21		Transport safety device	1	
22	3360026883	Allen screw	2	
23	3363091872	Label transport safety device	1	
24	3360103254	Nut	2	
31	3363116187	Plate	1	
32	3361850596	Pair of lock washers	11	
33	3360103750	Allen screw	11	
34	3363092697	Cover	1	
35	3363105987	Plug	2	
36	3363115515	Cover	2	
37	3363121816	Swivel joint cover	2	
38	3363086011	Plug	2	
39	3363086015	Plug	8	
40	3362267893	Plug	1	
95	3363111994	Lifting eye	2	B
96	3315439145	Protective plug HATCON	4	C
99	3363116754	Breaker box	1	D
580		HATCON	1	E

Comments for Page: Hydraulic breaker

(L)OCAL REMARKS

A | see separate chapter

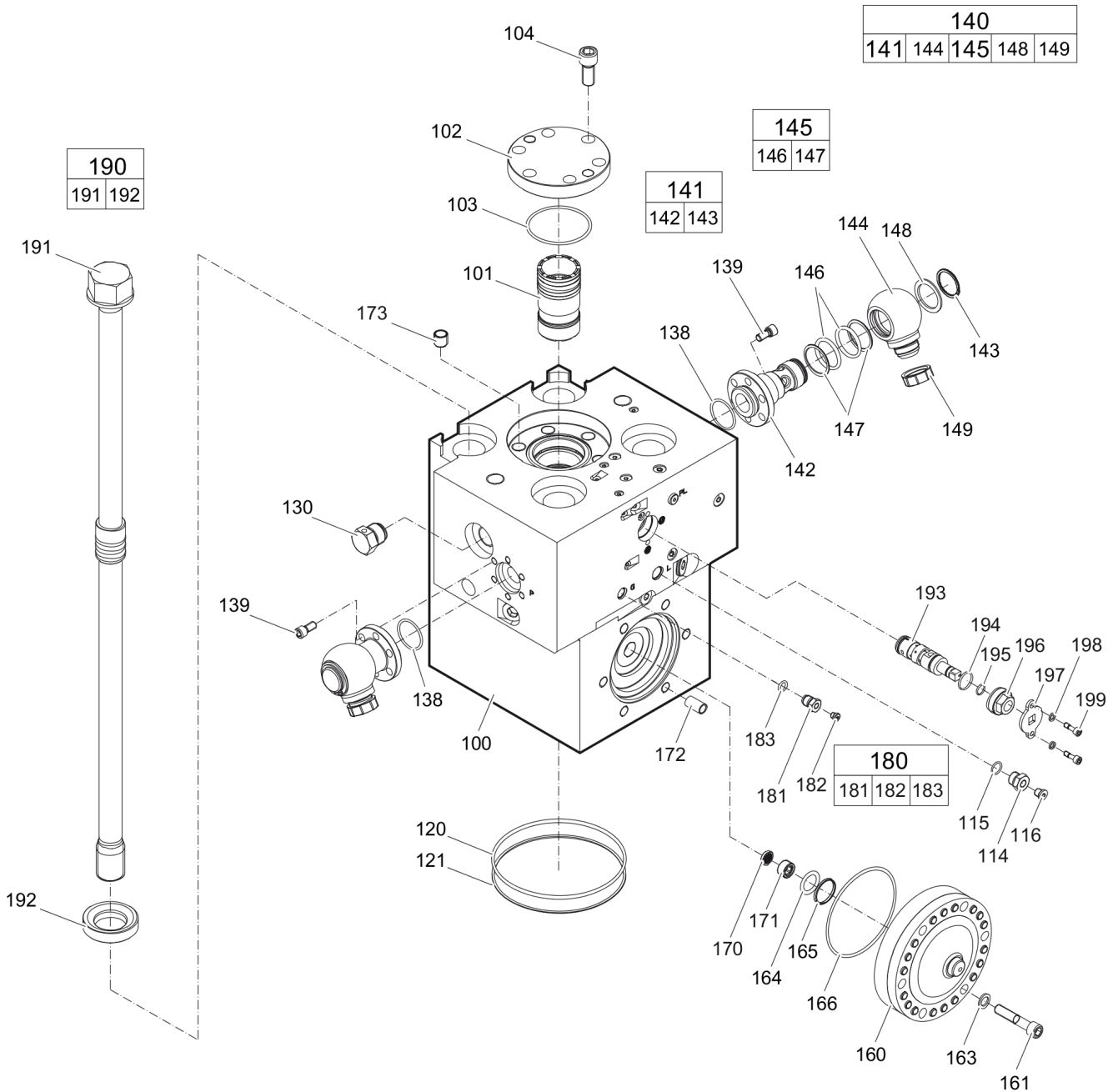
B | professional welding process necessary

C | only for hydraulic breakers without HATCON

D | with item 95 and 96

E | only for hydraulic breakers with HATCON / see separate chapter

Mechanical Percussion unit part 1: cylinder cover



Refer to the DocMine web page for most up-to-date information. The printed information might be outdated.
 Tue Jan 05 06:15:17 UTC 2021

Item	Part No.	Name	Qty	L
100	3363112589	Cylinder cover	1	A
101	3363113806	Main control valve	1	
102	3363097717	Cover	1	
103	3360314375	O-ring	1	
104	3360103776	Allen screw	6	
114	3361854657	Connecting screw	1	
115	3360478171	O-ring	1	
116	3360478439	Threaded plug	1	
120	3360478079	O-ring	1	
121	3363112708	Back-up ring	1	
130	3361854511	Non-return valve	1	
138	3360314373	O-ring	2	
139	3360103750	Allen screw	12	
140(141-149)	3363116891	Swivel joint complete	2	
141(142-143)	3363116890	Adapter complete	1	
142		Adapter	1	
143	3363116062	Snapping	1	
144	3361356643	Adapter	1	
145(146-147)	3361850422	Seal kit	1	
146		O-ring	2	
147		Back-up ring	2	
148	3361356645	Disk	1	
149	3361353489	Cap	1	
160	3363069585	HP-accumulator	1	
161	3363070490	Allen screw	6	
163	3361333703	Pair of lock washers	6	
164	3361031912	O-ring	1	
165	3361850529	Back-up ring	1	
166	3361031990	O-ring	1	
170	3361844113	Strainer disk	1	
171	3361844115	Threaded plug	1	
172	3361031989	Threaded insert	6	
173	3361031529	Threaded insert	6	
180(181-183)	3363087286	Filling valve complete	1	
181		Filling valve	1	
182	3360478426	Threaded plug	1	
183	3360175125	O-ring	1	

Refer to the DocMine web page for most up-to-date information. The printed information might be outdated.

Tue Jan 05 06:15:17 UTC 2021

Item	Part No.	Name	Qty	L
190(191-192)	3363094604	Tensioning bolt complete	4	
191		Tensioning bolt	1	
192	3363093651	Washer	1	
193	3363113244	Valve	1	B
194	3363112659	O-ring	1	
195	3360314656	O-ring	1	
196	3363113246	Threaded plug	1	
197	3363119005	Plate	1	
198	3361850743	Pair of lock washers	2	
199	3360103735	Allen screw	2	

Comments for Page: Percussion unit part 1: cylinder cover

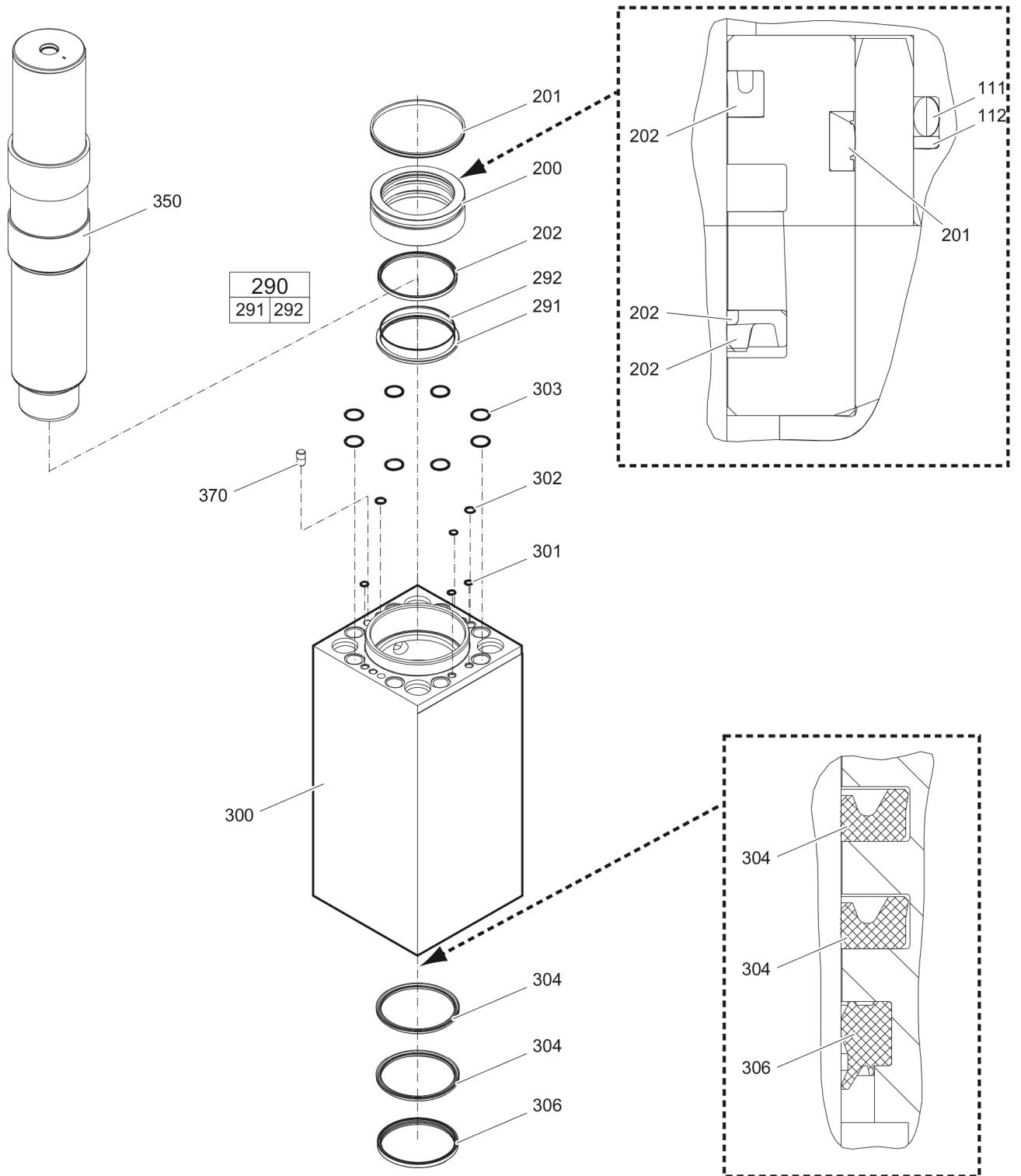
(L)OCAL REMARKS

A | with item 114 - 116 and 170 - 173

B | Stroke control

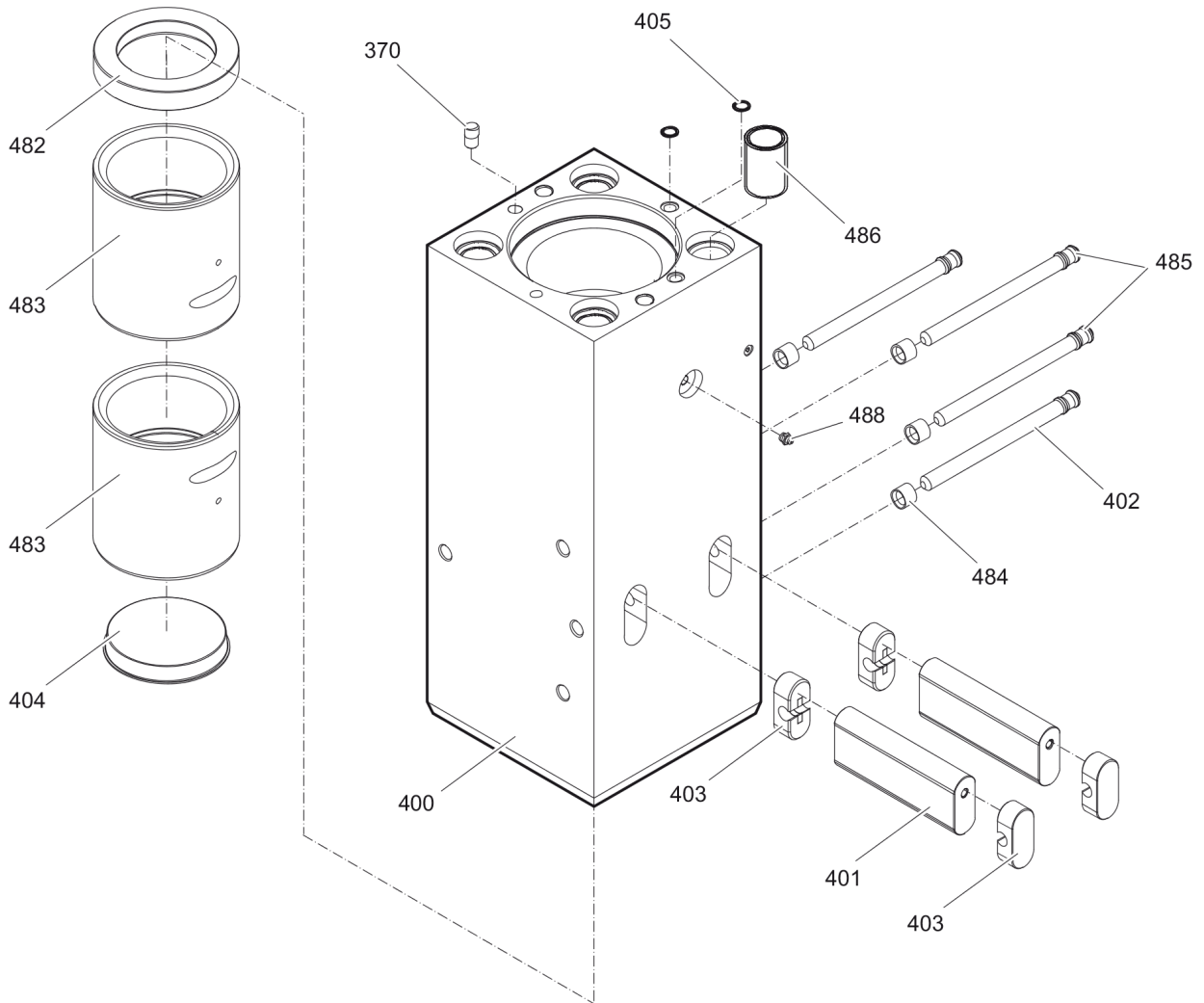
This page intentionally left blank

Mechanical Percussion unit part 2: cylinder



Item	Part No.	Name	Qty	L
200	3363112234	Seal bush	1	
201	3363098135	Seal	1	
202	3363094624	Seal	1	
290(291-292)	3363094641	Seal kit	1	
291		Seal	1	
292		Back-up ring	1	
300	3363112355	Cylinder	1	
301	3362267583	Stirromatic	4	
302	3362267585	Seal	2	
303	3362267281	Seal	8	
304	3363122397	Seal	2	
306	3363094625	Wiper	1	
350	3363094600	Percussion piston	1	
370	3362268185	Lock pin	1	

Mechanical Percussion unit part 3: lower breaker part



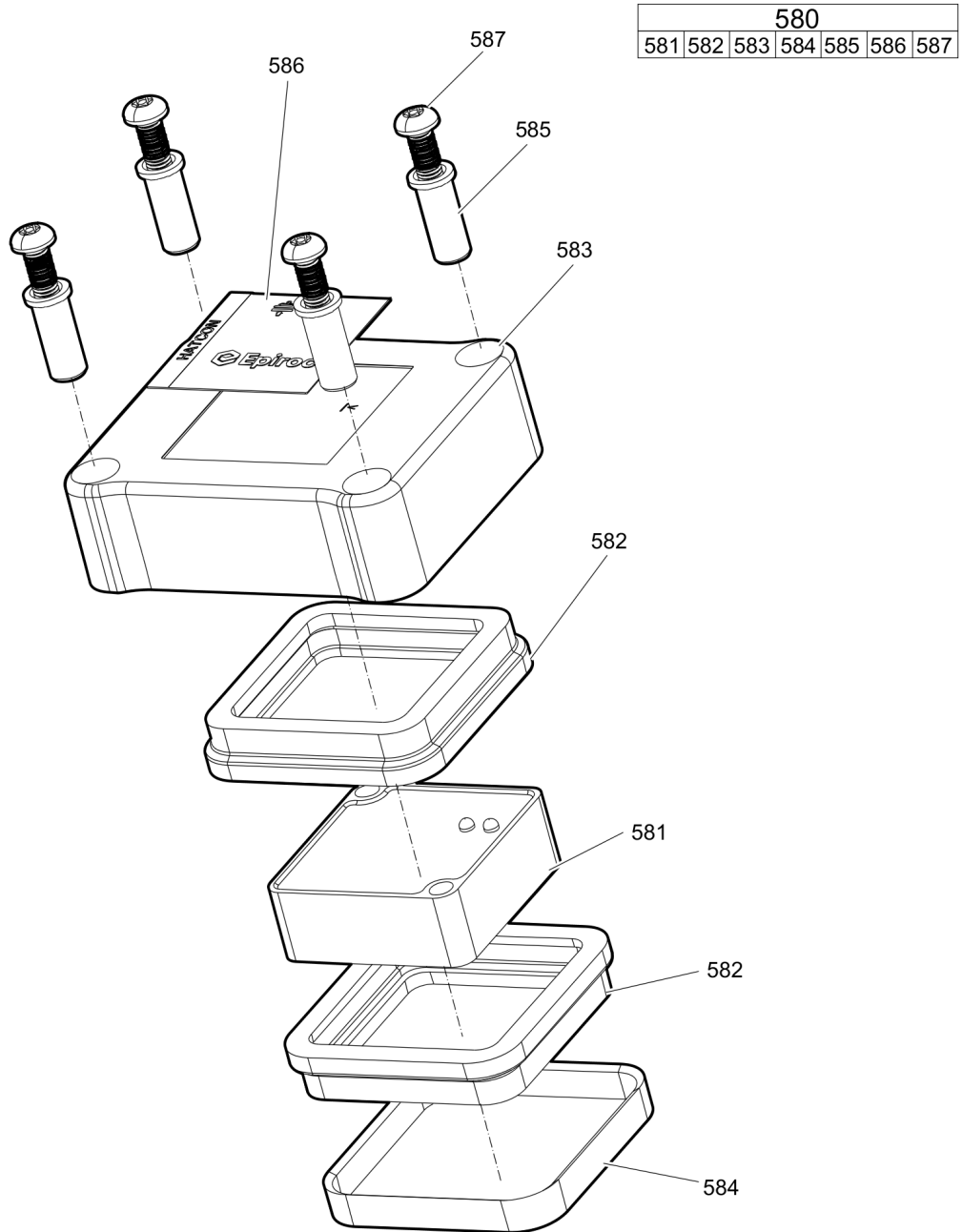
Item	Part No.	Name	Qty	L
370	3362268185	Lock pin	1	
400	3363112244	Lower breaker part	1	A
401	3360981927	Retainer bar	2	
402	3361854347	Bolt	2	
403	3362262925	Plug	4	
404	3363085471	Protective cap	1	
405	3362267585	Seal	2	
482	3363097721	Impact ring	1	
483	3363112237	Wear bush	2	
484	3361854363	Locking bush	4	
485	3361854347	Bolt	2	
486	3363085499	Threaded insert	4	
488	3360433774	Grease nipple	1	

Comments for Page: Percussion unit part 3: lower breaker part

(L)OCAL REMARKS

A | with item 482 - 488

Mechanical HATCON



Item	Part No.	Name	Qty	L
580(581-587)		HATCON	1	A
581		Tracking module HATCON	1	
582	3315439130	Damper HATCON	2	
583	3315439110	Housing type 1 HATCON	1	
584	3315439140	Lock ring HATCON	1	
585	3315439120	Sleeve HATCON	4	
586	3315439100	Product label HATCON	1	
587	3315442600	Screw HATCON	4	

Comments for Page: HATCON

A | part number see chapter "Optional equipment"

Mechanical Tightening torques

**NO EXPLODED VIEW
AVAILABLE
FOR THIS BOM**

Item	Part No.	Name	Qty	L
22	-	Allen screw - 240 Nm (177 ft lbf)	-	A
24	-	Nut - 240 Nm (177 ft lbf)	-	B
33	-	Allen screw - 85 Nm (63 ft lbf)	-	C
104	-	Allen screw - 380 Nm (280 ft lbf)	-	D
130	-	Non-return valve - 200 Nm (148 ft lbf)	-	E
139	-	Allen screw - 80 Nm (59 ft lbf)	-	C
161	-	Allen screw - 350 Nm (258 ft lbf)	-	F
181	-	Filling valve - 130 Nm (96 ft lbf)	-	G
182	-	Threaded plug - 20 Nm (15 ft lbf)	-	H
191	-	Tensioning bolt	-	I
196	-	Threaded plug - 300 Nm (221 ft lbf)	-	J
199	-	Allen screw - 20 Nm (15 ft lbf)	-	K
587	-	Screw HATCON - 22 Nm (16 ft lbf)	-	L

Comments for Page: Tightening torques

(L)OCAL REMARKS

A | Allen key size 22

B | Socket spanner size 46

C | Allen key size 10

D | Allen key size 17

E | Socket spanner size 41

F | Allen key size 14

G | Socket spanner size 22

H | Allen key size 5

I | Torque wrench or Power wrench size 65

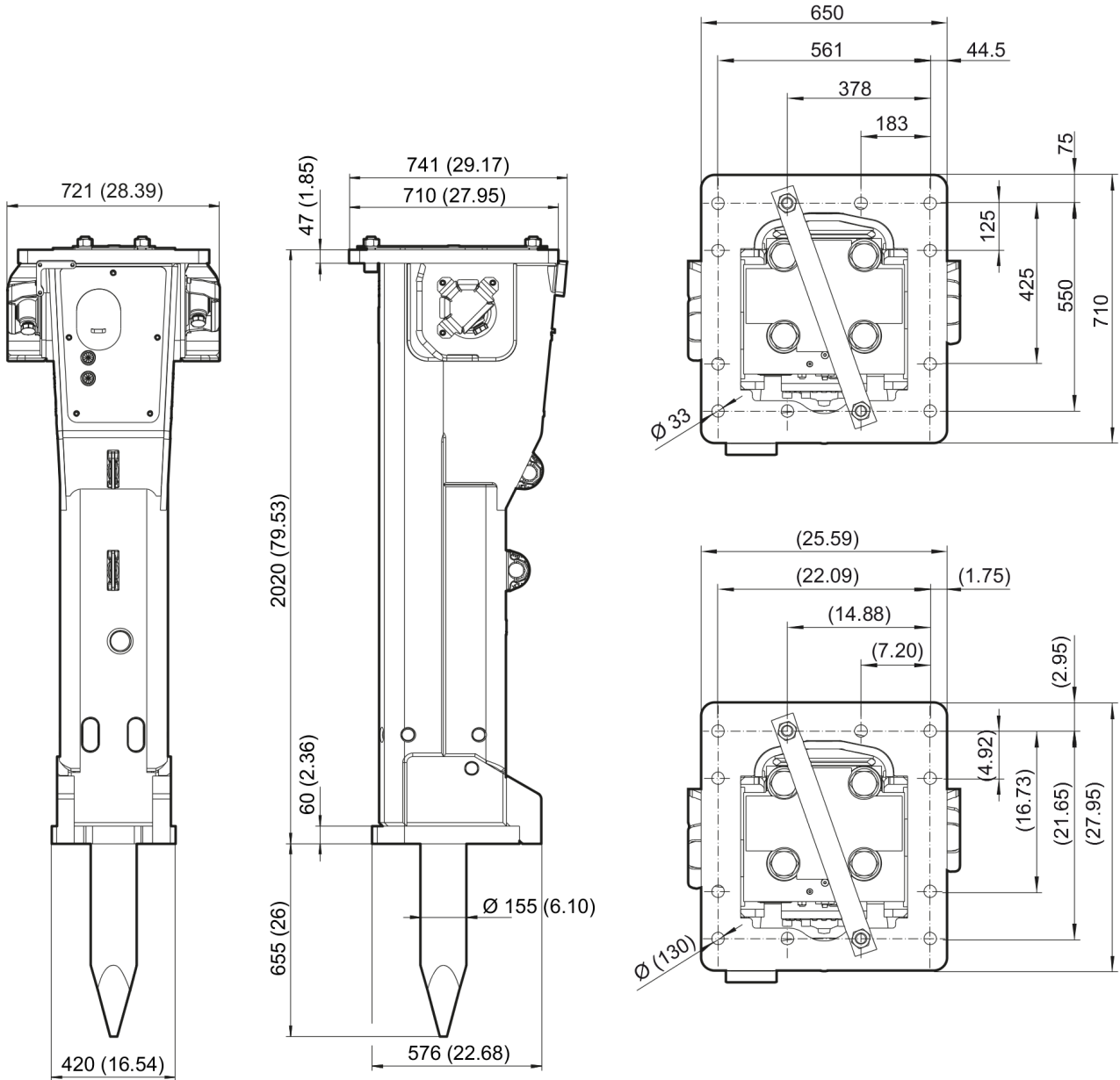
1. Pretighten the tensioning bolts to 500 Nm (369 ft lbf), proceeding in a crosswise fashion,
2. then tighten each tensioning bolt through 120° (2 sides of hexagonal head) in a crosswise fashion,
3. finally tighten each tensioning bolt again through 150° (2.5 sides of hexagonal head) in a crosswise fashion.

J | Socket spanner size 30

K | Allen key size 6

L | Security bit HATCON

Mechanical Dimensions



Refer to the DocMine web page for most up-to-date information. The printed information might be outdated.

Tue Jan 05 06:15:21 UTC 2021

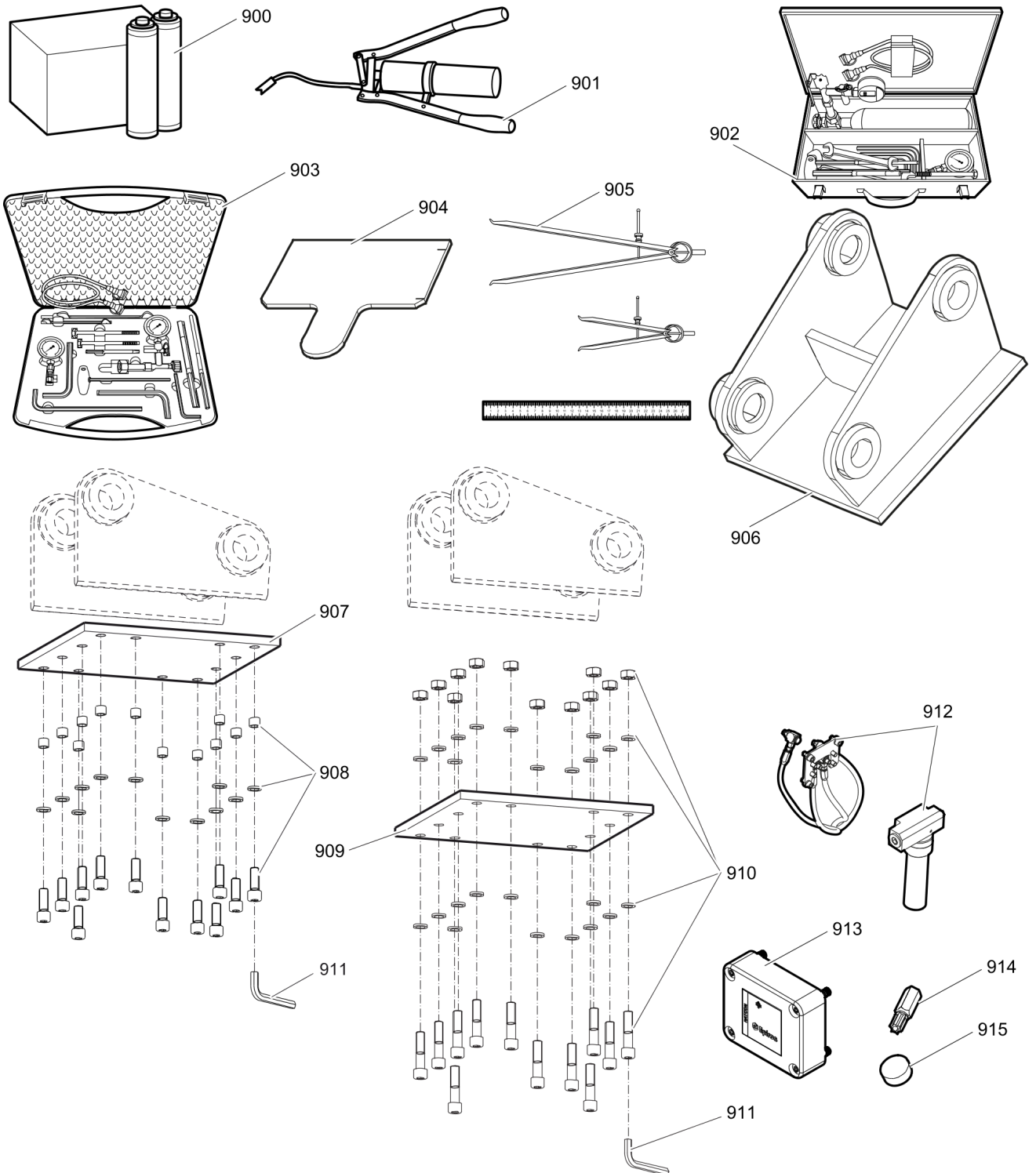
This page intentionally left blank

Options / accessories Hydraulic hoses

**NO EXPLODED VIEW
AVAILABLE
FOR THIS BOM**

Item	Part No.	Name	Qty	L
-	3363031190	Hydraulic hose, I.D. 25 (1"), both ends JIC 1 5/8", length 2300 mm (91 in.)	2	
-	3363031191	Hydraulic hose, I.D. 25 (1"), both ends JIC 1 5/8", length 2800 mm (110 in.)	2	

Options / accessories Optional equipment



Refer to the DocMine web page for most up-to-date information. The printed information might be outdated.
Tue Jan 05 06:15:23 UTC 2021

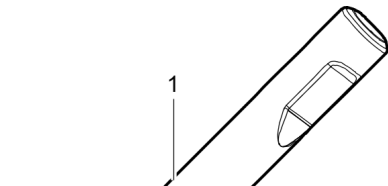
Item	Part No.	Name	Qty	L
900	3363122356	Bio chisel paste cartridge, 12 x 550 g (1.2 lbs)	1	
900	3363091200	Chisel paste cartridge, 12 x 500 g (1.1 lbs)	1	
901	3363034567	GREASE PUMP	1	
902	3363491004	Charging box with nitrogen cylinder, 2 l, 0.43 gal (0.53 US gal)	1	
903	3363117786	Charging box without nitrogen cylinder	1	
904	3361852171	Test gauge lower wear bush	1	
905	3363094952	Inside callipers upper wear bush	1	
906		Adapter plate matching the carrier. Consult the authorized Customer Center/Dealer in your area.	1	
907	3363099795	Base plate with threaded inserts	1	
908	3363087303	Bolt kit	1	
909	3363100699	Base plate with through borings	1	
910	3363094575	Bolt kit	1	
911	3360209445	Allen key (22 mm)	1	
912	3363117805	Automatic lubrication system kit	1	A
913	3315442500	Retrofit kit HATCON	1	B
914	3315439105	Security bit HATCON	1	
915	3315439106	Magnet HATCON	1	

Comments for Page: Optional equipment

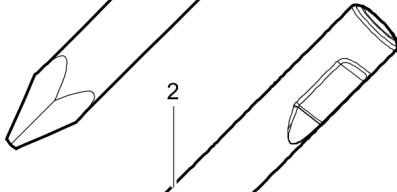
A | ContiLube® II

B | with item 914 and 915

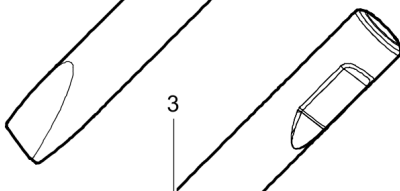
Options / accessories Working tools ClassicLine



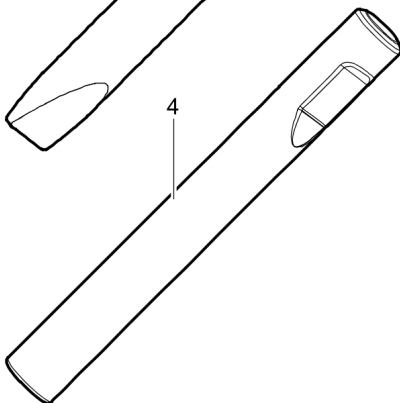
Ø=155 mm, L=655 mm, L_T=1310 mm, Wt=170.9 kg
 Ø=6.10 inch, L=26 inch, L_T=51.57, Wt=376.8 lb



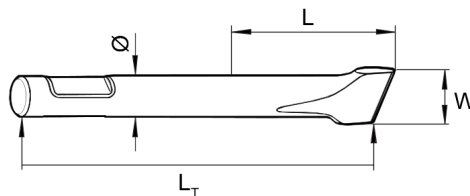
Ø=155 mm, W=155 mm, L=655 mm, L_T=1310 mm, Wt=177.8 kg
 Ø=6.10 inch, W=6.10 inch, L=26 inch, L_T=51.57, Wt=392.0 lb



Ø=155 mm, W=155 mm, L=655 mm, L_T=1310 mm, Wt=177.8 kg
 Ø=6.10 inch, W=6.10 inch, L=26 inch, L_T=51.57, Wt=392.0 lb

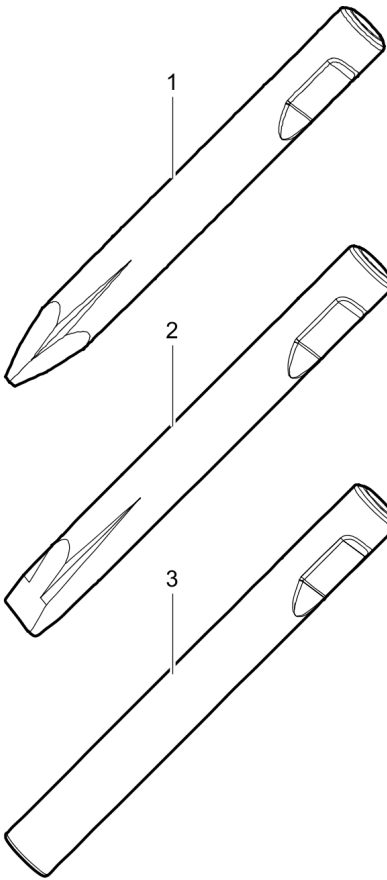


Ø=155 mm, L=655 mm, L_T=1310 mm, Wt=189.7 kg
 Ø=6.10 inch, L=26 inch, L_T=51.57, Wt=418.2 lb



Item	Part No.	Name	Qty	L
1	3363119615	Moil point	1	
2	3363119616	Chisel (cross)	1	
3	3363119617	Chisel (parallel)	1	
4	3363119618	Blunt tool	1	

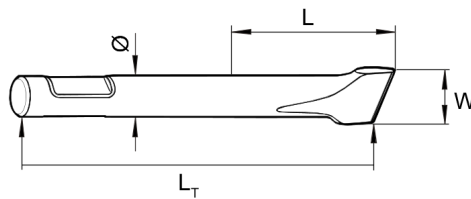
Options / accessories Working tools ProLine



$\text{Ø}=155 \text{ mm}$, $L=695 \text{ mm}$, $L_T=1350 \text{ mm}$, $\text{Wt}=167.8 \text{ kg}$
 $\text{Ø}=6.10 \text{ inch}$, $L=27 \text{ inch}$, $L_T=53.15$, $\text{Wt}=369.9 \text{ lb}$

$\text{Ø}=155 \text{ mm}$, $W=155 \text{ mm}$, $L=695 \text{ mm}$, $L_T=1350 \text{ mm}$, $\text{Wt}=174.3 \text{ kg}$
 $\text{Ø}=6.10 \text{ inch}$, $W=6.10 \text{ inch}$, $L=27 \text{ inch}$, $L_T=53.15$, $\text{Wt}=384.3 \text{ lb}$

$\text{Ø}=155 \text{ mm}$, $L=695 \text{ mm}$, $L_T=1350 \text{ mm}$, $\text{Wt}=195.6 \text{ kg}$
 $\text{Ø}=6.10 \text{ inch}$, $L=27 \text{ inch}$, $L_T=53.15$, $\text{Wt}=431.2 \text{ lb}$



Item	Part No.	Name	Qty	L
1	3363118362	Moil point	1	
2	3363118363	Chisel (cross)	1	
3	3363097763	Blunt tool	1	

Any unauthorized use or copying of the contents or any part thereof is prohibited.
This applies in particular to trademarks, model denominations, part numbers, and drawings.