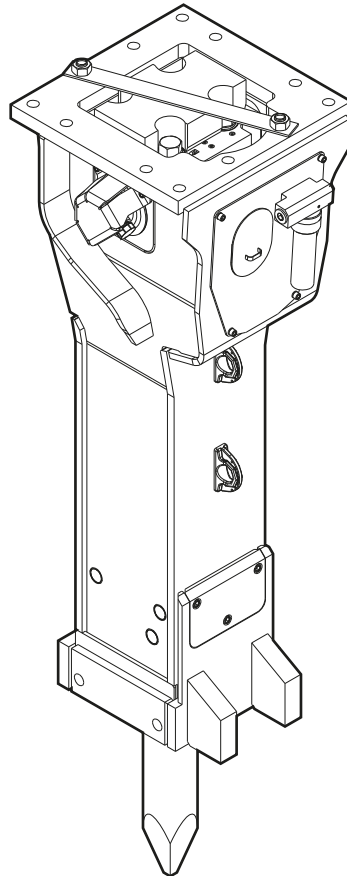


HB 2000, HB 2000 DP

Spare parts list Hydraulic breakers

HB 2000 s/n DEQ220482 -

HB 2000 DP s/n DEQ220482 -



General information

This spare parts list applies to the following:

Part number	Description
3363120809	Hydraulic breaker HB 2000 with lower wear bush (steel)
3363121263	Hydraulic breaker HB 2000 with lower wear bush (bronze)
3363120817	Hydraulic breaker HB 2000 DP with lower wear bush (steel)
3363121264	Hydraulic breaker HB 2000 DP with lower wear bush (bronze)
3363124774	Hydraulic breaker HB 2000 with lower wear bush (steel) with HATCON
3363124775	Hydraulic breaker HB 2000 with lower wear bush (bronze) with HATCON
3363124776	Hydraulic breaker HB 2000 DP with lower wear bush (steel) with HATCON
3363124777	Hydraulic breaker HB 2000 DP with lower wear bush (bronze) with HATCON

Use only authorized parts. Any damage or malfunction caused by the use of unauthorized parts is not covered by Warranty or Product Liability. Any unauthorized use or copying of the contents or any part thereof is prohibited. This applies in particular to trademarks, model denominations, part numbers, and drawings.

Instructions for use

This spare parts list contains no safety regulations and is merely intended to assist in the ordering of spare parts.

For information about operating, servicing, or repairing, the relevant Safety and operating instructions must be consulted at all costs.

Please observe the safety instructions listed in the relevant Safety and operating instructions!

Instructions for ordering

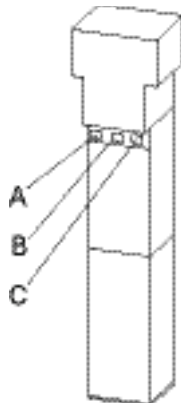
It is essential to indicate the serial number of the hydraulic attachment when ordering spare parts!

Please note the full identification number of your hydraulic attachment.

The code can be found on the cylinder.

Determine the quantity of individual parts which are required and need to be ordered. The order must indicate the following details:

- full identification code of the hydraulic attachment
- required quantity
- part number
- description



- A. Cylinder number
- B. Type
- C. Serial number

Service, repair and wear part kits

Label kit	1
Kit list	3

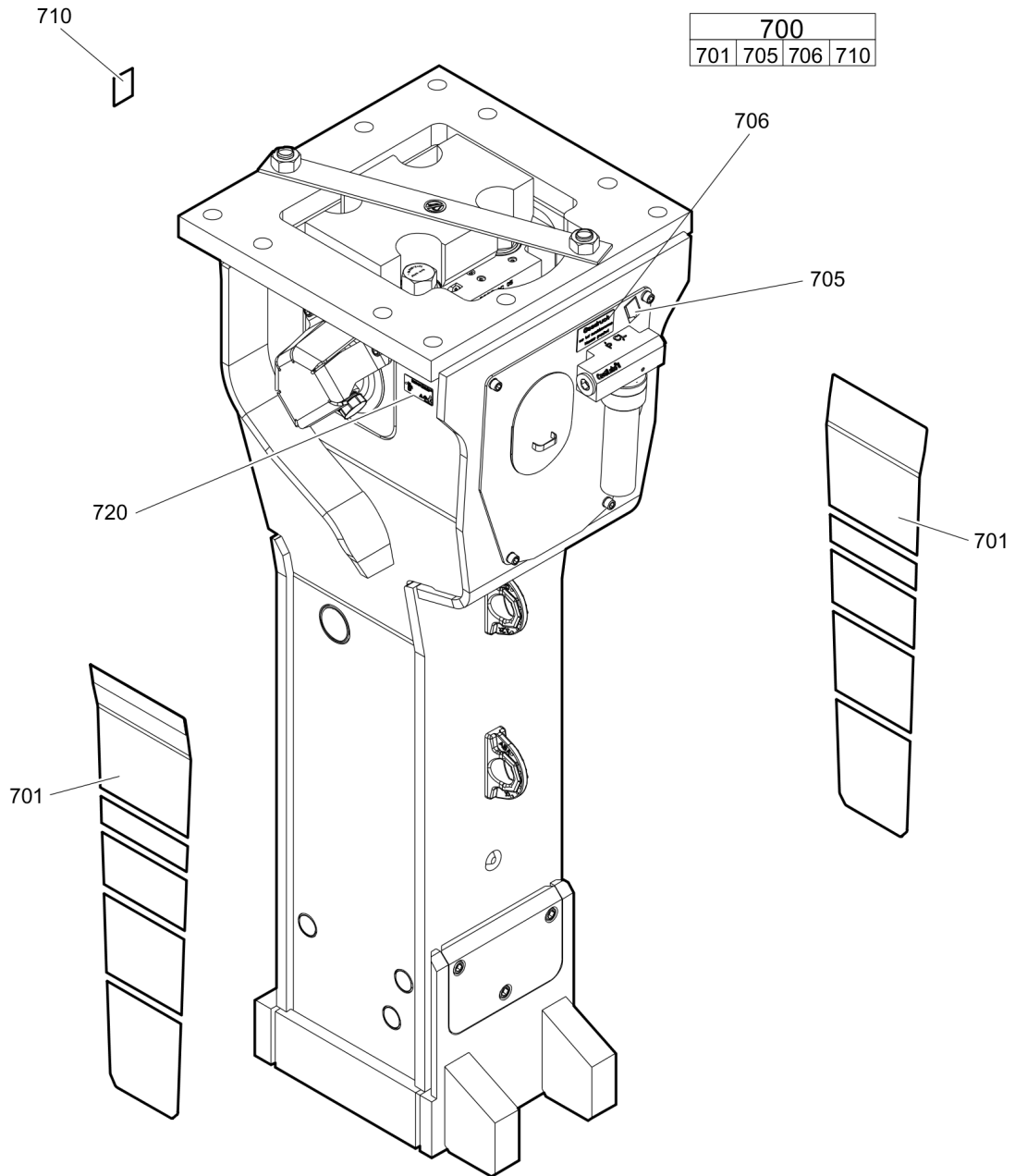
Mechanical

Hydraulic breaker HB 2000	8
Hydraulic breaker HB 2000 DP	11
Percussion unit part 1: cylinder cover	14
Percussion unit part 2: cylinder	18
Percussion unit part 3: lower breaker part (steel)	21
Percussion unit part 3: lower breaker part (bronze)	23
Connecting kit for automatic lubrication system	25
HATCON	27
Optional parts	29
Tightening torques	31
Dimensions HB 2000	34
Dimensions HB 2000 DP	36

Options / accessories

Hydraulic hoses	38
Optional equipment	41
Working tools ClassicLine HB 2000	43
Working tools ProLine HB 2000	45
Working tools ClassicLine HB 2000 DP	47
Working tools ProLine HB 2000 DP	49

Service, repair and wear part kits Label kit



Refer to the DocMine web page for most up-to-date information. The printed information might be outdated.

Fri Mar 18 07:21:23 UTC 2022

Item	Part No.	Name	Qty	L
700(701-710)	3363121373	Label kit	1	
701		Label "HB 2000 Epiroc"	2	
705		Label - Lubricating symbol	1	
706		Label - Gas pressure	2	
710		Sound power label	1	
720		Name plate - Consult the authorized Customer Center/Dealer in your area.	1	

Service, repair and wear part kits Kit list

NO EXPLODED VIEW
AVAILABLE
FOR THIS BOM

Item	Part No.	Name	Qty	L
KIT	3363121228	Seal kit	1	
103	3360314375	O-ring	1	
108	3360314370	O-ring	1	
115	3360478171	O-ring	1	
120	3361031950	O-ring	1	
138	3360314373	O-ring	2	
145(146-147)	3361850422	Seal kit	2	
146		O-ring	2	
147		Back-up ring	2	
151	3363121175	Seal	1	
152	3363121176	Back-up ring	2	
153	3360314453	O-ring	1	
164	3361031912	O-ring	1	
165	3361850529	Back-up ring	1	
166	3361031990	O-ring	1	
182	3360478426	Threaded plug	1	
183	3360175125	O-ring	1	
185	3363123253	Seal	1	
186	3360314790	O-ring	1	
187	3363126739	Back-up ring	1	
202	3363106940	Seal	1	
204	3363106941	Seal	1	
290(291-292)	3363111493	Seal kit	2	
291		Seal	1	
292		Back-up ring	1	
305	3362267583	Stirromatic	6	
306	3362267585	Seal	2	
307	3362267582	Stirromatic	2	
308	3362267281	Seal	8	
311	3363106939	Wiper	1	
390(391-392)	3363111494	Seal kit	2	
391		Seal	1	
392		Back-up ring	1	
KIT	3363091732	Seal kit for swivel joint for automatic lubrication system	1	
KIT	3363116189	Plastic parts kit	1	
2	3363104071	Elastic pad	1	
3	3363104073	Shock absorber	2	

Refer to the DocMine web page for most up-to-date information. The printed information might be outdated.

Fri Mar 18 07:21:24 UTC 2022

Item	Part No.	Name	Qty	L
4	3363115362	Guide plate	2	
5	3363115363	Guide plate	2	
KIT	3363106930	Tensioning bolt kit	1	A
191		Tensioning bolt	2	
192	3363093649	Washer	2	
487	3363085379	Threaded insert	2	
KIT	3363106931	DustProtector kit	1	
11	3363100795	Floating ring (tribolid)	1	
12	3363100797	Counter ring	1	
13	3363100799	Guide ring	1	
14	3363069769	Bolt	2	
15	3361854363	Locking bush	2	
KIT	3363115940	Noise protection kit	1	
34	3363086015	Plug	10	
35	3362267893	Plug	1	
36	3363115515	Cover	2	
40	3363092697	Cover	1	
KIT	3363106934	Lower breaker part kit (steel)	1	
401	3360981927	Retainer bar	2	
402	3361854347	Bolt	2	
403	3362262925	Plug	4	
482	3363109237	Impact ring	1	
483	3363109239	Wear bush	1	
484	3363109241	Wear bush (steel)	1	
485	3361854363	Locking bush	4	
486	3361854347	Bolt	1	
-	3315038100	Bio chisel paste cartridge, 1 x 400 g (0.88 lbs)	1	
-	3363104899	Test gauge	1	
KIT	3363106932	Lower breaker part kit (bronze)	1	
401	3360981927	Retainer bar	2	
402	3361854347	Bolt	2	
403	3362262925	Plug	4	
482	3363109237	Impact ring	1	
483	3363109239	Wear bush	1	
484	3363114429	Wear bush (bronze)	1	
485	3361854363	Locking bush	4	
486	3361854347	Bolt	2	

Refer to the DocMine web page for most up-to-date information. The printed information might be outdated.

Fri Mar 18 07:21:24 UTC 2022

Item	Part No.	Name	Qty	L
-	3315038100	Bio chisel paste cartridge, 1 x 400 g (0.88 lbs)	1	
-	3363104899	Test gauge	1	
KIT	3363106935	Lower breaker part kit (steel) for DustProtector version	1	
18	3363109243	Base for wiper	1	
19	3363109245	Wiper	1	
401	3360981927	Retainer bar	2	
402	3361854347	Bolt	2	
403	3362262925	Plug	4	
482	3363109237	Impact ring	1	
483	3363109239	Wear bush	1	
484	3363109241	Wear bush (steel)	1	
485	3361854363	Locking bush	4	
486	3361854347	Bolt	2	
-	3315038100	Bio chisel paste cartridge, 1 x 400 g (0.88 lbs)	1	
-	3363104899	Test gauge	1	
KIT	3363106933	Lower breaker part kit (bronze) for DustProtector version	1	
18	3363109243	Base for wiper	1	
19	3363109245	Wiper	1	
401	3360981927	Retainer bar	2	
402	3361854347	Bolt	2	
403	3362262925	Plug	4	
482	3363109237	Impact ring	1	
483	3363109239	Wear bush	1	
484	3363114429	Wear bush (bronze)	1	
485	3361854363	Locking bush	4	
486	3361854347	Bolt	2	
-	3315038100	Bio chisel paste cartridge, 1 x 400 g (0.88 lbs)	1	
-	3363104899	Test gauge	1	
KIT	3363098088	Fastening screw kit	1	
161	3363070490	Allen screw	6	
163	3361333703	Pair of lock washers	6	
172	3361031989	Threaded insert	6	
KIT	3363089849	Accumulator repair kit	1	
-	3362261647	Diaphragm	1	
-	3360332259	Filling screw	1	
-	3360314460	O-ring	1	
-	3361335025	Protective cap	1	

Refer to the DocMine web page for most up-to-date information. The printed information might be outdated.

Fri Mar 18 07:21:24 UTC 2022

Item	Part No.	Name	Qty	L
-	3361031912	O-ring	1	
-	3361850529	Back-up ring	1	

Comments for Page: Kit list

A | You need Anti-Seize agent when fitting tensioning bolts. You have to order it separately.

Anti-seize 120 g, part number 3363094300

Or buy it locally according to the following specification:

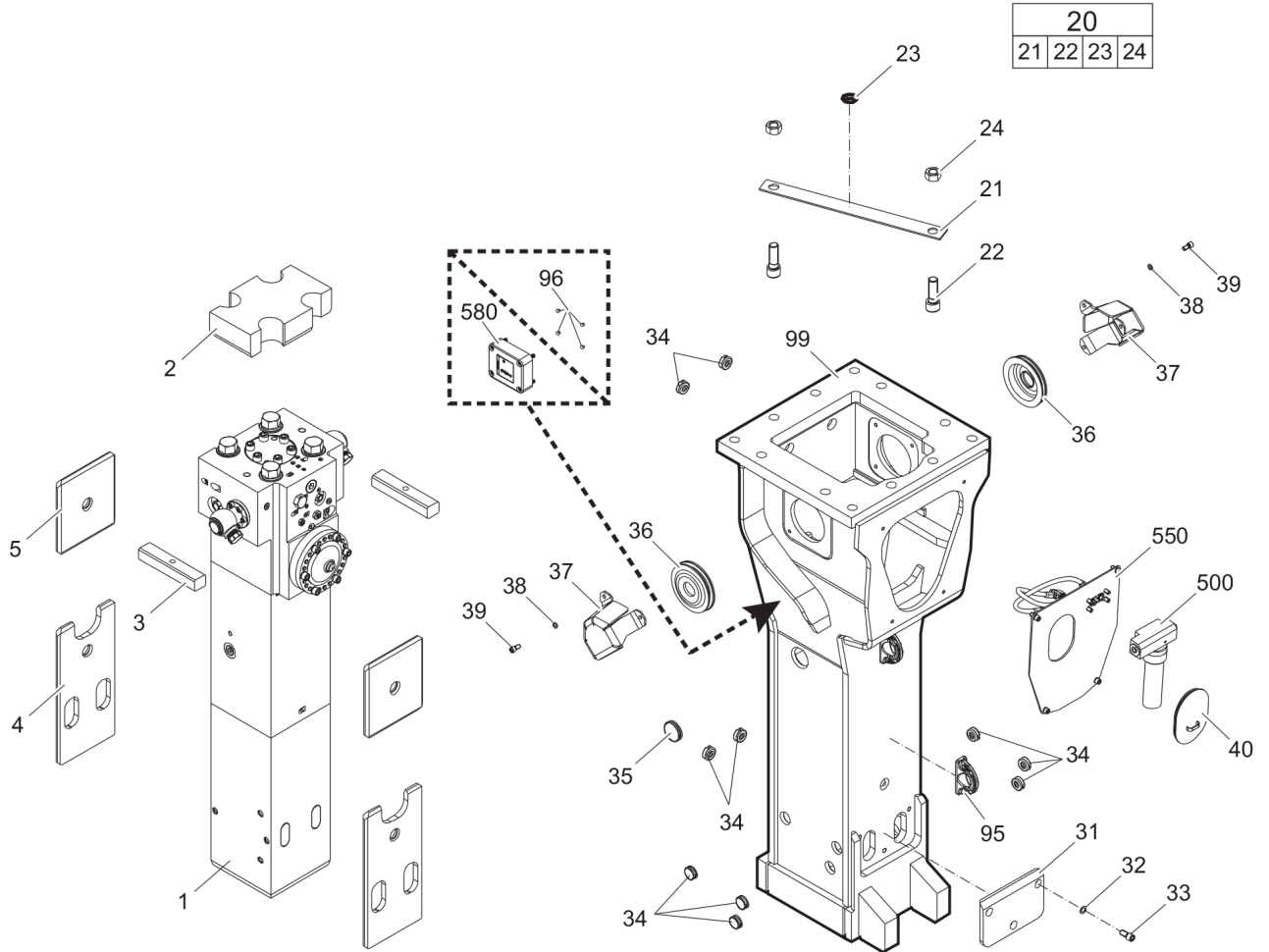
coefficient of friction 0.14 μ

coefficient of friction thread 0.13 μ

coefficient of friction on upside down 0.15 μ

This page intentionally left blank

Mechanical Hydraulic breaker HB 2000



Item	Part No.	Name	Qty	L
1		Percussion unit	1	A
2	3363104071	Elastic pad	1	
3	3363104073	Shock absorber	2	
4	3363115362	Guide plate	2	
5	3363115363	Guide plate	2	
20(21-24)	3363083343	Transport safety device complete	1	
21		Transport safety device	1	
22	3360026883	Allen screw	2	
23	3363091872	Label transport safety device	1	
24	3360103254	Nut	2	
31	3363115644	Plate	1	
32	3361333703	Pair of lock washers	3	
33	3362328113	Allen screw	3	
34	3363086015	Plug	10	
35	3362267893	Plug	1	
36	3363115515	Cover	2	
37	3363115524	Swivel joint cover	2	
38	3361850596	Pair of lock washers	6	
39	3360103750	Allen screw	6	
40	3363092697	Cover	1	
95	3363111994	Lifting eye	2	B
96	3315439145	Protective plug HATCON	1	C
99	3363115652	Breaker box	1	D
500	3363067123	Automatic lubrication system	1	
550		Connecting kit for automatic lubrication system	1	A
580		HATCON	1	E

Comments for Page: Hydraulic breaker HB 2000

(L)OCAL REMARKS

A | see separate chapter

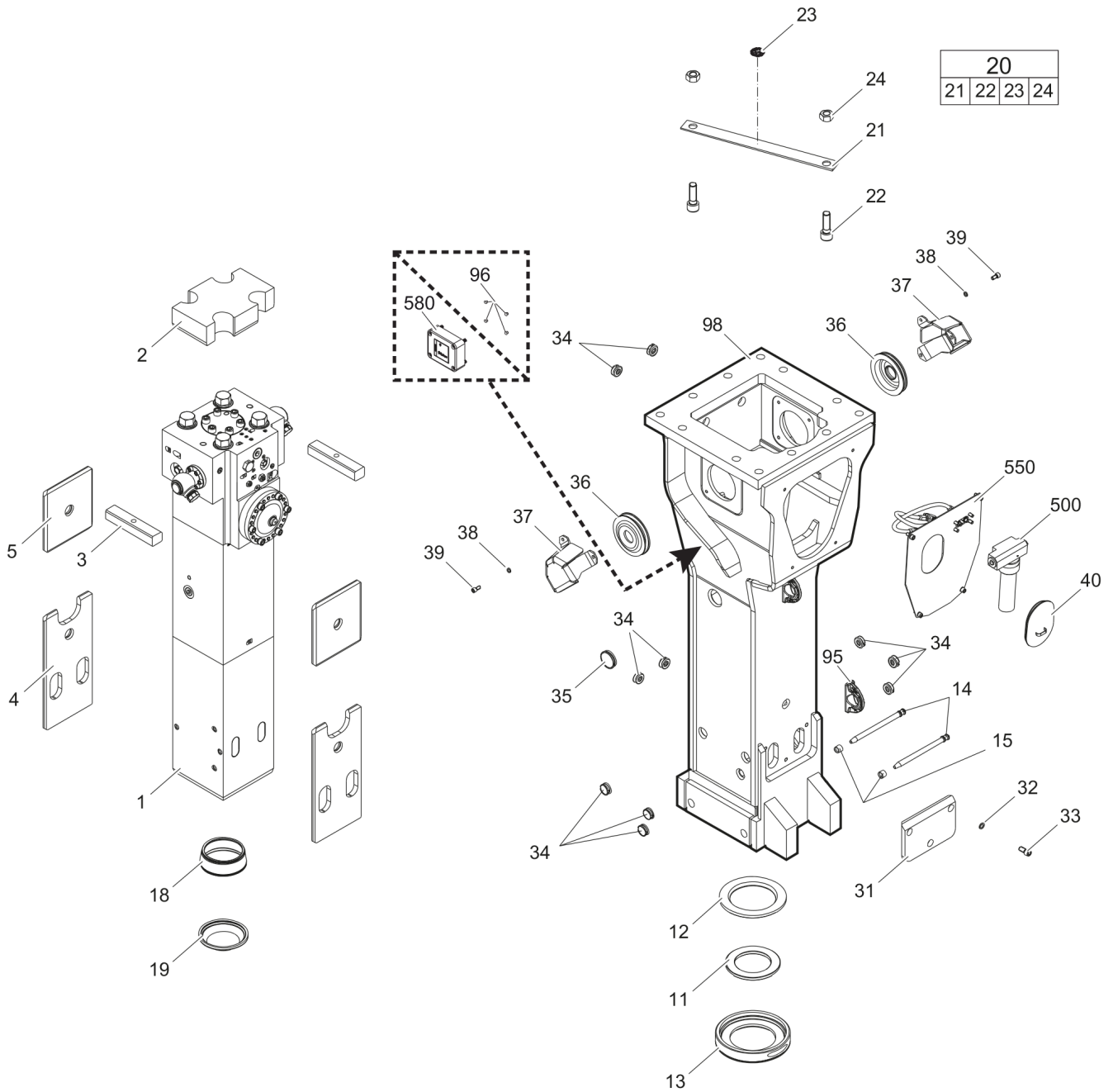
B | professional welding process necessary

C | only for hydraulic breakers without HATCON

D | with item 95 and 96

E | only for hydraulic breakers with HATCON / see separate chapter

Mechanical Hydraulic breaker HB 2000 DP



Item	Part No.	Name	Qty	L
1		Percussion unit	1	A
2	3363104071	Elastic pad	1	
3	3363104073	Shock absorber	2	
4	3363115362	Guide plate	2	
5	3363115363	Guide plate	2	
11	3363100795	Floating ring (tribolid)	1	B
12	3363100797	Counter ring	1	
13	3363100799	Guide ring	1	
14	3363069769	Bolt	2	
15	3361854363	Locking bush	2	
18	3363109243	Base for wiper	1	
19	3363109245	Wiper	1	
20(21-24)	3363083343	Transport safety device complete	1	
21		Transport safety device	1	
22	3360026883	Allen screw	2	
23	3363091872	Label transport safety device	1	
24	3360103254	Nut	2	
31	3363115644	Plate	1	
32	3361333703	Pair of lock washers	3	
33	3362328113	Allen screw	3	
34	3363086015	Plug	10	
35	3362267893	Plug	1	
36	3363115515	Cover	2	
37	3363115524	Swivel joint cover	2	
38	3361850596	Pair of lock washers	6	
39	3360103750	Allen screw	6	
40	3363092697	Cover	1	
95	3363111994	Lifting eye	2	C
96	3315439145	Protective plug HATCON	4	D
98	3363115643	Breaker box	1	E
500	3363067123	Automatic lubrication system	1	
550		Connecting kit for automatic lubrication system	1	A
580		HATCON	1	F

Comments for Page: Hydraulic breaker HB 2000 DP

(L)OCAL REMARKS

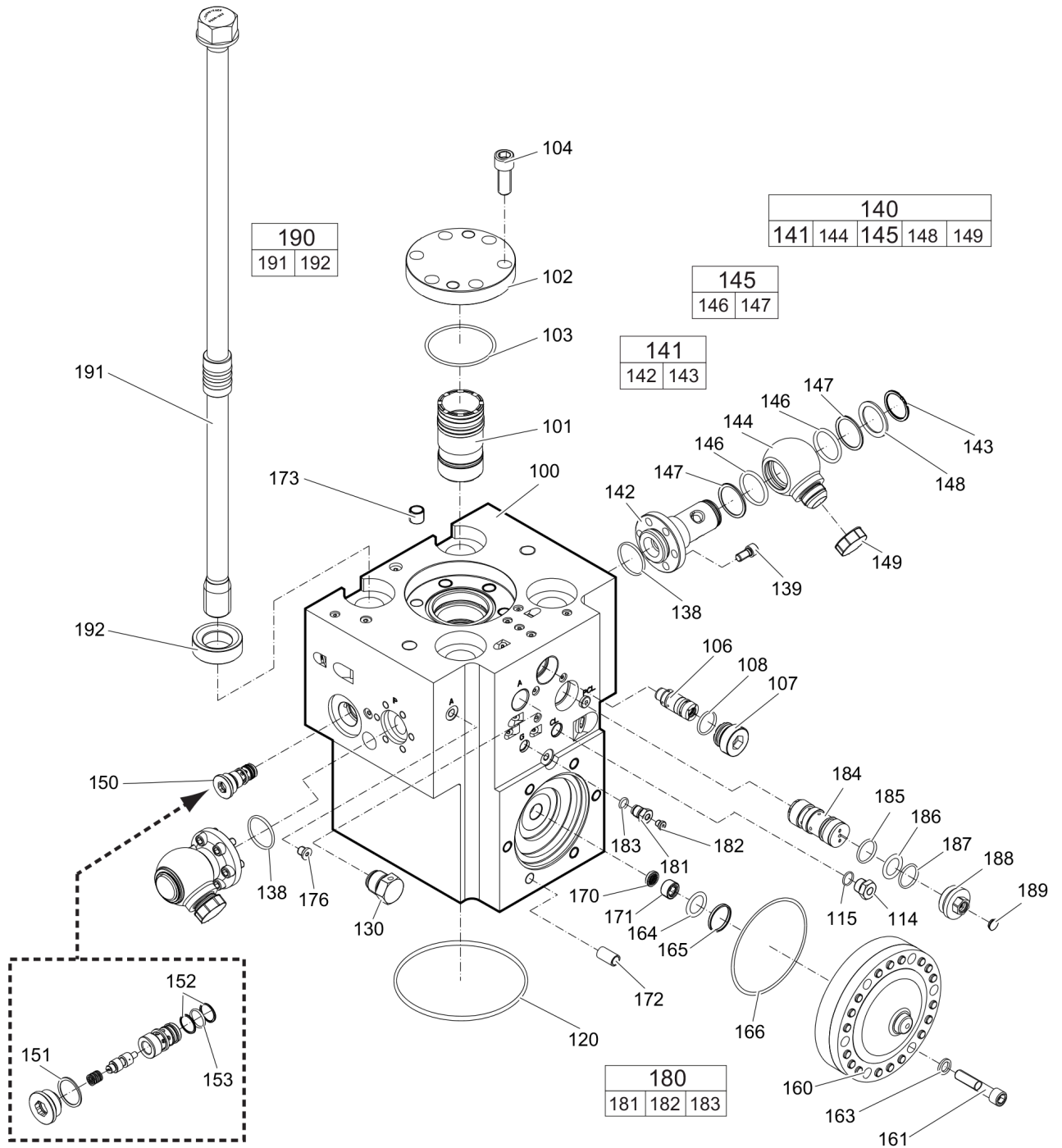
Refer to the DocMine web page for most up-to-date information. The printed information might be outdated.

Fri Mar 18 07:21:30 UTC 2022

- A | see separate chapter
- B | steel see chapter Optional parts
- C | professional welding process necessary
- D | only for hydraulic breakers without HATCON
- E | with item 95 and 96
- F | only for hydraulic breakers with HATCON / see separate chapter

This page intentionally left blank

Mechanical Percussion unit part 1: cylinder cover



Item	Part No.	Name	Qty	L
100	3363119865	Cylinder cover	1	A
101	3363097715	Main control valve	1	
102	3363097717	Cover	1	
103	3360314375	O-ring	1	
104	3360026782	Allen screw	6	
106	3363035453	Valve	1	B
107	3363035425	Threaded plug	1	
108	3360314370	O-ring	1	
114	3361854657	Connecting screw	1	
115	3360478171	O-ring	1	
120	3361031950	O-ring	1	
130	3361854511	Non-return valve	1	
138	3360314373	O-ring	2	
139	3360103750	Allen screw	12	
140(141-149)	3363116891	Swivel joint complete	2	
141(142-143)	3363116890	Adapter complete	1	
142		Adapter	1	
143	3363116062	Snapring	1	
144	3361356643	Adapter	1	
145(146-147)	3361850422	Seal kit	1	
146		O-ring	2	
147		Back-up ring	2	
148	3361356645	Disk	1	
149	3361353489	Cap	1	
150	3363120683	Valve	1	C
151	3363121175	Seal	1	
152	3363121176	Back-up ring	2	
153	3360314453	O-ring	1	
160	3363069585	HP-accumulator	1	
161	3363070490	Allen screw	6	
163	3361333703	Pair of lock washers	6	
164	3361031912	O-ring	1	
165	3361850529	Back-up ring	1	
166	3361031990	O-ring	1	
170	3361844113	Strainer disk	1	
171	3361844115	Threaded plug	1	
172	3361031989	Threaded insert	6	

Refer to the DocMine web page for most up-to-date information. The printed information might be outdated.

Fri Mar 18 07:21:31 UTC 2022

Item	Part No.	Name	Qty	L
173	3361031529	Threaded insert	6	
176	3360478439	Threaded plug	1	
180(181-183)	3363087286	Filling valve complete	1	
181		Filling valve	1	
182	3360478426	Threaded plug	1	
183	3360175125	O-ring	1	
184	3363126207	Safety valve	1	D
185	3363123253	Seal	1	
186	3360314790	O-ring	1	
187	3363126739	Back-up ring	1	
188	3363126740	Threaded plug	1	E
189	3363087087	Cap	1	
190(191-192)	3363106905	Tensioning bolt complete	4	
191		Tensioning bolt	1	
192	3363093649	Washer	1	

Comments for Page: Percussion unit part 1: cylinder cover

(L)OCAL REMARKS

A | with items 170 - 176

B | AutoControl

C | IPS - Intelligent Protection System, with item 151 - 153

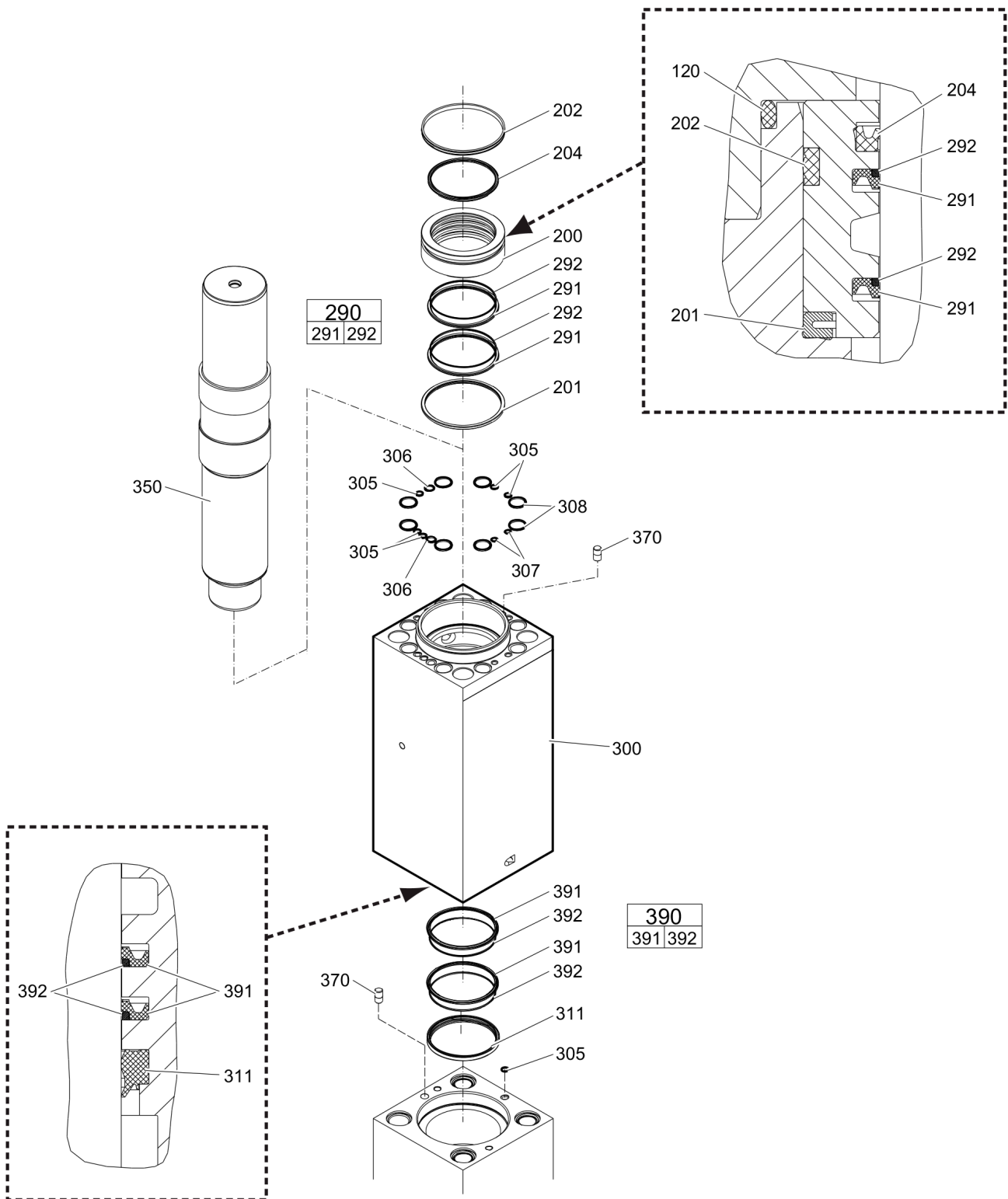
D | PowerAdapt, with item 185

Only in exchange for the part to be replaced. Consult the authorized Customer Center/Dealer in your area.

E | with item 186, 187, 189

This page intentionally left blank

Mechanical Percussion unit part 2: cylinder

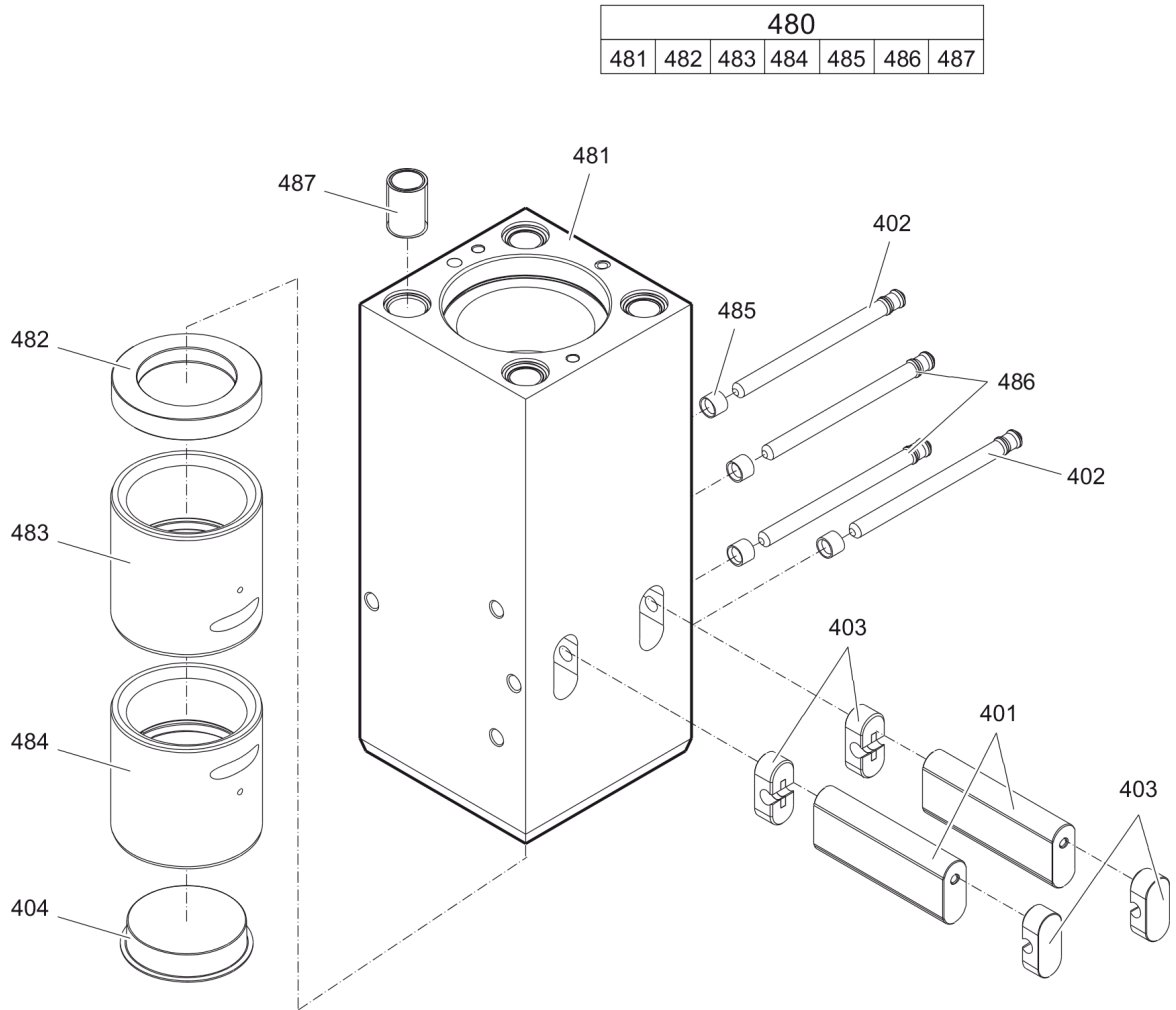


Refer to the DocMine web page for most up-to-date information. The printed information might be outdated.

Fri Mar 18 07:21:32 UTC 2022

Item	Part No.	Name	Qty	L
200	3363109221	Seal bush	1	
201	3363109227	Ring	1	
202	3363106940	Seal	1	
204	3363106941	Seal	1	
290(291-292)	3363111493	Seal kit	2	
291		Seal	1	
292		Back-up ring	1	
300	3363120052	Cylinder	1	
311	3363106939	Wiper	1	
305	3362267583	Stirromatic	6	
306	3362267585	Seal	2	
307	3362267582	Stirromatic	2	
308	3362267281	Seal	8	
350	3363106901	Percussion piston	1	
370	3362268185	Lock pin	2	
390(391-392)	3363111494	Seal kit	2	
391		Seal	1	
392		Back-up ring	1	

Mechanical Percussion unit part 3: lower breaker part (steel)



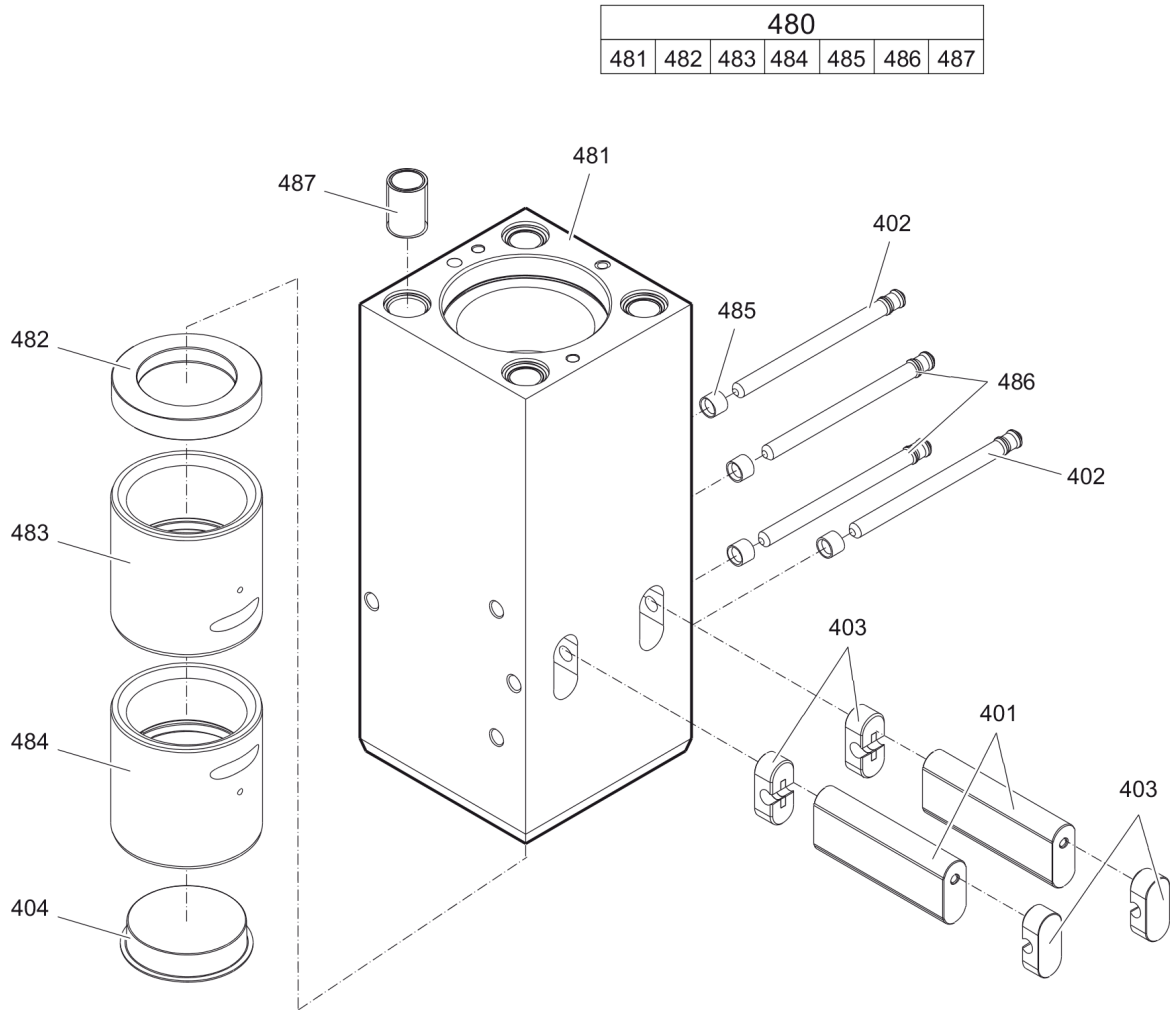
Item	Part No.	Name	Qty	L
401	3360981927	Retainer bar	2	
402	3361854347	Bolt	2	
403	3362262925	Plug	4	
404	3363106942	Protective cap	1	
480(481-487)	3363106904	Lower breaker part complete (steel)	1	A
481		Lower breaker part	1	
482	3363109237	Impact ring	1	
483	3363109239	Wear bush	1	
484	3363109241	Wear bush (steel)	1	
485	3361854363	Locking bush	4	
486	3361854347	Bolt	2	
487	3363085379	Threaded insert	4	

Comments for Page: Percussion unit part 3: lower breaker part (steel)

(L)OCAL REMARKS

A | Note: When ordering a lower breaker part for DustProtector version it is imperative to order additionally the base for wiper (item 18) and the wiper (item 19).

Mechanical Percussion unit part 3: lower breaker part (bronze)



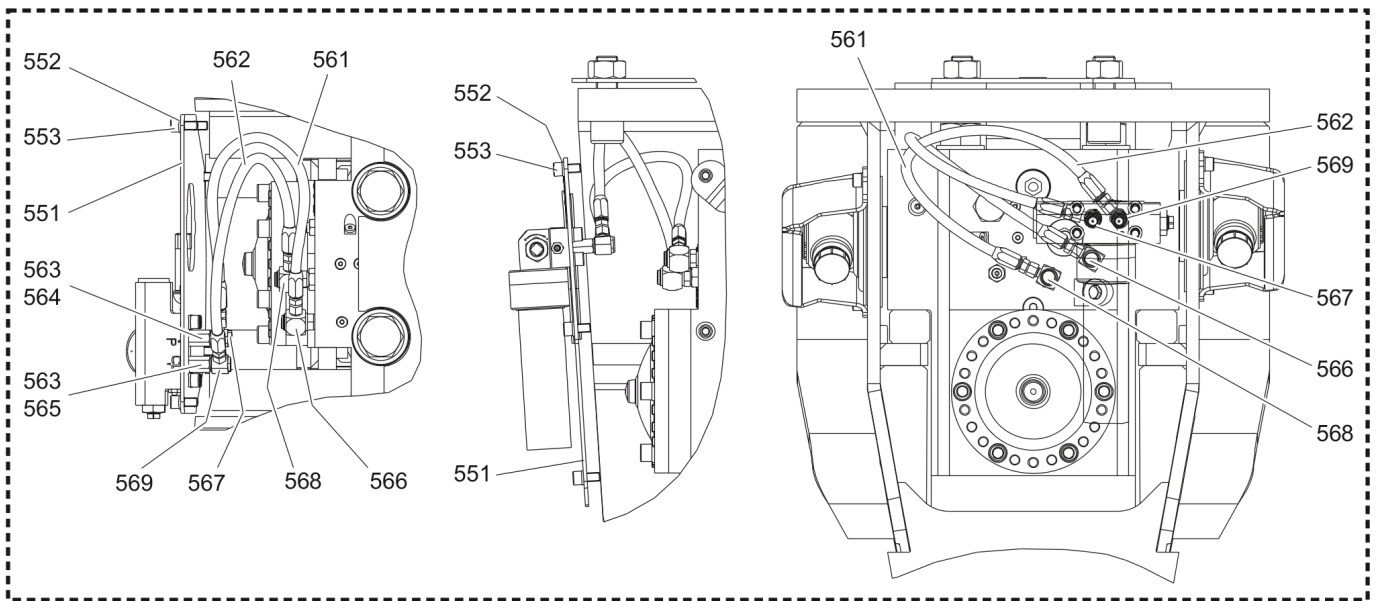
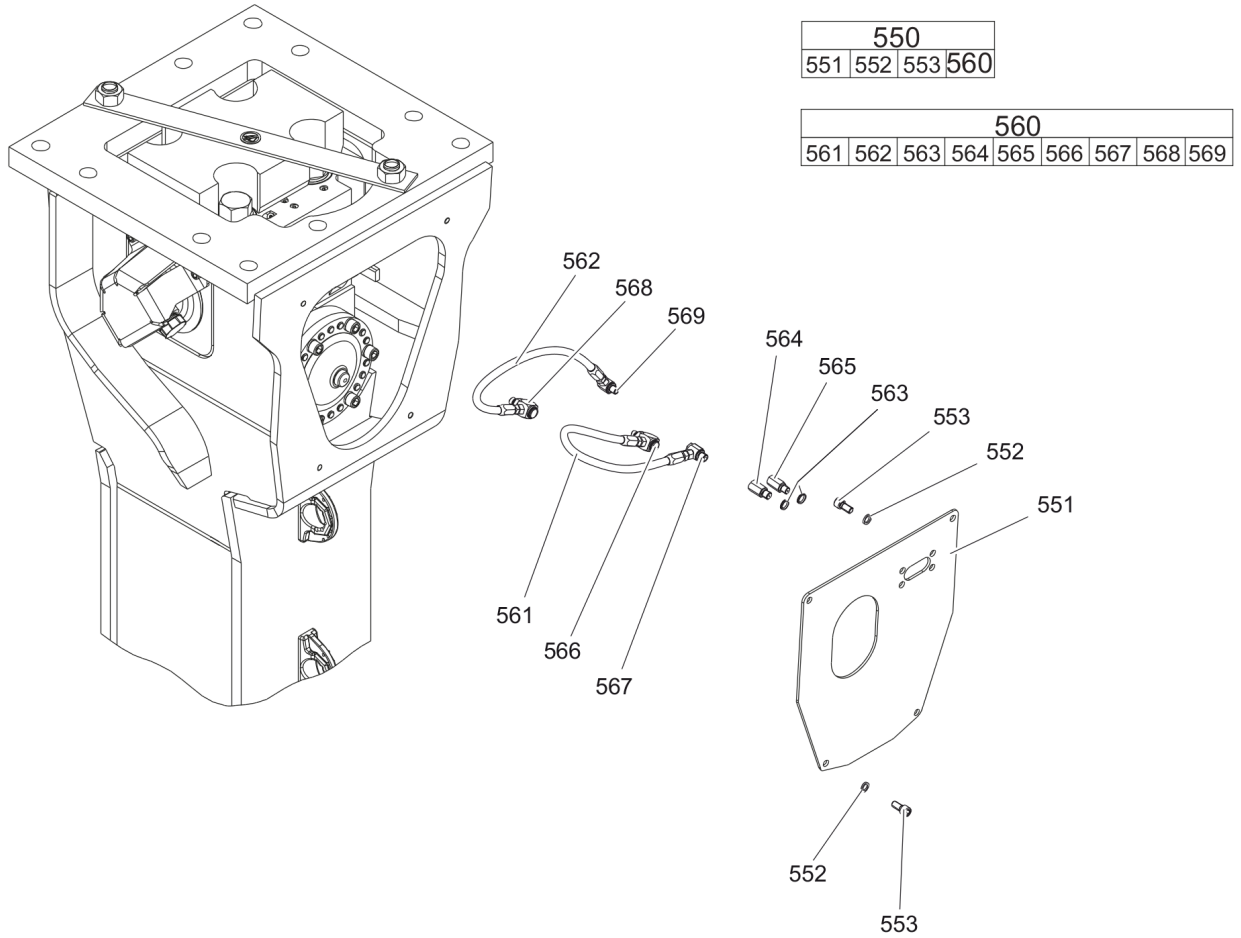
Item	Part No.	Name	Qty	L
401	3360981927	Retainer bar	2	
402	3361854347	Bolt	2	
403	3362262925	Plug	4	
404	3363106942	Protective cap	1	
480(481-487)	3363116897	Lower breaker part complete (bronze)	1	A
481		Lower breaker part	1	
482	3363109237	Impact ring	1	
483	3363109239	Wear bush	1	
484	3363114429	Wear bush (bronze)	1	
485	3361854363	Locking bush	4	
486	3361854347	Bolt	2	
487	3363085379	Threaded insert	4	

Comments for Page: Percussion unit part 3: lower breaker part (bronze)

(L)OCAL REMARKS

A | Note: When ordering a lower breaker part for DustProtector version it is imperative to order additionally the base for wiper (item 18) and the wiper (item 19).

Mechanical Connecting kit for automatic lubrication system



Refer to the DocMine web page for most up-to-date information. The printed information might be outdated.

Fri Mar 18 07:21:34 UTC 2022

Item	Part No.	Name	Qty	L
550(551-560)		Connecting kit for automatic lubrication system	1	
551	3363103056	Plate	1	
552	3361850596	Pair of lock washers	8	
553	3360103750	Allen screw	8	A
560(561-569)	3363118067	Connecting kit for automatic lubrication system	1	B
561	3363083878	Hydraulic hose	1	C
562	3363083874	Hydraulic hose	1	D
563	3363066951	Seal	2	
564	3363068745	Adapter	1	E
565	3363066887	Adapter	1	E
566	3363087185	Fitting	1	E
567	3363066234	Fitting	1	E
568	3363087186	Fitting	1	E
569	3363066233	Fitting	1	E

Comments for Page: Connecting kit for automatic lubrication system

(L)OCAL REMARKS

A | secure all 4 allen screws with Loctite 243 screwed in the automatic lubrication system

B | without fastening elements

C | Oil line

secure with Loctite 243

Route the hydraulic hoses as shown on the drawing. It must be ensured that the hydraulic hoses can move freely and are not in contact at any point.

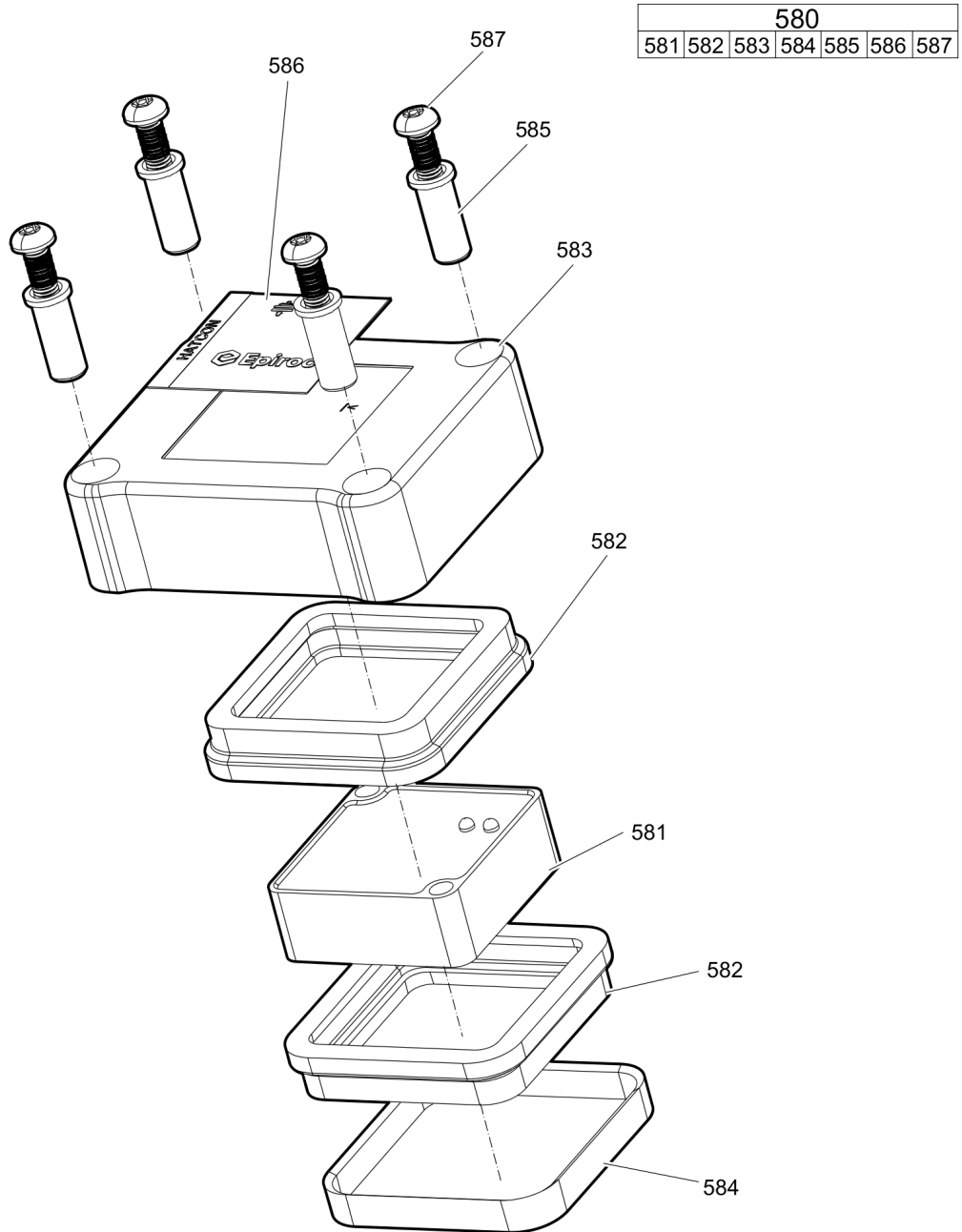
D | Grease line

secure with Loctite 243

Route the hydraulic hoses as shown on the drawing. It must be ensured that the hydraulic hoses can move freely and are not in contact at any point.

E | secure with Loctite 243

Mechanical HATCON

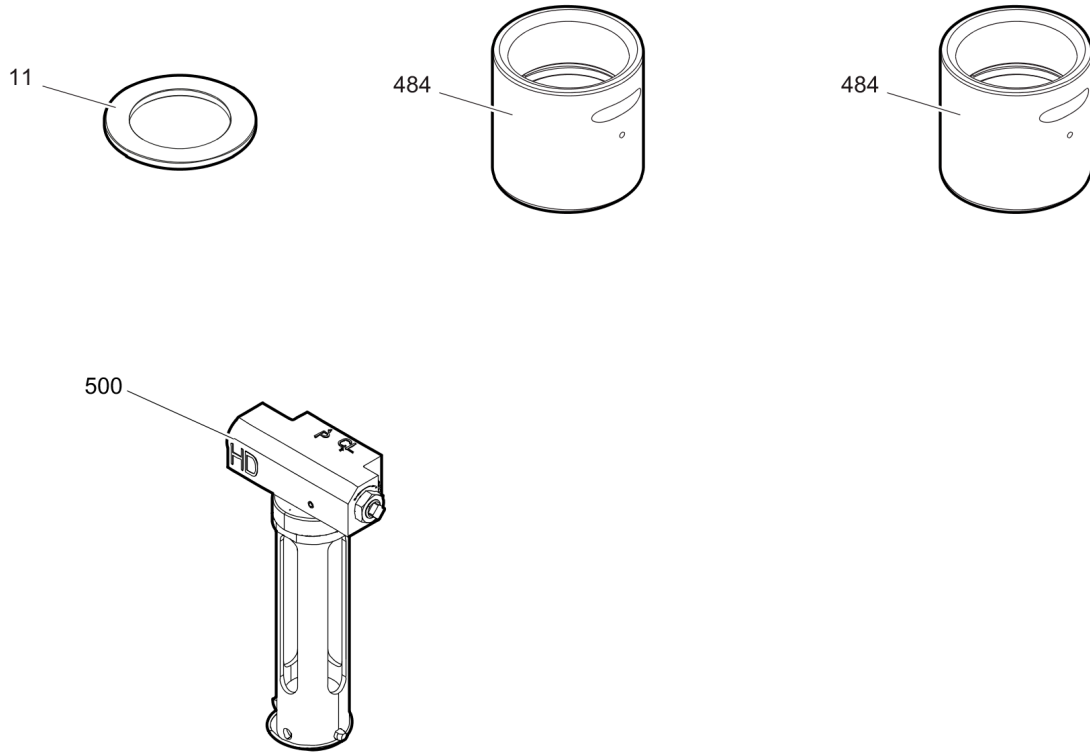


Item	Part No.	Name	Qty	L
580(581-587)		HATCON	1	A
581		Tracking module HATCON	1	
582	3315439130	Damper HATCON	2	
583	3315439110	Housing type 1 HATCON	1	
584	3315439140	Lock ring HATCON	1	
585	3315439120	Sleeve HATCON	4	
586	3315439100	Product label HATCON	1	
587	3315442600	Screw HATCON	4	

Comments for Page: HATCON

A | part number see chapter "Optional equipment"

Mechanical Optional parts



Item	Part No.	Name	Qty	L
11	3363100775	Floating ring (steel)	1	
484	3363114429	Wear bush (bronze)	1	
484	3363109241	Wear bush (steel)	1	
500	3363117931	Automatic lubrication system HD	1	

Mechanical Tightening torques

**NO EXPLODED VIEW
AVAILABLE
FOR THIS BOM**

Item	Part No.	Name	Qty	L
22	-	Allen screw - 240 Nm (177 ft lbf)	-	A
33	-	Allen screw - 200 Nm (148 ft lbf)	-	B
39	-	Allen screw - 85 Nm (63 ft lbf)	-	C
104	-	Allen screw - 380 Nm (280 ft lbf)	-	D
107	-	Threaded plug - 300 Nm (221 ft lbf)	-	A
110	-	Threaded plug - 300 Nm (221 ft lbf)	-	E
130	-	Non-return valve - 200 Nm (148 ft lbf)	-	F
139	-	Allen screw - 80 Nm (59 ft lbf)	-	C
150	-	Valve - 250 Nm (184 ft lbf)	-	P
161	-	Fastening screw - 350 Nm (258 ft lbf)	-	B
181	-	Filling valve - 130 Nm (96 ft lbf)	-	G
182	-	Threaded plug - 20 Nm (15 ft lbf)	-	H
191	-	Tensioning bolt -	-	I
553	-	Allen screw - 85 Nm (63 ft lbf)	-	C
561	-	Hydraulic hose - 42 Nm (31 ft lbf)	-	J
562	-	Hydraulic hose - 16 Nm (12 ft lbf)	-	K
564	-	Adapter - 55 Nm (41 ft lbf)	-	J
565	-	Adapter - 45 Nm (33 ft lbf)	-	J
566	-	Fitting - 60 Nm (44 ft lbf)	-	L
567	-	Fitting - 55 Nm (41 ft lbf)	-	M
568	-	Fitting - 50 Nm (37 ft lbf)	-	N
569	-	Fitting - 45 Nm (33 ft lbf)	-	O
587	-	Screw HATCON - 22 Nm (16 ft lbf)	-	Q

Comments for Page: Tightening torques

(L)OCAL REMARKS

A | Allen key size 22

B | Allen key size 14

C | Allen key size 10

D | Allen key size 17

E | Socket spanner size 24

F | Socket spanner size 41

G | Socket spanner size 22

H | Allen key size 5

I | Torque wrench or Power wrench size 55

1. Pretighten the tensioning bolts to 500 Nm (369 ft lbf), proceeding in a crosswise fashion,

2. then tighten each tensioning bolt through 120° (2 sides of hexagonal head) in a crosswise fashion,

Refer to the DocMine web page for most up-to-date information. The printed information might be outdated.

Fri Mar 18 07:21:38 UTC 2022

3. finally tighten each tensioning bolt again through 150° (2 1/2 sides of hexagonal head) in a crosswise fashion.

J | Open-ended wrench size 19

K | Open-ended wrench size 17

L | Open-ended wrench size 19, 22, 27

M | Open-ended wrench size 19, 22

N | Open-ended wrench size 17, 22, 27

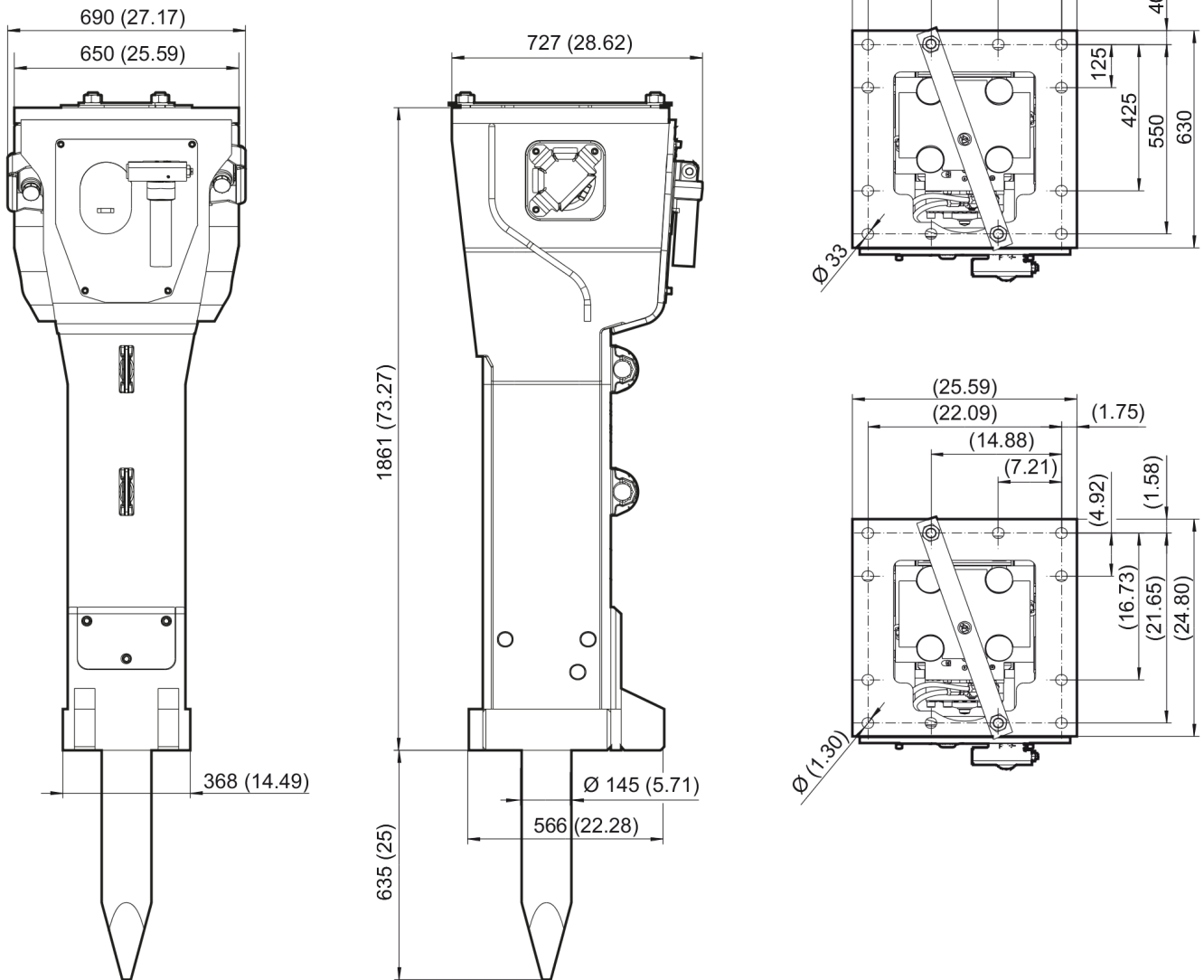
O | Open-ended wrench size 17, 19, 22

P | Allen key size 24

Q | Security bit HATCON

This page intentionally left blank

Mechanical Dimensions HB 2000

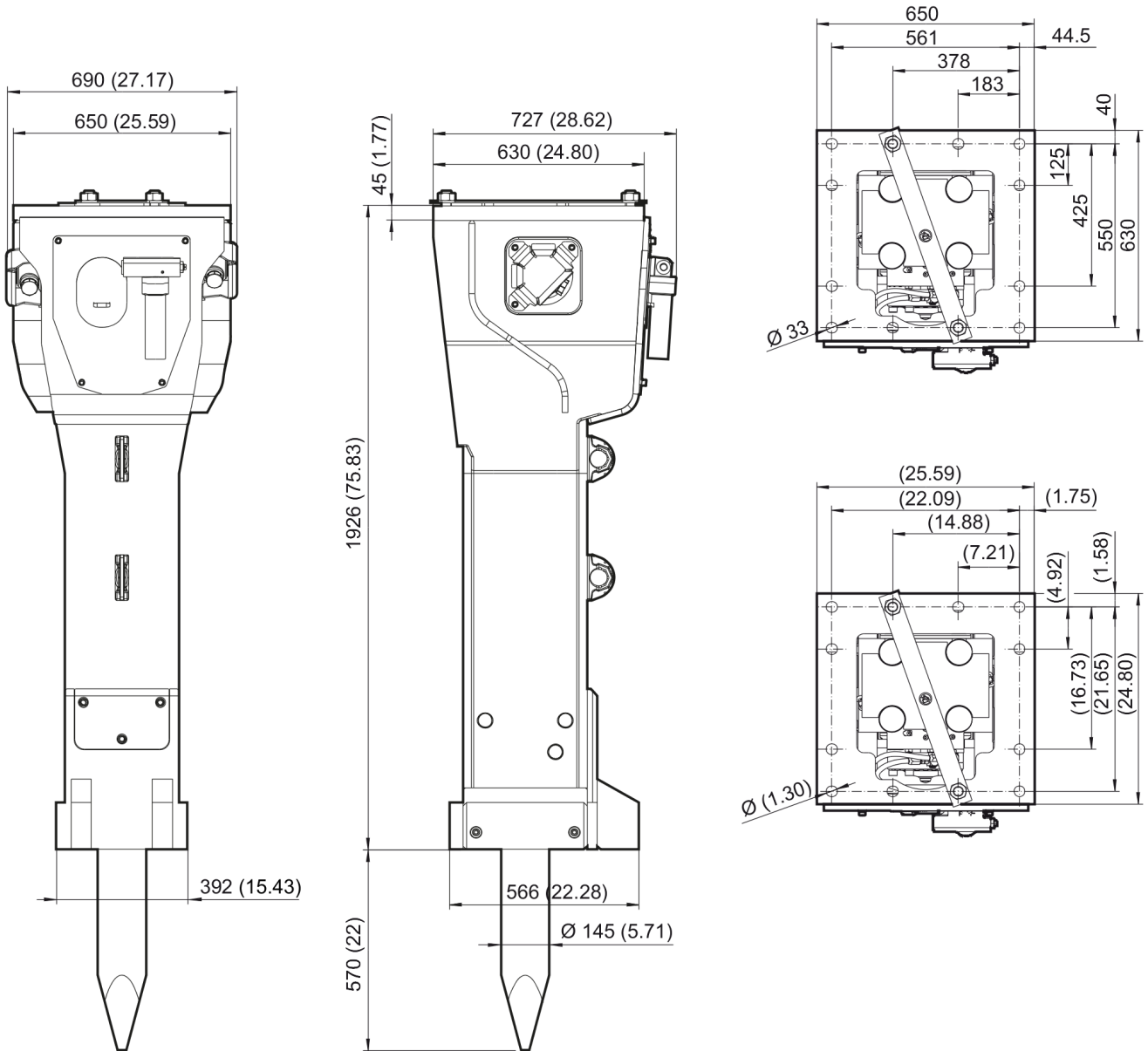


Refer to the DocMine web page for most up-to-date information. The printed information might be outdated.

Fri Mar 18 07:21:38 UTC 2022

This page intentionally left blank

Mechanical Dimensions HB 2000 DP



Refer to the DocMine web page for most up-to-date information. The printed information might be outdated.

Fri Mar 18 07:21:38 UTC 2022

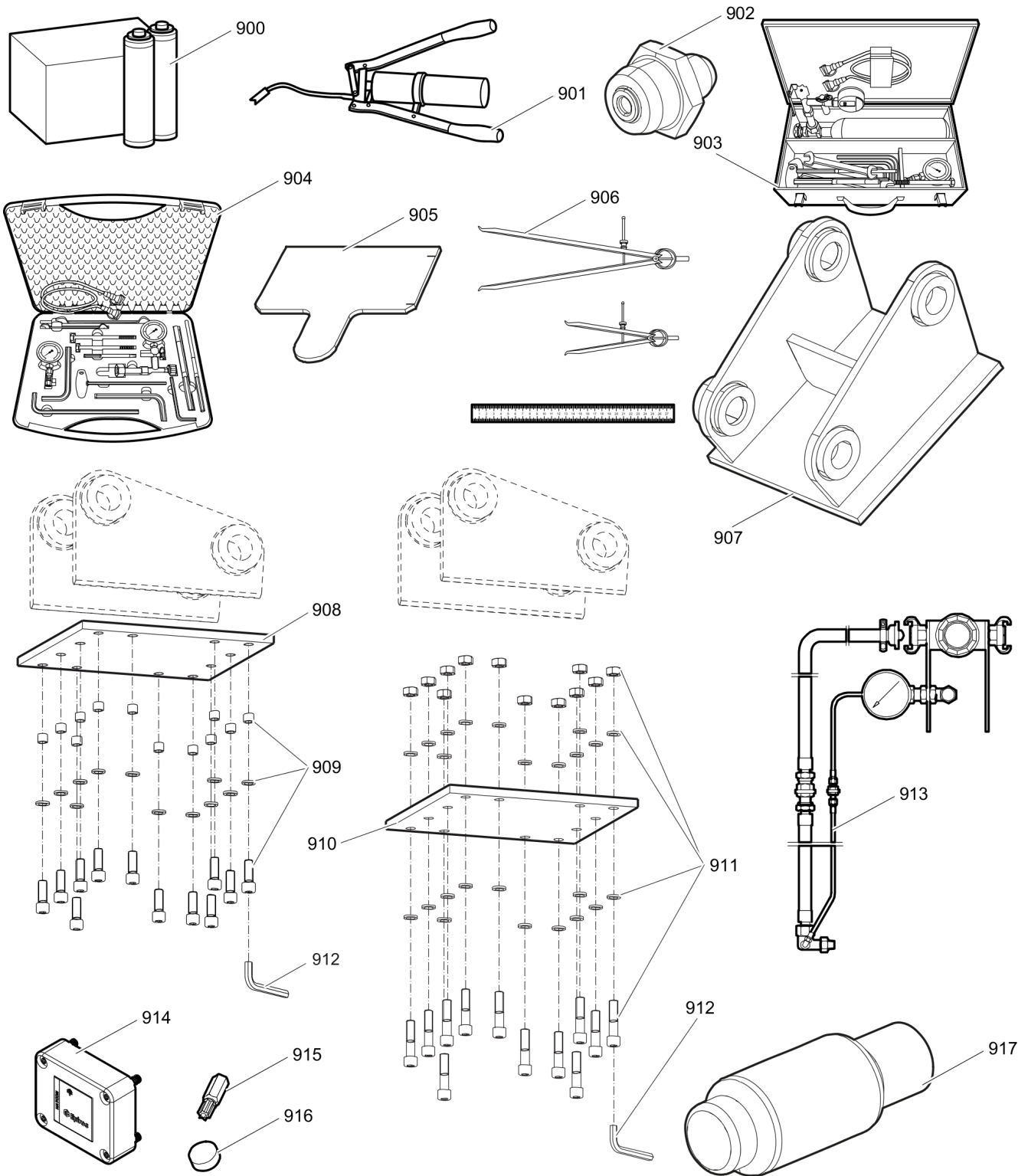
This page intentionally left blank

Options / accessories Hydraulic hoses

**NO EXPLODED VIEW
AVAILABLE
FOR THIS BOM**

Item	Part No.	Name	Qty	L
-	3363031190	Hydraulic hose, I.D. 25 (1"), both ends JIC 1 5/8", length 2300 mm (91 in.)	2	
-	3363031191	Hydraulic hose, I.D. 25 (1"), both ends JIC 1 5/8", length 2800 mm (110 in.)	2	

Options / accessories Optional equipment



Refer to the DocMine web page for most up-to-date information. The printed information might be outdated.
Fri Mar 18 07:21:41 UTC 2022

Item	Part No.	Name	Qty	L
900	3363122356	Bio chisel paste cartridge, 12 x 550 g (1.2 lbs)	1	
900	3363091200	Chisel paste cartridge, 12 x 500 g (1.1 lbs)	1	
901	3363034567	GREASE PUMP	1	
902	3360433774	Grease nipple	1	
903	3363089844	Maintenance and charging box with nitrogen cylinder, 2 l, 0.43 gal (0.53 US gal)	1	
904	3363094940	Maintenance and charging box without nitrogen cylinder	1	
905	3363104899	Test gauge	1	
906	3363094952	Inside callipers upper wear bush	1	
907		Adapter plate matching the carrier. Consult the authorized Customer Center/Dealer in your area.	1	
908	3363099795	Base plate with threaded inserts	1	
909	3363087303	Bolt kit	1	
910	3363100699	Base plate with through borings	1	
911	3363094575	Bolt kit	1	
912	3360209445	Allen key (22 mm)	1	
913	3363090531	Adapter kit for underwater applications	1	
914	3315442500	Retrofit kit HATCON	1	A
915	3315439105	Security bit HATCON	1	
916	3315439106	Magnet HATCON	1	
917	3363105733	Piston retainer	1	B

Comments for Page: Optional equipment

A | with item 915 and 916

Hydraulic breakers are factory equipped with threads for attaching Retrofit kit HATCON

from s/n DEQ192038 - (HB 2000 with lower wear bush steel)

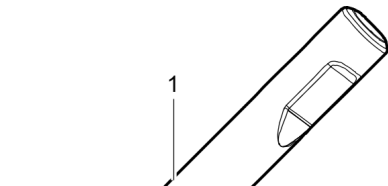
from s/n DEQ192151 - (HB 2000 with lower wear bush bronze)

from s/n DEQ200089 - (HB 2000 DP with lower wear bush steel)

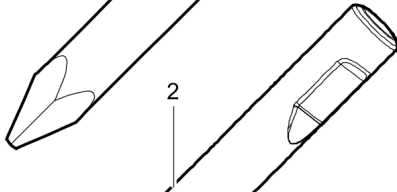
from s/n DEQ200319 - (HB 2000 DP with lower wear bush bronze)

B | Consult the authorized Customer Center/Dealer in your area.

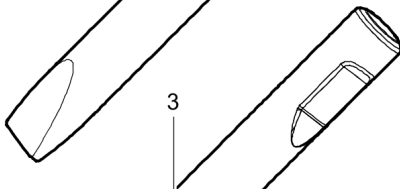
Options / accessories Working tools ClassicLine HB 2000



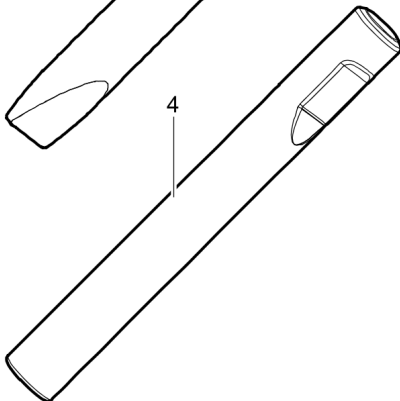
Ø=145 mm, L= 635 mm, LT=1200 mm, Wt=136.0 kg
 Ø=5.71 inch, L=25 inch, LT=47.24 inch, Wt=299.8 lb



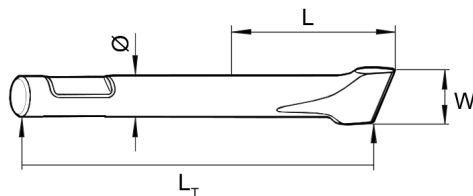
Ø=145 mm, W=145 mm, L= 635 mm, LT=1200 mm, Wt=142.0 kg
 Ø=5.71 inch, W=5.71 inch, L=25 inch, LT=47.24 inch, Wt=313.1 lb



Ø=145 mm, W=145 mm, L= 635 mm, LT=1200 mm, Wt=142.0 kg
 Ø=5.71 inch, W=5.71 inch, L=25 inch, LT=47.24 inch, Wt=313.1 lb

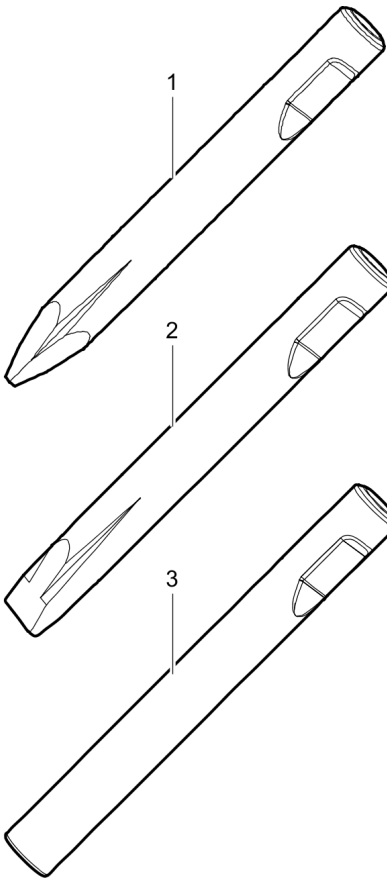


Ø=145 mm, L= 635 mm, LT=1200 mm, Wt=151.0 kg
 Ø=5.71 inch, L=25 inch, LT=47.24 inch, Wt=332.9 lb



Item	Part No.	Name	Qty	L
1	3363119599	Moil point	1	
2	3363119600	Chisel (cross)	1	
3	3363119601	Chisel (parallel)	1	
4	3363119602	Blunt tool	1	

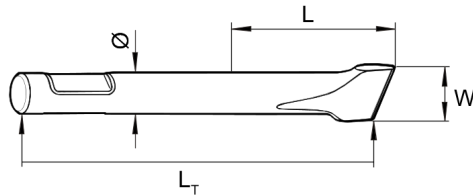
Options / accessories Working tools ProLine HB 2000



Ø=145 mm, L= 665 mm, LT=1230 mm, Wt=139.0 kg
 Ø=5.71 inch, L=26 inch, LT=48.43 inch, Wt=306.4 lb

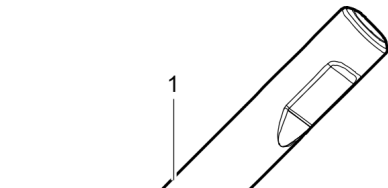
Ø=145 mm, W=145 mm, L= 665 mm, LT=1230 mm, Wt=144.0 kg
 Ø=5.71 inch, W=5.71 inch, L=26 inch, LT=48.43 inch, Wt=317.5 lb

Ø=145 mm, L= 665 mm, LT=1230 mm, Wt=155.0 kg
 Ø=5.71 inch, L=26 inch, LT=48.43 inch, Wt=341.7 lb

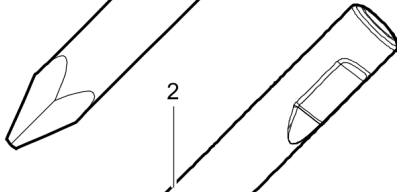


Item	Part No.	Name	Qty	L
1	3363118360	Moil point	1	
2	3363118361	Chisel (cross)	1	
3	3363109249	Blunt tool	1	

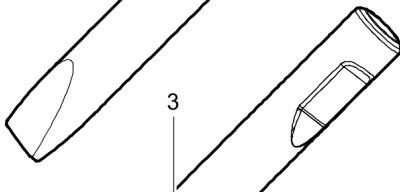
Options / accessories Working tools ClassicLine HB 2000 DP



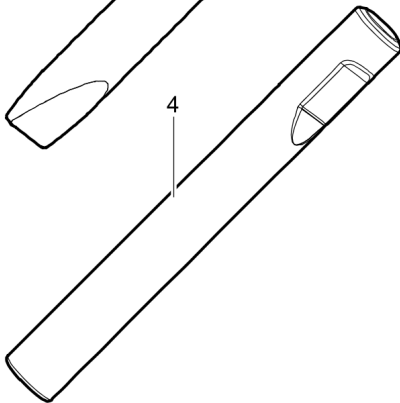
$\varnothing=145$ mm, L= 570 mm, LT=1200 mm, Wt=136.0 kg
 $\varnothing=5.71$ inch, L=22 inch, LT=47.24 inch, Wt=299.8 lb



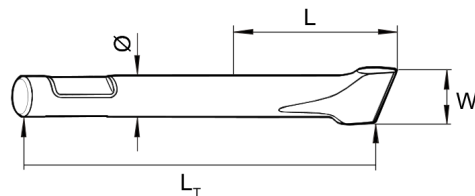
$\varnothing=145$ mm, W=145 mm, L= 570 mm, LT=1200 mm, Wt=142.0 kg
 $\varnothing=5.71$ inch, W=5.71 inch, L=22 inch, LT=47.24 inch, Wt=313.1 lb



$\varnothing=145$ mm, W=145 mm, L= 570 mm, LT=1200 mm, Wt=142.0 kg
 $\varnothing=5.71$ inch, W=5.71 inch, L=22 inch, LT=47.24 inch, Wt=313.1 lb

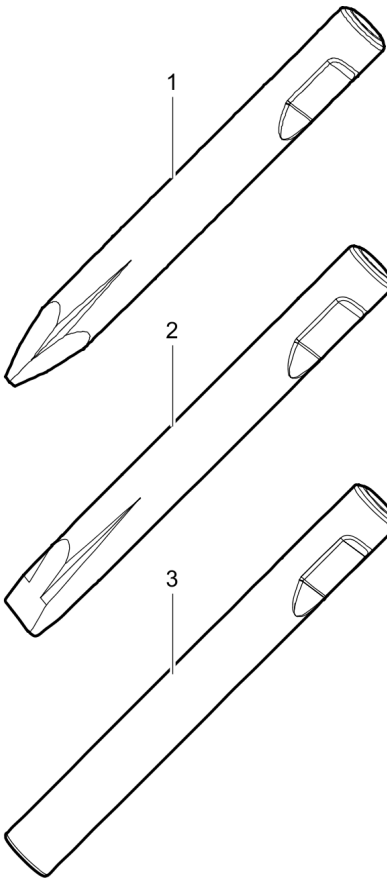


$\varnothing=145$ mm, L= 570 mm, LT=1200 mm, Wt=151.0 kg
 $\varnothing=5.71$ inch, L=22 inch, LT=47.24 inch, Wt=332.9 lb



Item	Part No.	Name	Qty	L
1	3363119599	Moil point	1	
2	3363119600	Chisel (cross)	1	
3	3363119601	Chisel (parallel)	1	
4	3363119602	Blunt tool	1	

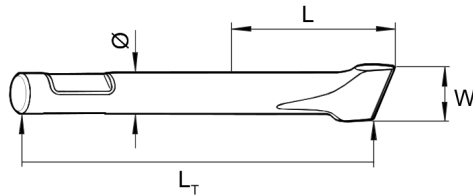
Options / accessories Working tools ProLine HB 2000 DP



Ø=145 mm, L= 600 mm, LT=1230 mm, Wt=139.0 kg
 Ø=5.71 inch, L=24 inch, LT=48.43 inch, Wt=306.4 lb

Ø=145 mm, W=145 mm, L= 600 mm, LT=1230 mm, Wt=144.0 kg
 Ø=5.71 inch, W=5.71 inch, L=24 inch, LT=48.43 inch, Wt=317.5 lb

Ø=145 mm, L= 600 mm, LT=1230 mm, Wt=155.0 kg
 Ø=5.71 inch, L=24 inch, LT=48.43 inch, Wt=341.7 lb



Refer to the DocMine web page for most up-to-date information. The printed information might be outdated.

Fri Mar 18 07:21:43 UTC 2022

Item	Part No.	Name	Qty	L
1	3363118360	Moil point	1	
2	3363118361	Chisel (cross)	1	
3	3363109249	Blunt tool	1	

Any unauthorized use or copying of the contents or any part thereof is prohibited.
This applies in particular to trademarks, model denominations, part numbers, and drawings.