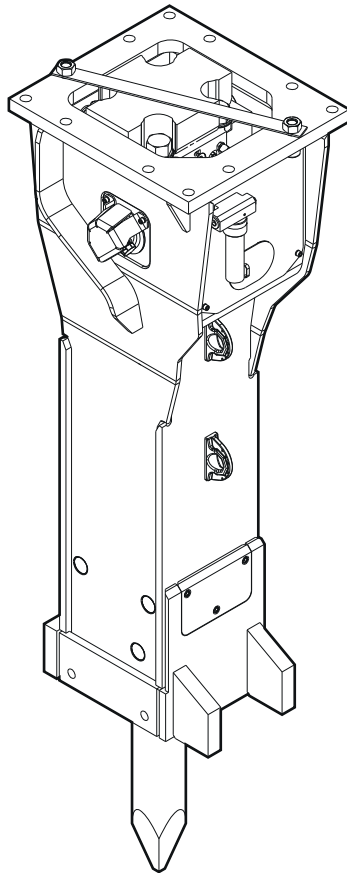


HB 4100, HB 4100 DP

Spare parts list Hydraulic breakers

HB 4100 s/n DEQ220482 -
HB 4100 DP s/n DEQ220482 -



General information

This spare parts list applies to the following:

Part number	Description
3363120884	Hydraulic breaker HB 4100 with lower wear bush (steel)
3363121271	Hydraulic breaker HB 4100 with lower wear bush (bronze)
3363120891	Hydraulic breaker HB 4100 DP with lower wear bush (steel)
3363121272	Hydraulic breaker HB 4100 DP with lower wear bush (bronze)
3363124790	Hydraulic breaker HB 4100 with lower wear bush (steel) with HATCON
3363124791	Hydraulic breaker HB 4100 with lower wear bush (bronze) with HATCON
3363124792	Hydraulic breaker HB 4100 DP with lower wear bush (steel) with HATCON
3363124793	Hydraulic breaker HB 4100 DP with lower wear bush (bronze) with HATCON

Use only authorized parts. Any damage or malfunction caused by the use of unauthorized parts is not covered by Warranty or Product Liability. Any unauthorized use or copying of the contents or any part thereof is prohibited. This applies in particular to trademarks, model denominations, part numbers, and drawings.

Instructions for use

This spare parts list contains no safety regulations and is merely intended to assist in the ordering of spare parts.

For information about operating, servicing, or repairing, the relevant Safety and operating instructions must be consulted at all costs.

Please observe the safety instructions listed in the relevant Safety and operating instructions!

Instructions for ordering

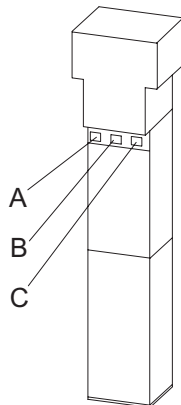
It is essential to indicate the serial number of the hydraulic attachment when ordering spare parts!

Please note the full identification number of your hydraulic attachment.

The code can be found on the cylinder.

Determine the quantity of individual parts which are required and need to be ordered. The order must indicate the following details:

- full identification code of the hydraulic attachment
- required quantity
- part number
- description



- A. Cylinder number
- B. Type
- C. Serial number

Service, repair and wear part kits

Label kit	1
Kit list	3

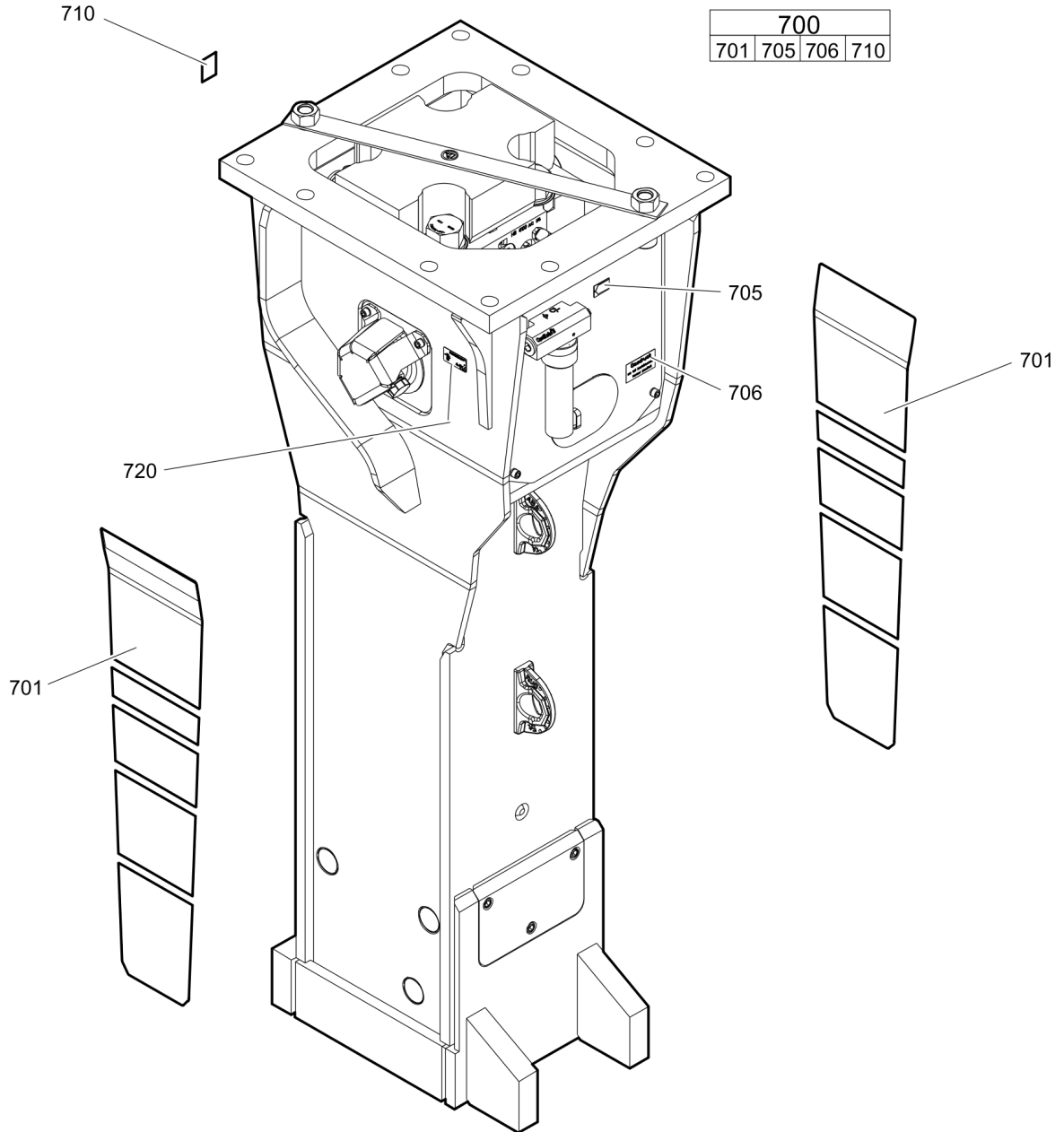
Mechanical

Hydraulic breaker HB 4100	8
Hydraulic breaker HB 4100 DP	11
Percussion unit part 1: cylinder cover	14
Percussion unit part 2: cylinder	18
Percussion unit part 3: lower breaker part (steel)	21
Percussion unit part 3: lower breaker part (bronze)	23
Connecting kit for automatic lubrication system	25
HATCON	27
Optional parts	29
Tightening torques	31
Dimensions HB 4100	34
Dimensions HB 4100 DP	36

Options / accessories

Hydraulic hoses	38
Optional equipment	41
Working tools ClassicLine HB 4100	43
Working tools ProLine HB 4100	45
Working tools ClassicLine HB 4100 DP	47
Working tools ProLine HB 4100 DP	49

Service, repair and wear part kits Label kit



Item	Part No.	Name	Qty	L
700(701-710)	3363121377	Label kit	1	
701		Label "HB 4100 Epiroc"	2	
705		Label - Lubricating symbol	1	
706		Label - Gas pressure	2	
710		Sound power label	1	
720		Name plate - Consult the authorized Customer Center/Dealer in your area.	1	

Service, repair and wear part kits Kit list

NO EXPLODED VIEW
AVAILABLE
FOR THIS BOM

Item	Part No.	Name	Qty	L
KIT	3363121222	Seal kit	1	
103	3360314375	O-ring	1	
108	3360314370	O-ring	1	
115	3360478171	O-ring	1	
120	3361031810	O-ring	1	
121	3363087483	Back-up ring	1	
138	3360314373	O-ring	2	
145(146-147)	3361850422	Seal kit	2	
146		O-ring	2	
147		Back-up ring	2	
151	3363121175	Seal	1	
152	3363121176	Back-up ring	2	
153	3360314453	O-ring	1	
164	3360314364	O-ring	1	
165	3360328046	Back-up ring	1	
182	3360478426	Threaded plug	1	
183	3360175125	O-ring	1	
185	3363123253	Seal	1	
186	3360314790	O-ring	1	
187	3363126739	Back-up ring	1	
203	3363113167	Seal	1	
204	3363098138	Seal	1	
290(291-292)	3363083593	Seal kit	2	
291		Seal	1	
292		Back-up ring	1	
301	3362267583	Stirromatic	2	
305	3363083671	Wiper	1	
306	3362267585	Seal	6	
307	3362267589	Seal	8	
390(391-392)	3363083594	Seal kit	2	
391		Seal	1	
392		Back-up ring	1	
401	3362267586	Seal	1	
KIT	3363091732	Seal kit for swivel joint for automatic lubrication system	1	
KIT	3363116082	Plastic parts kit	1	
2	3361356789	Elastic pad	1	
3	3361356925	Shock absorber	2	

Refer to the DocMine web page for most up-to-date information. The printed information might be outdated.

Fri Mar 18 13:15:12 UTC 2022

Item	Part No.	Name	Qty	L
4	3363115360	Guide plate	2	
5	3363115361	Guide plate	2	
6	3363086237	Plate	1	
KIT	3363113270	Tensioning bolt kit	1	A
191		Tensioning bolt	2	
192	3363093653	Washer	2	
487	3363085321	Threaded insert	2	
KIT	3363113148	DustProtector kit	1	
11	3363070665	Floating ring (tribolid)	1	
12	3363033801	Counter ring	1	
13	3363033733	Guide ring	1	
14	3363112602	Bolt	2	
15	3361854363	Locking bush	2	
KIT	3363116083	Noise protection kit	1	
34	3363111912	Plug	11	
36	3363115515	Cover	2	
40	3363092697	Cover	1	
KIT	3363094377	Lower breaker part kit (bronze)	1	
402	3361331529	Retainer bar	2	
403	3362261540	Bolt	2	
404	3362262921	Plug	4	
482	3363069083	Impact ring	1	
483	3363069137	Wear bush	1	
484	3363088511	Wear bush (bronze)	1	
485	3361854347	Bolt	2	
486	3361854363	Locking bush	2	
488	3362260433	Locking bush	2	
-	3315038100	Bio chisel paste cartridge, 1 x 400 g (0.88 lbs)	1	
-	3361852175	Test gauge lower wear bush	1	
KIT	3363103408	Lower breaker part kit (steel)	1	
402	3361331529	Retainer bar	2	
403	3362261540	Bolt	2	
404	3362262921	Plug	4	
482	3363069083	Impact ring	1	
483	3363069137	Wear bush	1	
484	3363088653	Wear bush (steel)	1	
485	3361854347	Bolt	2	

Refer to the DocMine web page for most up-to-date information. The printed information might be outdated.

Fri Mar 18 13:15:12 UTC 2022

Item	Part No.	Name	Qty	L
486	3361854363	Locking bush	2	
488	3362260433	Locking bush	2	
-	3315038100	Bio chisel paste cartridge, 1 x 400 g (0.88 lbs)	1	
-	3361852175	Test gauge lower wear bush	1	
KIT	3363094378	Lower breaker part kit (bronze) for DustProtector version	1	
18	3363088651	Base for wiper	1	
19	3363034265	Wiper	1	
402	3361331529	Retainer bar	2	
403	3362261540	Bolt	2	
404	3362262921	Plug	4	
482	3363069083	Impact ring	1	
483	3363069137	Wear bush	1	
484	3363088511	Wear bush (bronze)	1	
485	3361854347	Bolt	2	
486	3361854363	Locking bush	2	
488	3362260433	Locking bush	2	
-	3315038100	Bio chisel paste cartridge, 1 x 400 g (0.88 lbs)	1	
-	3361852175	Test gauge lower wear bush	1	
KIT	3363103409	Lower breaker part kit (steel) for DustProtector version	1	
18	3363088651	Base for wiper	1	
19	3363034265	Wiper	1	
402	3361331529	Retainer bar	2	
403	3362261540	Bolt	2	
404	3362262921	Plug	4	
482	3363069083	Impact ring	1	
483	3363069137	Wear bush	1	
484	3363088653	Wear bush (steel)	1	
485	3361854347	Bolt	2	
486	3361854363	Locking bush	2	
488	3362260433	Locking bush	2	
-	3315038100	Bio chisel paste cartridge, 1 x 400 g (0.88 lbs)	1	
-	3361852175	Test gauge lower wear bush	1	
KIT	3363103487	Fastening screw kit	1	
161	3363113101	Fastening screw	4	
162	3363100049	Washer	4	
172	3361031546	Threaded insert	4	
KIT	3363089850	Accumulator repair kit	1	

Refer to the DocMine web page for most up-to-date information. The printed information might be outdated.

Fri Mar 18 13:15:12 UTC 2022

Item	Part No.	Name	Qty	L
-	3361329022	Diaphragm	1	
-	3360332259	Filling screw	1	
-	3360314460	O-ring	1	
-	3361335025	Protective cap	1	
-	3360314364	O-ring	1	
-	3360328046	Back-up ring	1	

Comments for Page: Kit list

A | You need Anti-Seize agent when fitting tensioning bolts. You have to order it separately.

Anti-seize 120 g, part number 3363094300

Or buy it locally according to the following specification:

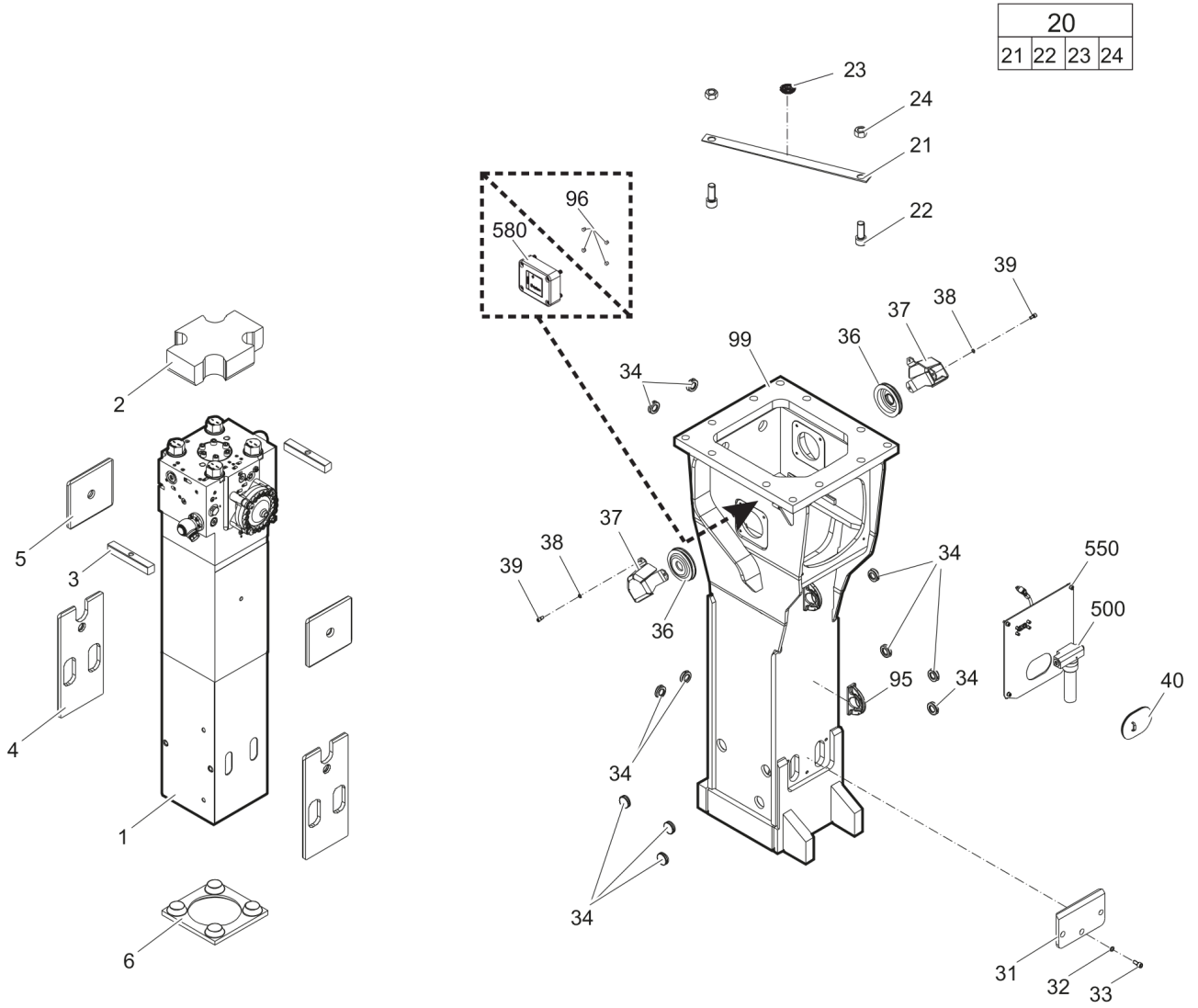
coefficient of friction 0.14

coefficient of friction thread 0.13

coefficient of friction on upside down 0.15

This page intentionally left blank

Mechanical Hydraulic breaker HB 4100



Item	Part No.	Name	Qty	L
1		Percussion unit	1	A
2	3361356789	Elastic pad	1	
3	3361356925	Shock absorber	2	
4	3363115360	Guide plate	2	
5	3363115361	Guide plate	2	
6	3363086237	Plate	1	
20(21-24)	3363094826	Transport safety device complete	1	
21		Transport safety device	1	
22	3360114151	Allen screw	2	
23	3363091872	Label transport safety device	1	
24	3360103255	Nut	2	
31	3363115523	Plate	1	
32	3361333703	Pair of lock washers	3	
33	3362328113	Allen screw	3	
34	3363111912	Plug	11	
36	3363115515	Cover	2	
37	3363115524	Swivel joint cover	2	
38	3361850596	Pair of lock washers	6	
39	3360103750	Allen screw	6	
40	3363092697	Cover	1	
95	3363111995	Lifting eye	2	B
96	3315439145	Protective plug HATCON	4	C
99	3363115432	Breaker box	1	D
500	3363067123	Automatic lubrication system	1	
550		Connecting kit for automatic lubrication system	1	A
580		HATCON	1	E

Comments for Page: Hydraulic breaker HB 4100

(L)OCAL REMARKS

A | see separate chapter

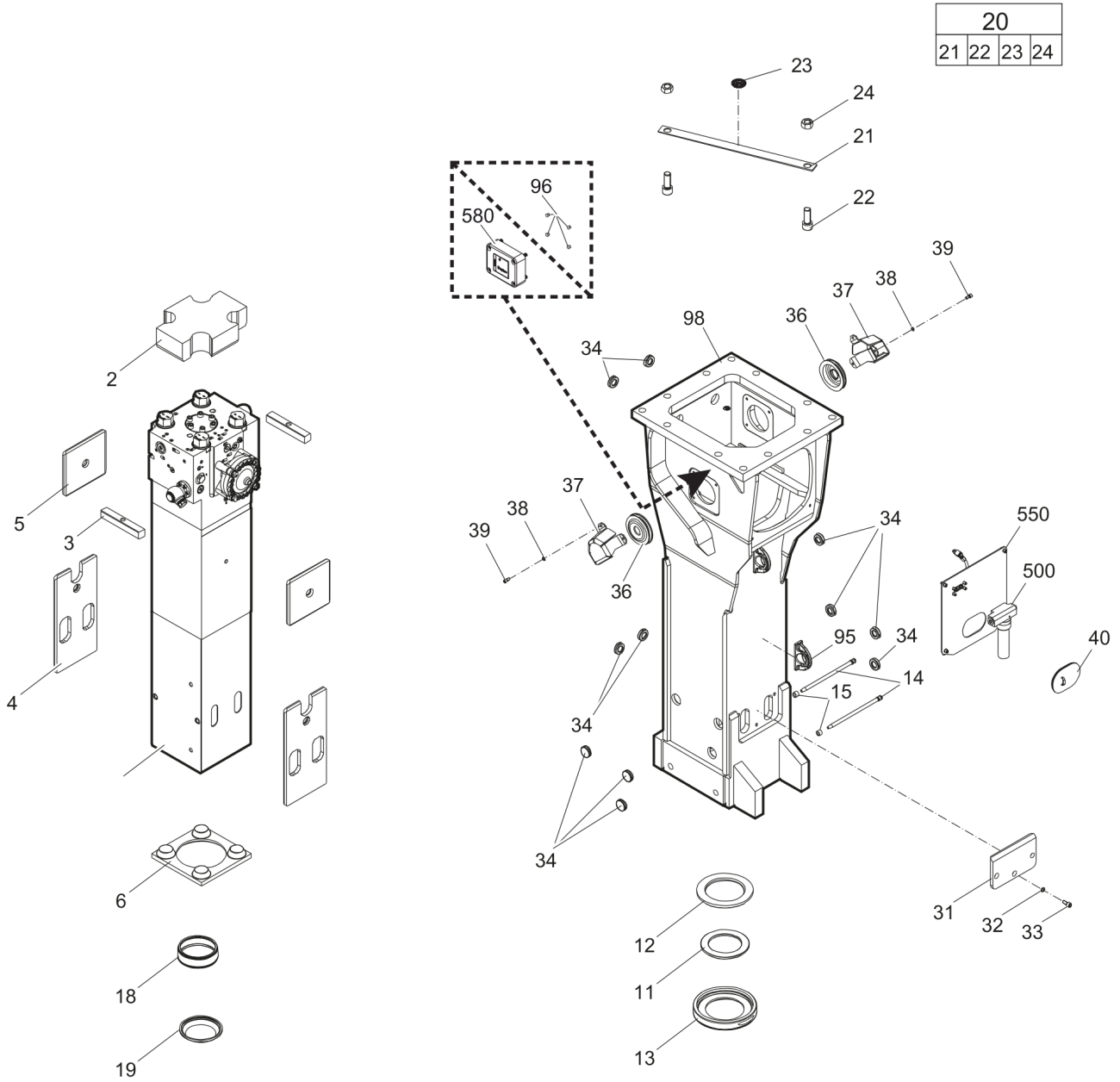
B | professional welding process necessary

C | only for hydraulic breakers without HATCON

D | with item 95 and 96

E | only for hydraulic breakers with HATCON / see separate chapter

Mechanical Hydraulic breaker HB 4100 DP



Refer to the DocMine web page for most up-to-date information. The printed information might be outdated.

Fri Mar 18 13:15:15 UTC 2022

Item	Part No.	Name	Qty	L
1		Percussion unit	1	A
2	3361356789	Elastic pad	1	
3	3361356925	Shock absorber	2	
4	3363115360	Guide plate	2	
5	3363115361	Guide plate	2	
6	3363086237	Plate	1	
11	3363070665	Floating ring (tribolid)	1	B
12	3363033801	Counter ring	1	
13	3363033733	Guide ring	1	
14	3363112602	Bolt	2	
15	3361854363	Locking bush	2	
18	3363088651	Base for wiper	1	
19	3363034265	Wiper	1	
20(21-24)	3363094826	Transport safety device complete	1	
21		Transport safety device	1	
22	3360114151	Allen screw	2	
23	3363091872	Label transport safety device	1	
24	3360103255	Nut	2	
31	3363115523	Plate	1	
32	3361333703	Pair of lock washers	3	
33	3362328113	Allen screw	3	
34	3363111912	Plug	11	
36	3363115515	Cover	2	
37	3363115524	Swivel joint cover	2	
38	3361850596	Pair of lock washers	6	
39	3360103750	Allen screw	6	
40	3363092697	Cover	1	
95	3363111995	Lifting eye	2	C
96	3315439145	Protective plug HATCON	4	D
98	3363115364	Breaker box	1	E
500	3363067123	Automatic lubrication system	1	
550		Connecting kit for automatic lubrication system	1	A
580		HATCON	1	F

Comments for Page: Hydraulic breaker HB 4100 DP

(L)OCAL REMARKS

Refer to the DocMine web page for most up-to-date information. The printed information might be outdated.

Fri Mar 18 13:15:16 UTC 2022

A | see separate chapter

B | steel see chapter Optional parts

C | professional welding process necessary

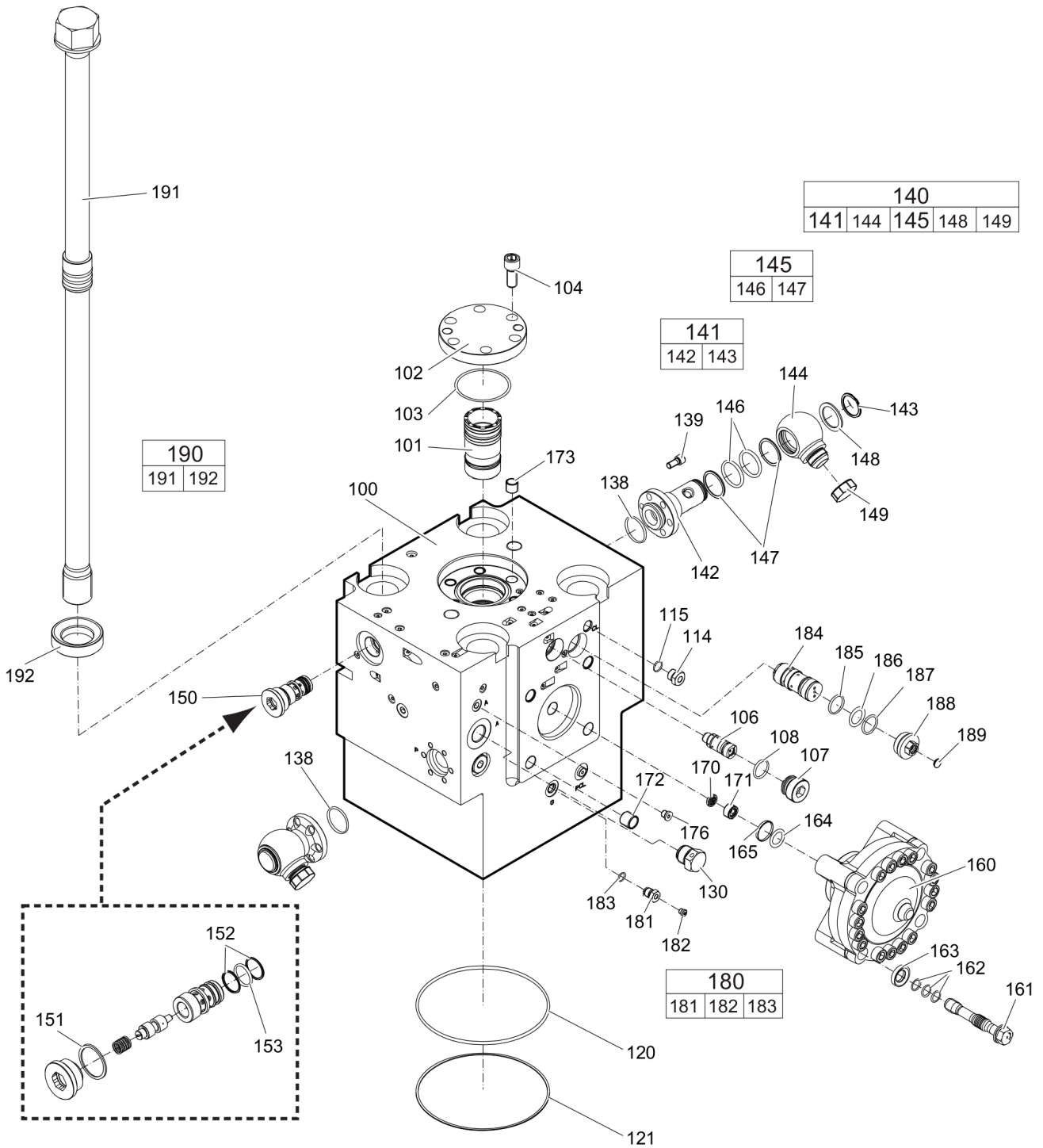
D | only for hydraulic breakers without HATCON

E | with item 95 and 96

F | only for hydraulic breakers with HATCON / see separate chapter

This page intentionally left blank

Mechanical Percussion unit part 1: cylinder cover



Refer to the DocMine web page for most up-to-date information. The printed information might be outdated.

Fri Mar 18 13:15:17 UTC 2022

Item	Part No.	Name	Qty	L
100	3363120563	Cylinder cover	1	A
101	3363088569	Main control valve	1	
102	3361331555	Cover	1	
103	3360314375	O-ring	1	
104	3360103776	Allen screw	6	
106	3363035453	Valve	1	B
107	3363035425	Threaded plug	1	
108	3360314370	O-ring	1	
114	3361854657	Connecting screw	1	
115	3360478171	O-ring	1	
120	3361031810	O-ring	1	
121	3363087483	Back-up ring	1	
130	3361854511	Non-return valve	1	
138	3360314373	O-ring	2	
139	3360103750	Allen screw	12	
140(141-149)	3363116891	Swivel joint complete	2	
141(142-143)	3363116890	Adapter complete	1	
142		Adapter	1	
143	3363116062	Snapping	1	
144	3361356643	Adapter	1	
145(146-147)	3361850422	Seal kit	1	
146		O-ring	2	
147		Back-up ring	2	
148	3361356645	Disk	1	
149	3361353489	Cap	1	
150	3363120683	Valve	1	C
151	3363121175	Seal	1	
152	3363121176	Back-up ring	2	
153	3360314453	O-ring	1	
160	3363094981	HP-accumulator	1	
161	3363113101	Fastening screw	4	D
162	3363114730	Service kit O-rings	1	E
163	3363100049	Washer	4	
164	3360314364	O-ring	1	
165	3360328046	Back-up ring	1	
170	3361844113	Strainer disk	1	
171	3361844115	Threaded plug	1	

Refer to the DocMine web page for most up-to-date information. The printed information might be outdated.

Fri Mar 18 13:15:17 UTC 2022

Item	Part No.	Name	Qty	L
172	3361031546	Threaded insert	4	
173	3361031529	Threaded insert	6	
176	3360478439	Threaded plug	1	
180(181-183)	3363087286	Filling valve complete	1	
181		Filling valve	1	
182	3360478426	Threaded plug	1	
183	3360175125	O-ring	1	
184	3363126207	Safety valve	1	F
185	3363123253	Seal	1	
186	3360314790	O-ring	1	
187	3363126739	Back-up ring	1	
188	3363126740	Threaded plug	1	G
189	3363087087	Cap	1	
190(191-192)	3363113035	Tensioning bolt complete	4	
191		Tensioning bolt	1	
192	3363093653	Washer	1	

Comments for Page: Percussion unit part 1: cylinder cover

(L)OCAL REMARKS

A | with items 170 - 176

B | AutoControl

C | IPS - Intelligent Protection System, with item 151 - 153

D | each fastening screw with 3 o-rings item 162

E | 12 o-rings for all 4 fastening screws item 161

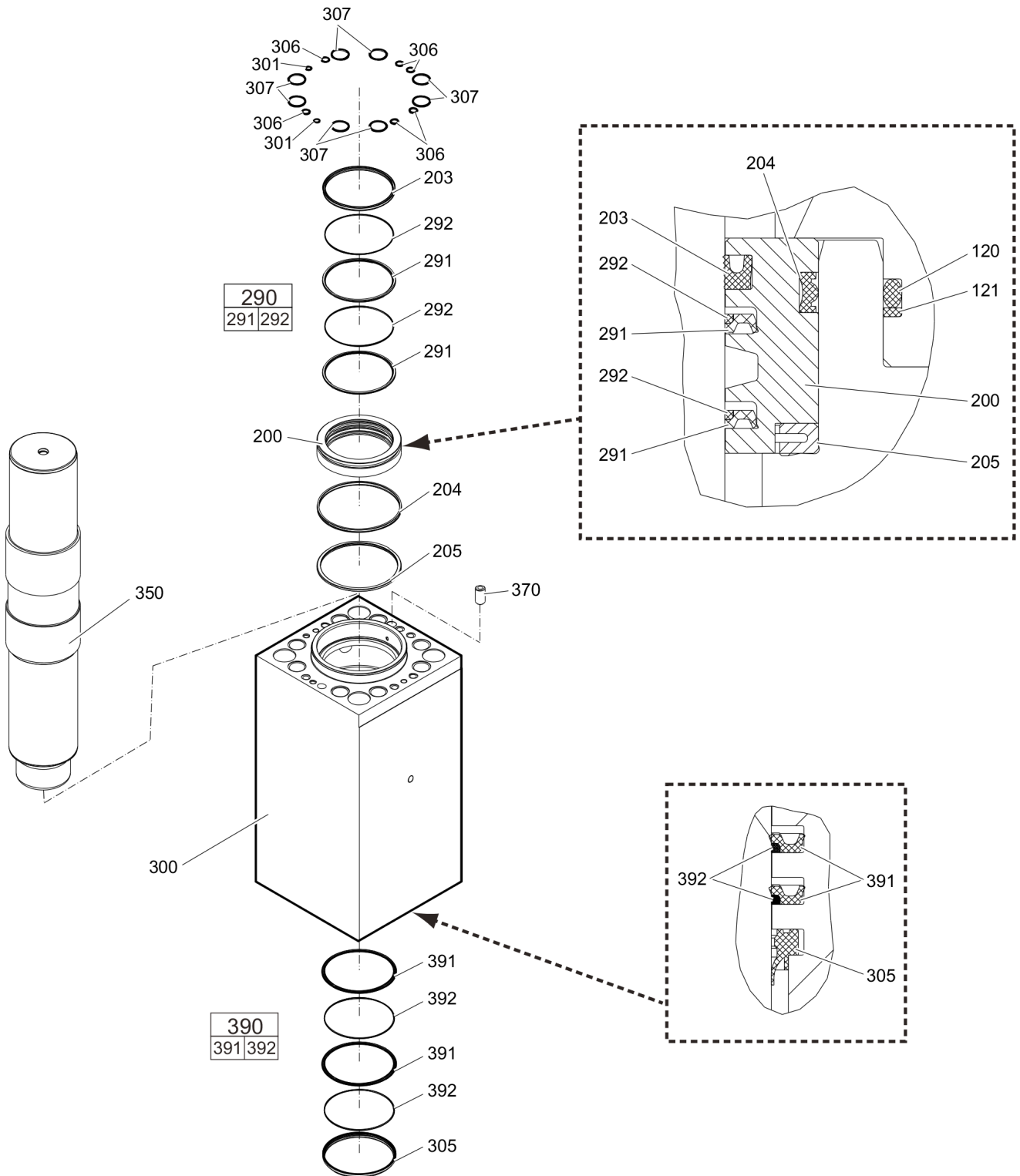
F | PowerAdapt, with item 185

Only in exchange for the part to be replaced. Consult the authorized Customer Center/Dealer in your area.

G | with item 186, 187, 189

This page intentionally left blank

Mechanical Percussion unit part 2: cylinder

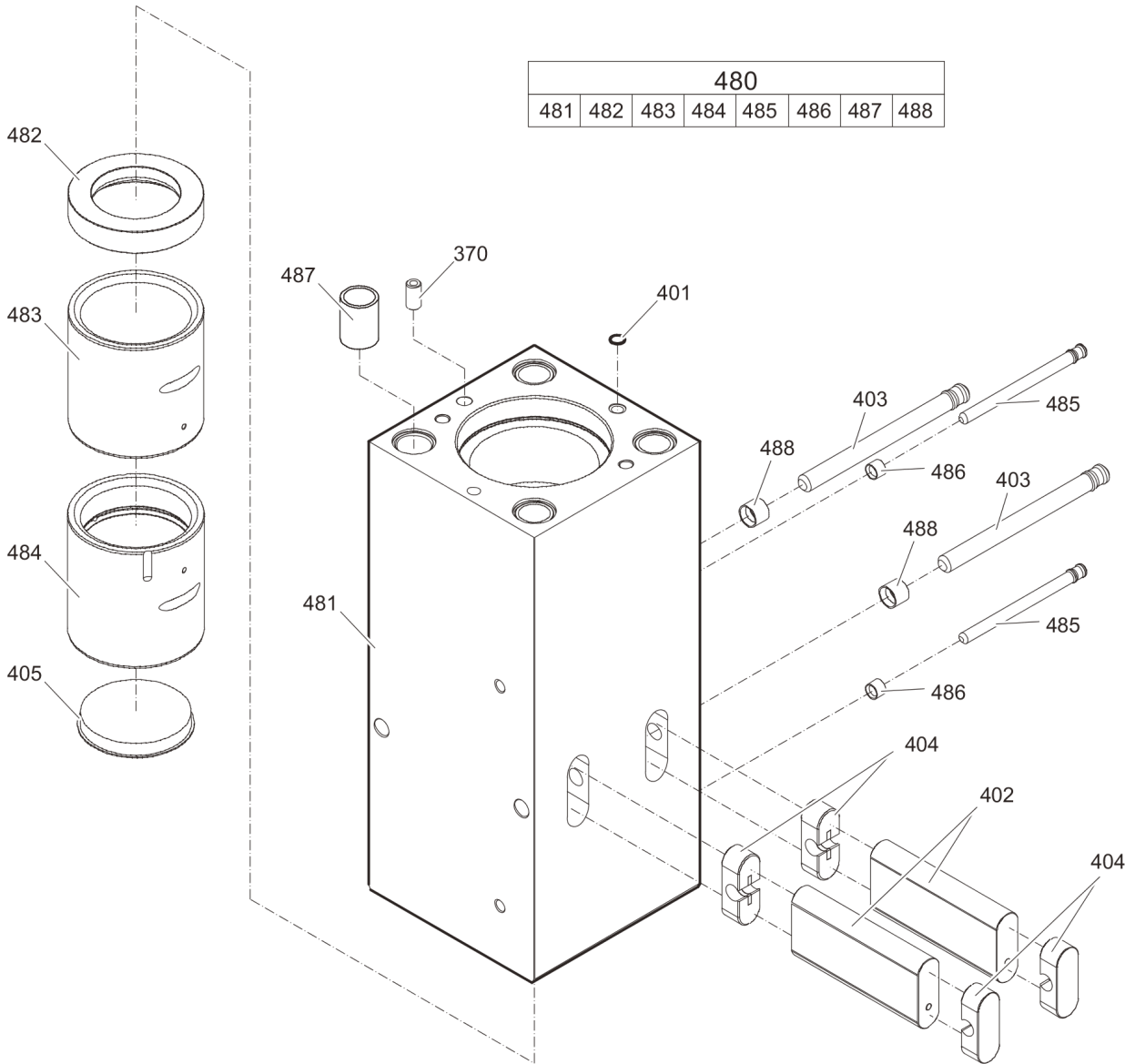


Refer to the DocMine web page for most up-to-date information. The printed information might be outdated.

Fri Mar 18 13:15:18 UTC 2022

Item	Part No.	Name	Qty	L
200	3363085598	Seal bush	1	
203	3363113167	Seal	1	
204	3363098138	Seal	1	
205	3363097795	Ring	1	
290(291-292)	3363083593	Seal kit	2	
291		Seal	1	
292		Back-up ring	1	
300	3363120612	Cylinder	1	
301	3362267583	Stirromatic	2	
305	3363083671	Wiper	1	
306	3362267585	Seal	6	
307	3362267589	Seal	8	
350	3361356613	Percussion piston	1	
370	3360921413	Lock pin	1	
390(391-392)	3363083594	Seal kit	2	
391		Seal	1	
392		Back-up ring	1	

Mechanical Percussion unit part 3: lower breaker part (steel)



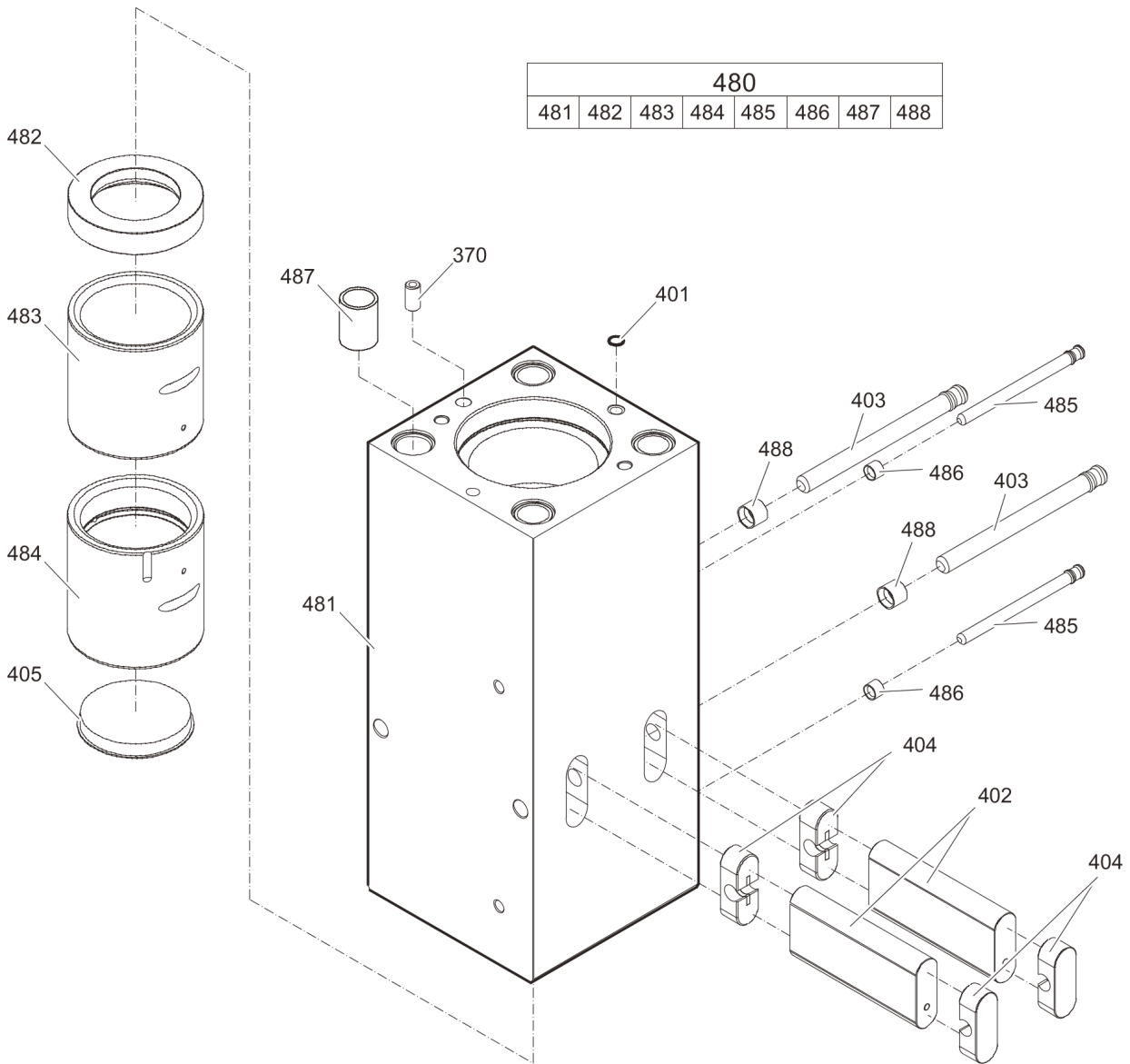
Item	Part No.	Name	Qty	L
370	3360921413	Lock pin	1	
401	3362267586	Seal	1	
402	3361331529	Retainer bar	2	
403	3362261540	Bolt	2	
404	3362262921	Plug	4	
405	3361329794	Protective cap	1	
480(481-488)	3363089480	Lower breaker part complete with lower wear bush steel	1	A
481		Lower breaker part	1	
482	3363069083	Impact ring	1	
483	3363069137	Wear bush	1	
484	3363088653	Wear bush (steel)	1	
485	3361854347	Bolt	2	
486	3361854363	Locking bush	2	
487	3363085321	Threaded insert	4	
488	3362260433	Locking bush	2	

Comments for Page: Percussion unit part 3: lower breaker part (steel)

(L)OCAL REMARKS

A | Note: When ordering a lower breaker part for DustProtector version it is imperative to order additionally the base for wiper (item 18) and the wiper (item 19).

Mechanical Percussion unit part 3: lower breaker part (bronze)



480							
481	482	483	484	485	486	487	488

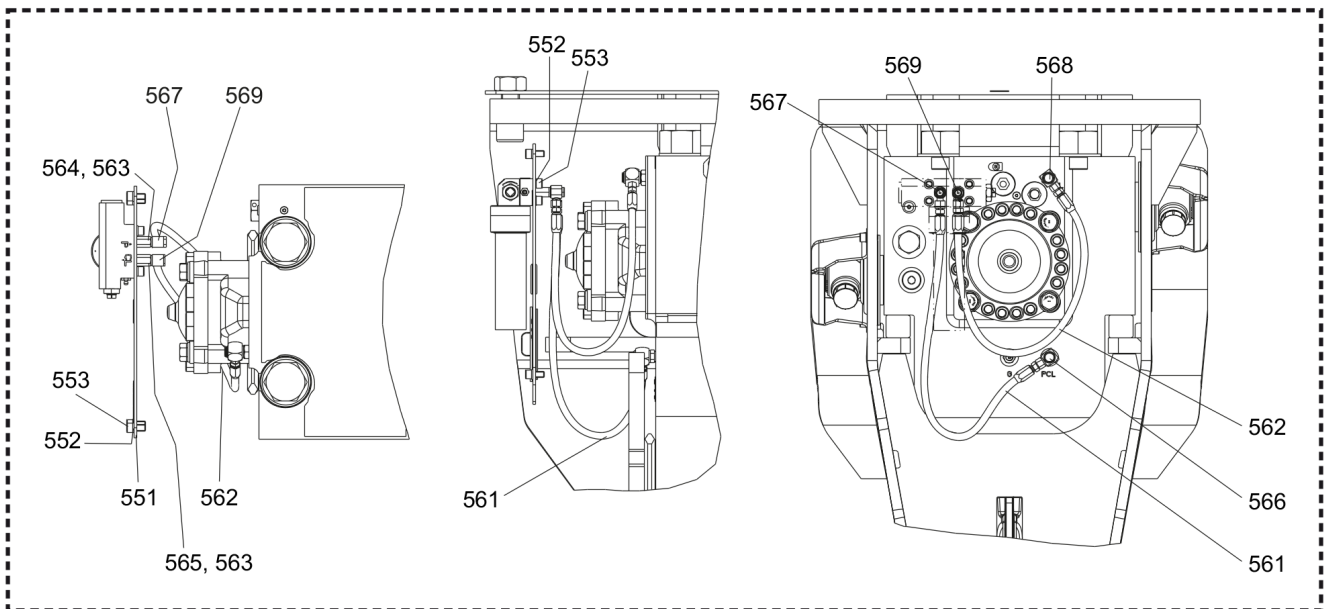
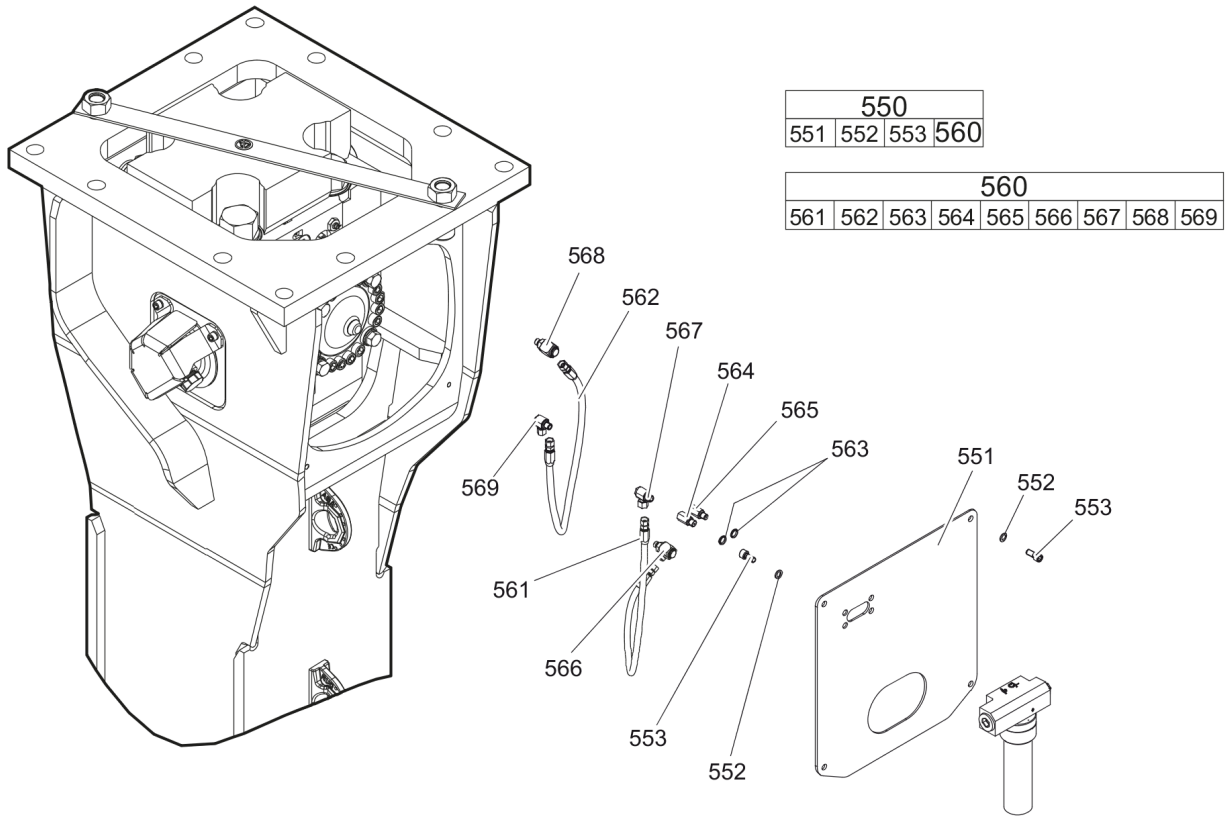
Item	Part No.	Name	Qty	L
370	3360921413	Lock pin	1	
401	3362267586	Seal	1	
402	3361331529	Retainer bar	2	
403	3362261540	Bolt	2	
404	3362262921	Plug	4	
405	3361329794	Protective cap	1	
480(481-488)	3363116920	Lower breaker part complete with lower wear bush bronze	1	A
481		Lower breaker part	1	
482	3363069083	Impact ring	1	
483	3363069137	Wear bush	1	
484	3363088511	Wear bush (bronze)	1	
485	3361854347	Bolt	2	
486	3361854363	Locking bush	2	
487	3363085321	Threaded insert	4	
488	3362260433	Locking bush	2	

Comments for Page: Percussion unit part 3: lower breaker part (bronze)

(L)OCAL REMARKS

A | Note: When ordering a lower breaker part for DustProtector version it is imperative to order additionally the base for wiper (item 18) and the wiper (item 19).

Mechanical Connecting kit for automatic lubrication system



Refer to the DocMine web page for most up-to-date information. The printed information might be outdated.

Fri Mar 18 13:15:20 UTC 2022

Item	Part No.	Name	Qty	L
550(551-560)		Connecting kit for automatic lubrication system	1	
551	3363112828	Support	1	
552	3361850596	Pair of lock washers	8	
553	3360103750	Allen screw	8	A
560(561-569)	3363118212	Connecting kit for automatic lubrication system	1	B
561	3363083877	Hydraulic hose	1	C
562	3363083873	Hydraulic hose	1	D
563	3363066951	Seal	2	
564	3363068745	Adapter	1	E
565	3363066887	Adapter	1	E
566	3363087185	Fitting	1	E
567	3363066234	Fitting	1	E
568	3363087186	Fitting	1	E
569	3363066233	Fitting	1	E

Comments for Page: Connecting kit for automatic lubrication system

(L)OCAL REMARKS

A | secure all 4 allen screws with Loctite 243 screwed in the automatic lubrication system

B | without fastening elements

C | Oil line

secure with Loctite 243

Route the hydraulic hoses as shown on the drawing. It must be ensured that the hydraulic hoses can move freely and are not in contact at any point.

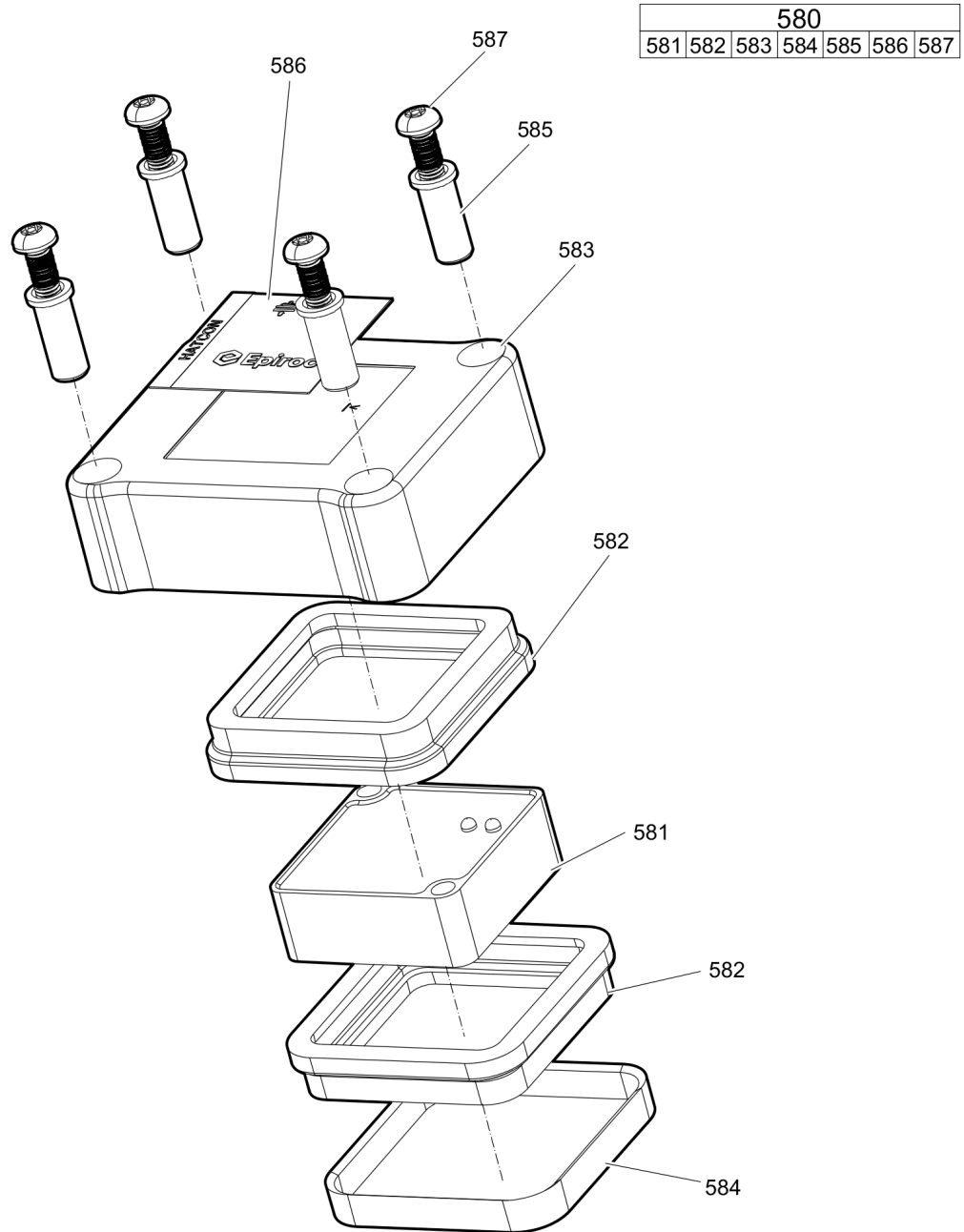
D | Grease line

secure with Loctite 243

Route the hydraulic hoses as shown on the drawing. It must be ensured that the hydraulic hoses can move freely and are not in contact at any point.

E | secure with Loctite 243

Mechanical HATCON

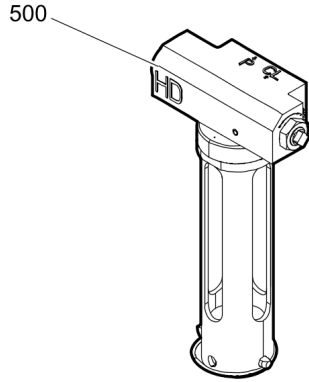
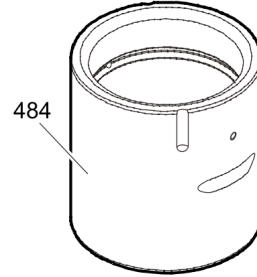
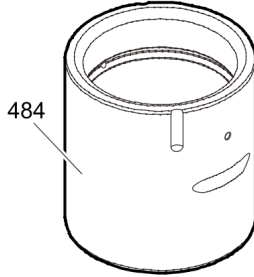
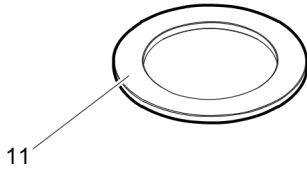


Item	Part No.	Name	Qty	L
580(581-587)		HATCON	1	A
581		Tracking module HATCON	1	
582	3315439130	Damper HATCON	2	
583	3315439110	Housing type 1 HATCON	1	
584	3315439140	Lock ring HATCON	1	
585	3315439120	Sleeve HATCON	4	
586	3315439100	Product label HATCON	1	
587	3315442600	Screw HATCON	4	

Comments for Page: HATCON

A | part number see chapter "Optional equipment"

Mechanical Optional parts



Item	Part No.	Name	Qty	L
11	3363033803	Floating ring (steel)	1	
484	3363088511	Wear bush (bronze)	1	
484	3363088653	Wear bush (steel)	1	
500	3363117931	Automatic lubrication system HD	1	

Mechanical Tightening torques

NO EXPLODED VIEW
AVAILABLE
FOR THIS BOM

Item	Part No.	Name	Qty	L
22	-	Allen screw - 240 Nm (177 ft lbf)	-	A
24	-	Nut - 240 Nm (177 ft lbf)	-	B
33	-	Allen screw - 200 Nm (148 ft lbf)	-	C
39	-	Allen screw - 85 Nm (63 ft lbf)	-	D
104	-	Allen screw - 380 Nm (280 ft lbf)	-	E
107	-	Threaded plug - 300 Nm (221 ft lbf)	-	F
110	-	Threaded plug - 300 Nm (221 ft lbf)	-	G
114	-	Connection screw - 200 Nm (148 ft lbf)	-	H
130	-	Non-return valve - 200 Nm (148 ft lbf)	-	I
139	-	Allen screw - 80 Nm (59 ft lbf)	-	D
150	-	Valve - 250 Nm (184 ft lbf)	-	G
161	-	Fastening screw -	-	J
181	-	Filling valve - 130 Nm (96 ft lbf)	-	K
182	-	Threaded plug - 20 Nm (15 ft lbf)	-	L
191	-	Tensioning bolt -	-	M
553	-	Allen screw - 85 Nm (63 ft lbf)	-	D
561	-	Hydraulic hose - 42 Nm (31 ft lbf)	-	N
562	-	Hydraulic hose - 16 Nm (12 ft lbf)	-	O
564	-	Adapter - 55 Nm (41 ft lbf)	-	N
565	-	Adapter - 45 Nm (33 ft lbf)	-	N
566	-	Fitting - 60 Nm 44 ft lbf)	-	P
567	-	Fitting - 55 Nm (41 ft lbf)	-	Q
568	-	Fitting - 50 Nm (37 ft lbf)	-	R
569	-	Fitting - 45 Nm (41 ft lbf)	-	S
587	-	Screw HATCON - 22 Nm (16 ft lbf)	-	T

Comments for Page: Tightening torques

(L)OCAL REMARKS

A | Allen key size 27

B | Socket spanner size 55

C | Allen key size 14

D | Allen key size 10

E | Allen key size 17

F | Allen key size 22

G | Allen key size 24

H | Socket spanner size 27

I | Socket spanner size 41

Refer to the DocMine web page for most up-to-date information. The printed information might be outdated.

Fri Mar 18 13:15:25 UTC 2022

J | Socket spanner size 30

1. Treat the threads and threaded inserts for the fastening screws with an Anti-Seize agent.
2. Treat the surfaces between the fastening screw head, washer, and HP-accumulator cover with Anti-Seize.
3. Place on the HP-accumulator, and tighten the fastening screws by hand in a crosswise fashion.
4. Pretighten the fastening screws to 80 Nm (59 ft lbf), proceeding in a crosswise fashion,
5. then tighten each fastening screw through 30° in a crosswise fashion,
6. finally tighten each fastening screw again through 60° in a crosswise fashion.

K | Socket spanner size 22

L | Allen key size 5

M | Torque wrench or Power wrench size 75

1. Pretighten the tensioning bolts to 500 Nm (369 ft lbf), proceeding in a crosswise fashion,
2. then tighten each tensioning bolt through 120° (2 sides of hexagonal head) in a crosswise fashion,
3. finally tighten each tensioning bolt again through 180° (3 sides of hexagonal head) in a crosswise fashion.

N | Open-ended wrench size 19

O | Open-ended wrench size 17

P | Open-ended wrench size 19, 22, 27

Q | Open-ended wrench size 19, 19, 22

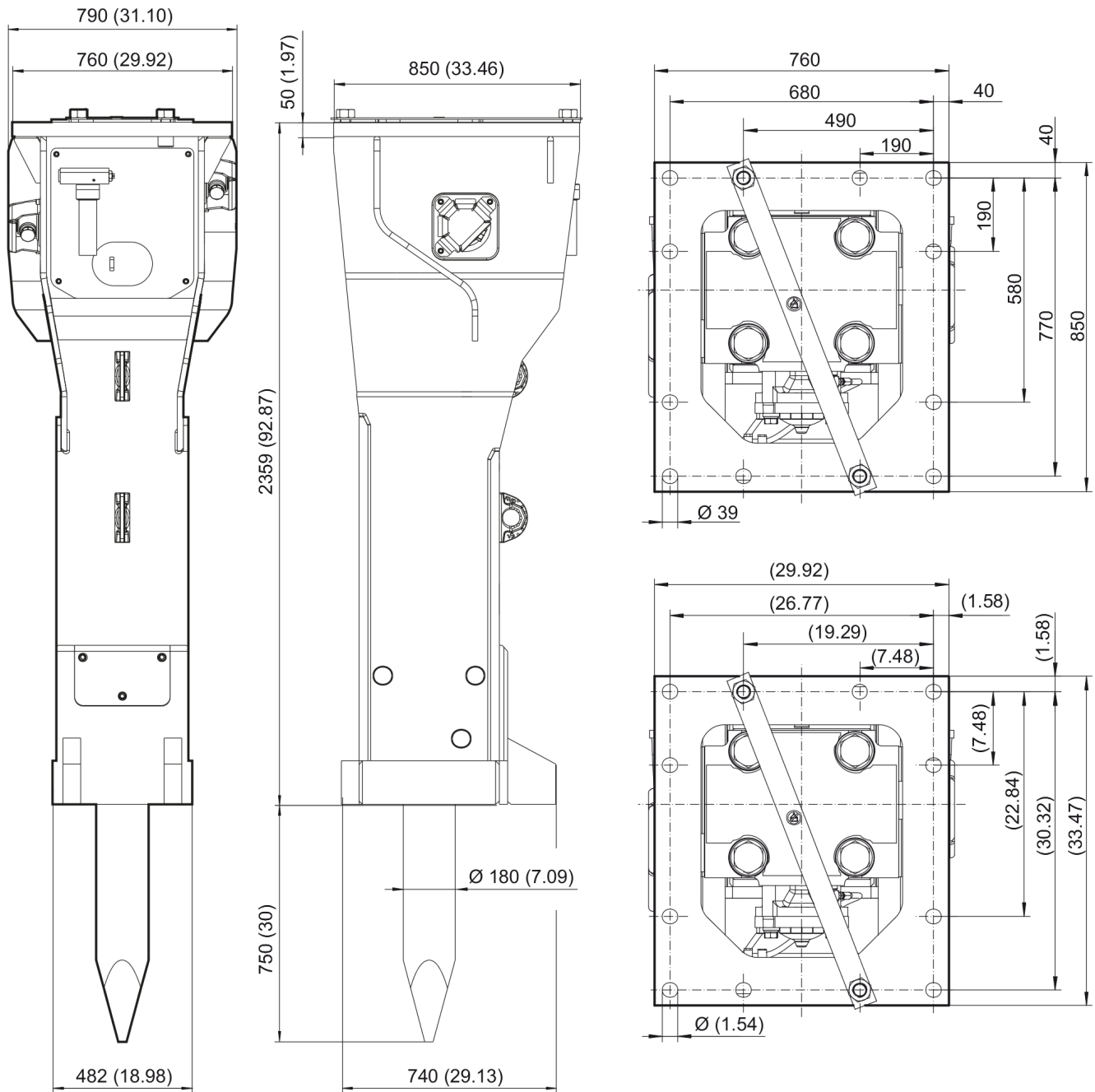
R | Open-ended wrench size 17, 22, 27

S | Open-ended wrench size 17, 19, 22

T | Security bit HATCON

This page intentionally left blank

Mechanical Dimensions HB 4100

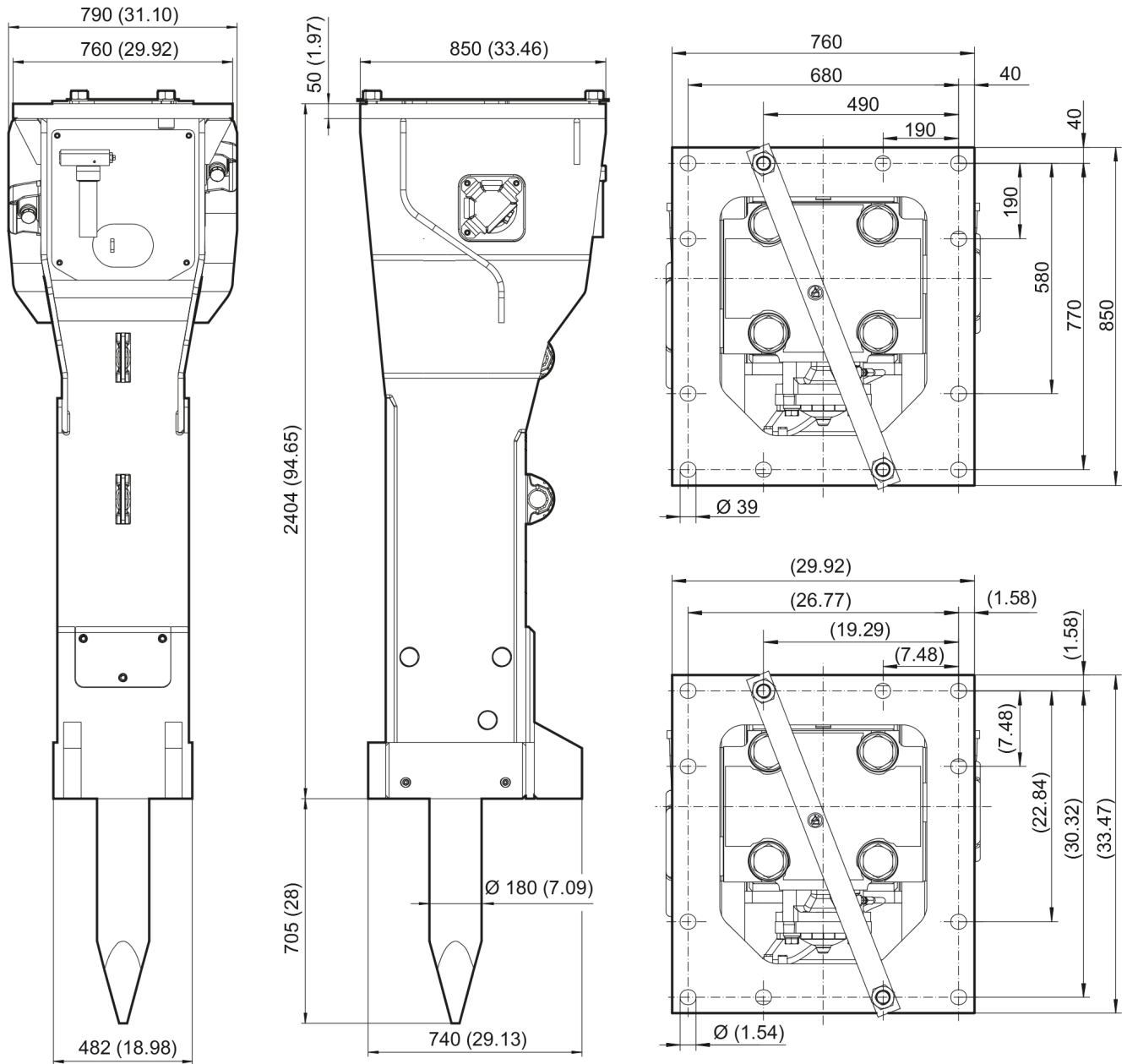


Refer to the DocMine web page for most up-to-date information. The printed information might be outdated.

Fri Mar 18 13:15:25 UTC 2022

This page intentionally left blank

Mechanical Dimensions HB 4100 DP



Refer to the DocMine web page for most up-to-date information. The printed information might be outdated.

Fri Mar 18 13:15:26 UTC 2022

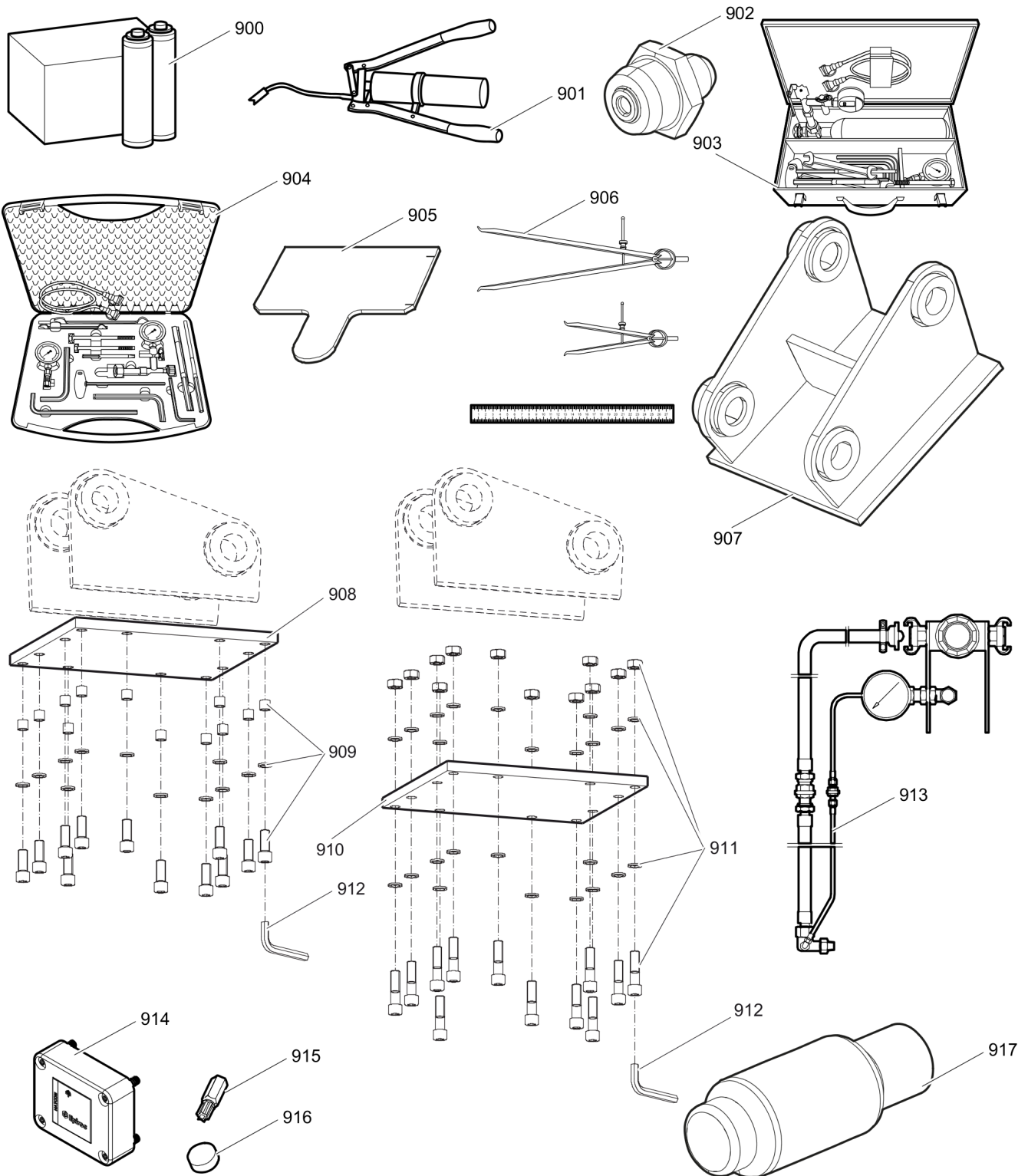
This page intentionally left blank

Options / accessories Hydraulic hoses

NO EXPLODED VIEW
AVAILABLE
FOR THIS BOM

Item	Part No.	Name	Qty	L
-	3361853860	Hydraulic hose, I.D. 32 (1 1/4"), both ends JIC 1 5/8", length 2800 mm (110 in.)	2	
-	3361853861	Hydraulic hose, I.D. 32 (1 1/4"), both ends JIC 1 5/8", length 3500 mm (138 in.)	2	

Options / accessories Optional equipment



Refer to the DocMine web page for most up-to-date information. The printed information might be outdated.

Fri Mar 18 13:15:26 UTC 2022

Item	Part No.	Name	Qty	L
900	3363122356	Bio chisel paste cartridge, 12 x 550 g (1.2 lbs)	1	
900	3363091200	Chisel paste cartridge, 12 x 500 g (1.1 lbs)	1	
901	3363034567	GREASE PUMP	1	
902	3360433774	Grease nipple	1	
903	3363089845	Maintenance and charging box with nitrogen cylinder, 5 l, 1.1 gal (1.32 US gal)	1	
904	3363094940	Maintenance and charging box without nitrogen cylinder	1	
905	3361852175	Test gauge lower wear bush	1	
906	3363094952	Inside callipers upper wear bush	1	
907		Adapter plate matching the carrier. Consult the authorized Customer Center/Dealer in your area.	1	
908	3363104727	Base plate with threaded inserts	1	
909	3363087304	Bolt kit	1	
910	3363104725	Base plate with through borings	1	
911	3363094576	Bolt kit	1	
912	3360478949	Allen key (27 mm)	1	
913	3363090531	Adapter kit for underwater applications	1	
914	3315442500	Retrofit kit HATCON	1	A
915	3315439105	Security bit HATCON	1	
916	3315439106	Magnet HATCON	1	
917	3363092987	Piston retainer	1	B

Comments for Page: Optional equipment

A | with item 915 and 916

Hydraulic breakers are factory equipped with threads for attaching Retrofit kit HATCON

from s/n DEQ200070 - (HB 4100 with lower wear bush steel)

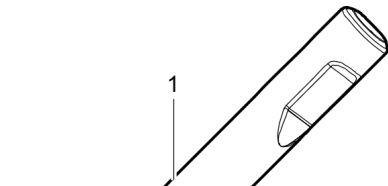
from s/n DEQ200376 - (HB 4100 with lower wear bush bronze)

from s/n DEQ200070 - (HB 4100 DP with lower wear bush steel)

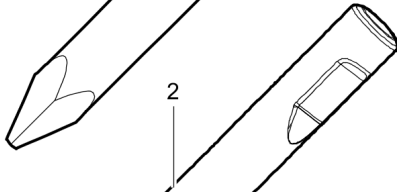
from s/n DEQ192265 - (HB 4100 DP with lower wear bush bronze)

B | Consult the authorized Customer Center/Dealer in your area.

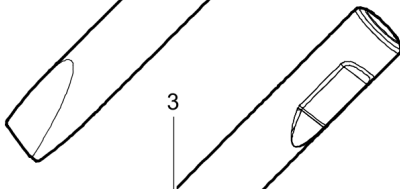
Options / accessories Working tools ClassicLine HB 4100



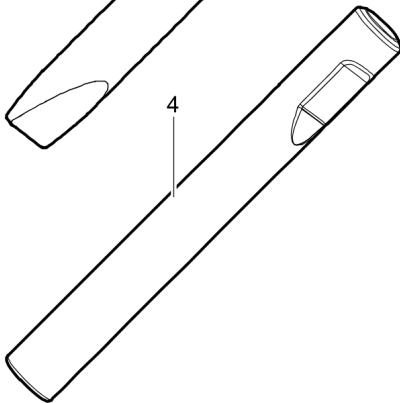
Ø=180 mm, L= 750 mm, LT=1530 mm, Wt=266.0 kg
 Ø=7.09 inch, L=30 inch, LT=60.24 inch, Wt=586.4 lb



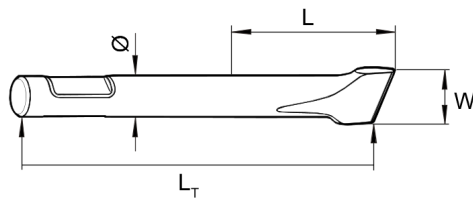
Ø=180 mm, W=180 mm, L= 750 mm, LT=1530 mm, Wt=276.0 kg
 Ø=7.09 inch, W=7.09 inch, L=30 inch, LT=60.24 inch, Wt=608.50 lb



Ø=180 mm, W=180 mm, L= 750 mm, LT=1530 mm, Wt=276.0 kg
 Ø=7.09 inch, W=7.09 inch, L=30 inch, LT=60.24 inch, Wt=608.50 lb

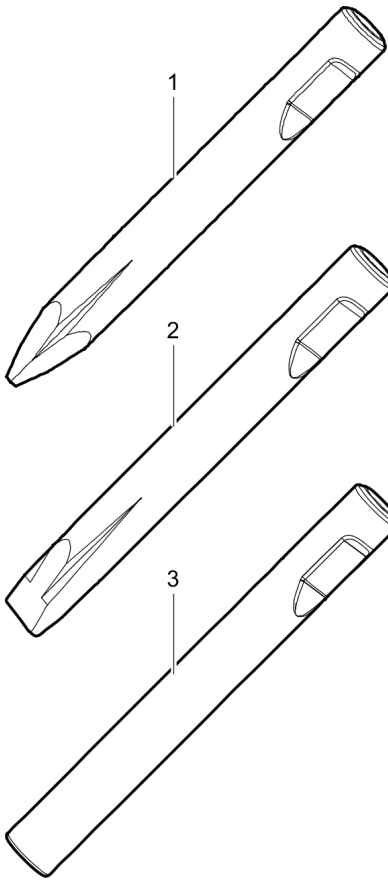


Ø=180 mm, L= 750 mm, LT=1530 mm, Wt=295.0 kg
 Ø=7.09 inch, L=30 inch, LT=60.24 inch, Wt=650.4 lb



Item	Part No.	Name	Qty	L
1	3363119533	Moil point	1	
2	3363119534	Chisel (cross)	1	
3	3363119535	Chisel (parallel)	1	
4	3363119536	Blunt tool	1	

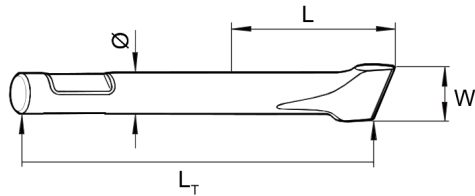
Options / accessories Working tools ProLine HB 4100



Ø=180 mm, L= 820 mm, LT=1600 mm, Wt=277.0 kg
 Ø=7.09 inch, L=32 inch, LT=62.99 inch, Wt=610.7 lb

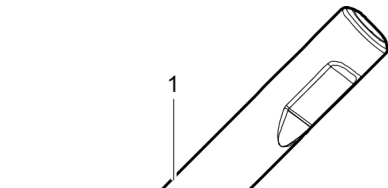
Ø=180 mm, W=180 mm, L= 820 mm, LT=1600 mm, Wt=287.0 kg
 Ø=7.09 inch, W=7.09 inch, L=32 inch, LT=62.99 inch, Wt=632.7 lb

Ø=180 mm, L= 820 mm, LT=1600 mm, Wt=309.0 kg
 Ø=7.09 inch, L=32 inch, LT=62.99 inch, Wt=681.2 lb

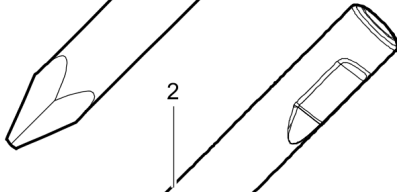


Item	Part No.	Name	Qty	L
1	3363118353	Moil point	1	
2	3363118355	Chisel (cross)	1	
3	3363094455	Blunt tool	1	

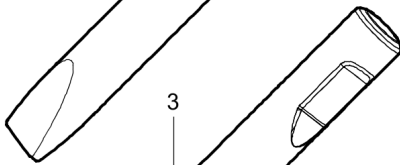
Options / accessories Working tools ClassicLine HB 4100 DP



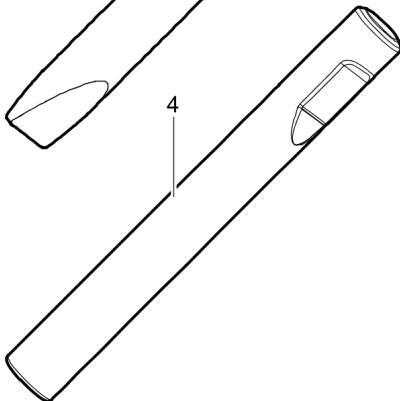
$\varnothing=180$ mm, L= 705 mm, LT=1530 mm, Wt=266.0 kg
 $\varnothing=7.09$ inch, L=28 inch, LT=60.24 inch, Wt=586.4 lb



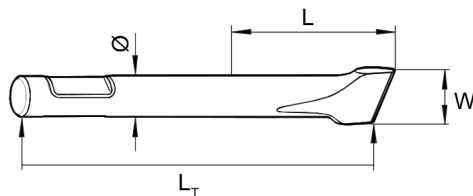
$\varnothing=180$ mm, W=180 mm, L= 705 mm, LT=1530 mm, Wt=276.0 kg
 $\varnothing=7.09$ inch, W=7.09 inch, L=28 inch, LT=60.24 inch, Wt=608.50 lb



$\varnothing=180$ mm, W=180 mm, L= 705 mm, LT=1530 mm, Wt=276.0 kg
 $\varnothing=7.09$ inch, W=7.09 inch, L=28 inch, LT=60.24 inch, Wt=608.50 lb

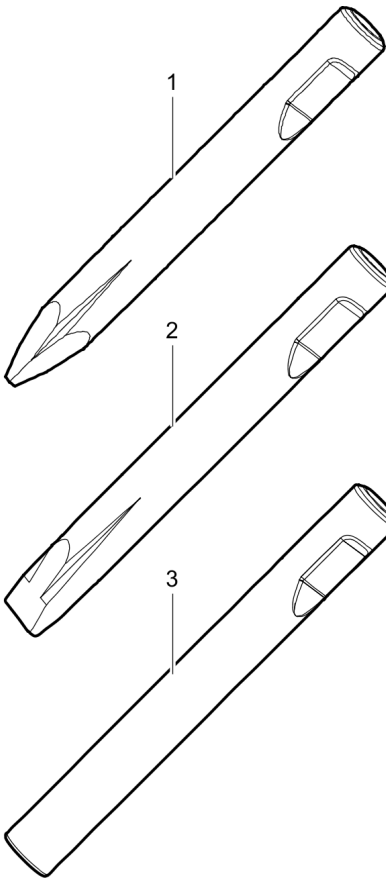


$\varnothing=180$ mm, L= 705 mm, LT=1530 mm, Wt=295.0 kg
 $\varnothing=7.09$ inch, L=28 inch, LT=60.24 inch, Wt=650.4 lb



Item	Part No.	Name	Qty	L
1	3363119533	Moil point	1	
2	3363119534	Chisel (cross)	1	
3	3363119535	Chisel (parallel)	1	
4	3363119536	Blunt tool	1	

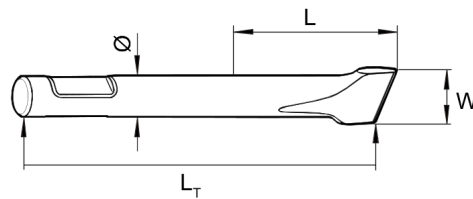
Options / accessories Working tools ProLine HB 4100 DP



Ø=180 mm, L= 775 mm, LT=1600 mm, Wt=277.0 kg
 Ø=7.09 inch, L=31 inch, LT=62.99 inch, Wt=610.7 lb

Ø=180 mm, W=180 mm, L= 775 mm, LT=1600 mm, Wt=287.0 kg
 Ø=7.09 inch, W=7.09 inch, L=31 inch, LT=62.99 inch, Wt=632.7 lb

Ø=180 mm, L= 775 mm, LT=1600 mm, Wt=309.0 kg
 Ø=7.09 inch, L=31 inch, LT=62.99 inch, Wt=681.2 lb



Refer to the DocMine web page for most up-to-date information. The printed information might be outdated.

Fri Mar 18 13:15:29 UTC 2022

Item	Part No.	Name	Qty	L
1	3363118353	Moil point	1	
2	3363118355	Chisel (cross)	1	
3	3363094455	Blunt tool	1	

Any unauthorized use or copying of the contents or any part thereof is prohibited.
This applies in particular to trademarks, model denominations, part numbers, and drawings.