

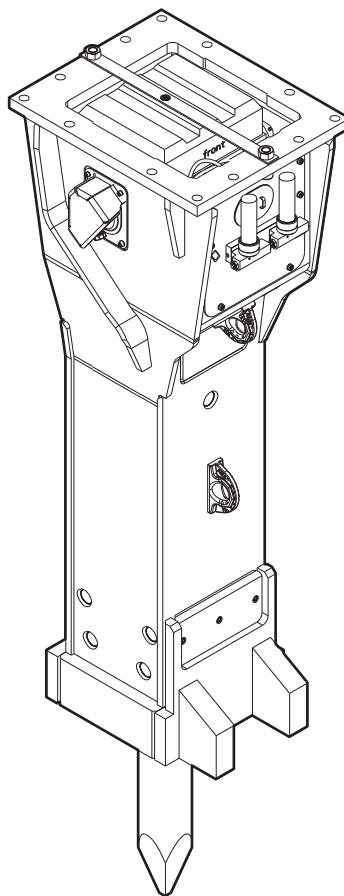
# HB 7000, 7000 DP

---

## Spare parts list Hydraulic breakers

HB 7000 s/n DEQ220482 -

HB 7000 DP s/n DEQ220482 -



# General information

This spare parts list applies to the following:

| Part number | Description                                                            |
|-------------|------------------------------------------------------------------------|
| 3363120920  | Hydraulic breaker HB 7000 with lower wear bush (steel)                 |
| 3363121277  | Hydraulic breaker HB 7000 with lower wear bush (bronze)                |
| 3363120949  | Hydraulic breaker HB 7000 DP with lower wear bush (steel)              |
| 3363121278  | Hydraulic breaker HB 7000 DP with lower wear bush (bronze)             |
| 3363124802  | Hydraulic breaker HB 7000 with lower wear bush (steel) with HATCON     |
| 3363124803  | Hydraulic breaker HB 7000 with lower wear bush (bronze) with HATCON    |
| 3363124804  | Hydraulic breaker HB 7000 DP with lower wear bush (steel) with HATCON  |
| 3363124805  | Hydraulic breaker HB 7000 DP with lower wear bush (bronze) with HATCON |

Use only authorized parts. Any damage or malfunction caused by the use of unauthorized parts is not covered by Warranty or Product Liability. Any unauthorized use or copying of the contents or any part thereof is prohibited. This applies in particular to trademarks, model denominations, part numbers, and drawings.

## Instructions for use

This spare parts list contains no safety regulations and is merely intended to assist in the ordering of spare parts.

For information about operating, servicing, or repairing, the relevant Safety and operating instructions must be consulted at all costs.

Please observe the safety instructions listed in the relevant Safety and operating instructions!

## Instructions for ordering

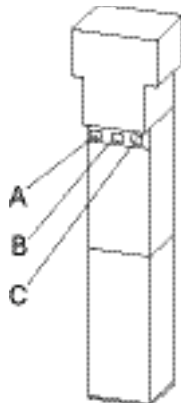
It is essential to indicate the serial number of the hydraulic attachment when ordering spare parts!

Please note the full identification number of your hydraulic attachment.

The code can be found on the cylinder.

Determine the quantity of individual parts which are required and need to be ordered. The order must indicate the following details:

- full identification code of the hydraulic attachment
- required quantity
- part number
- description



- A. Cylinder number
- B. Type
- C. Serial number

## Service, repair and wear part kits

|           |   |
|-----------|---|
| Label kit | 1 |
| Kit list  | 3 |

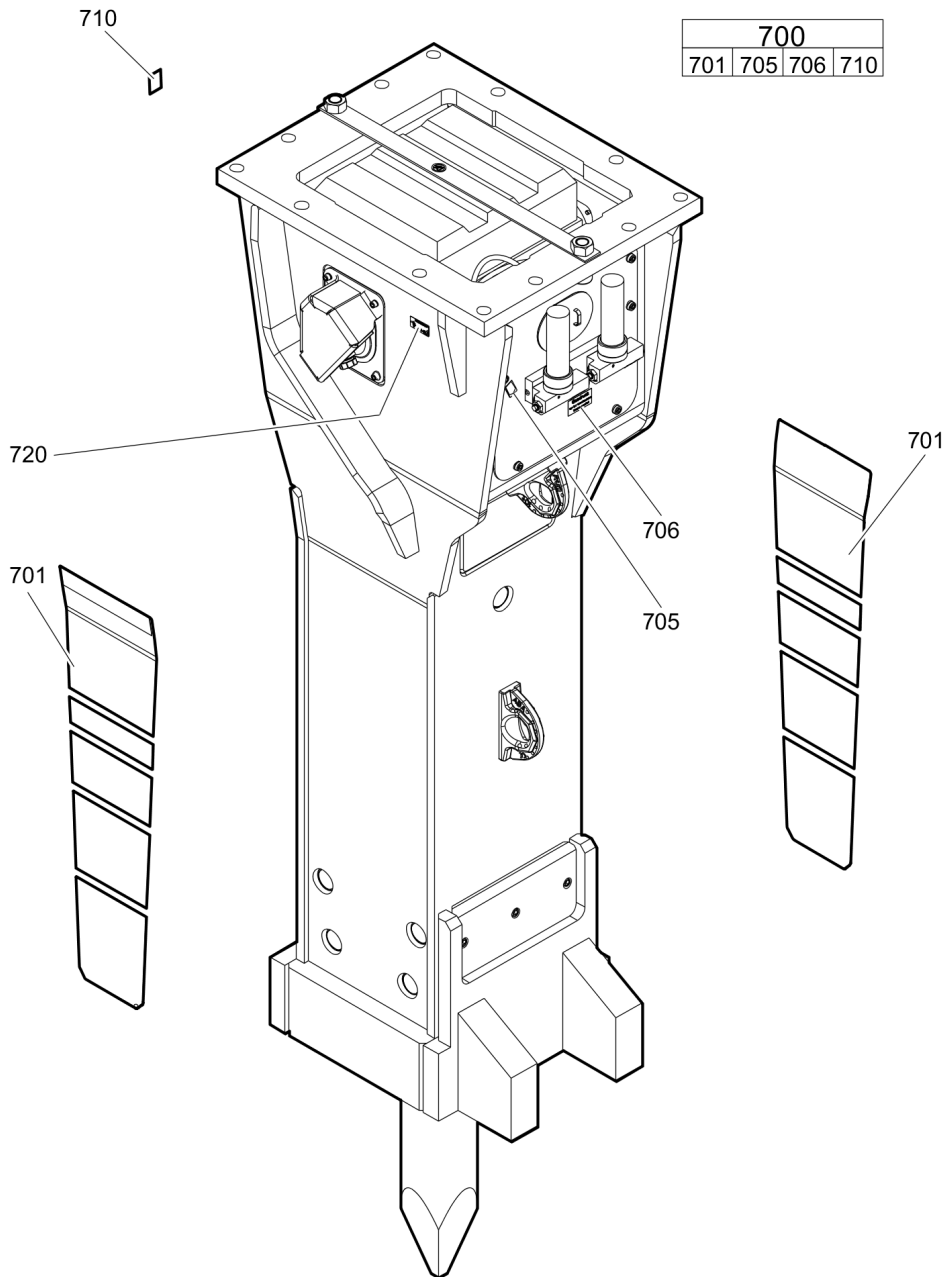
## Mechanical

|                                                     |    |
|-----------------------------------------------------|----|
| Hydraulic breaker HB 7000                           | 8  |
| Hydraulic breaker HB 7000 DP                        | 12 |
| Percussion unit part 1: cylinder cover              | 16 |
| Percussion unit part 2: cylinder                    | 20 |
| Percussion unit part 3: lower breaker part (steel)  | 23 |
| Percussion unit part 3: lower breaker part (bronze) | 25 |
| Connecting kit for automatic lubrication system     | 27 |
| HATCON                                              | 29 |
| Optional parts                                      | 31 |
| Tightening torques                                  | 33 |
| Dimensions HB 7000                                  | 36 |
| Dimensions HB 7000 DP                               | 38 |

## Options / accessories

|                                      |    |
|--------------------------------------|----|
| Hydraulic hoses                      | 40 |
| Optional equipment                   | 43 |
| Working tools ClassicLine HB 7000    | 45 |
| Working tools ProLine HB 7000        | 47 |
| Working tools ClassicLine HB 7000 DP | 49 |
| Working tools ProLine HB 7000 DP     | 51 |

Service, repair and wear part kits Label kit



| Item         | Part No.   | Name                                                                     | Qty | L |
|--------------|------------|--------------------------------------------------------------------------|-----|---|
| 700(701-710) | 3363121380 | Label kit HB 7000                                                        | 1   |   |
| 701          |            | Label "HB 7000 Epiroc"                                                   | 2   |   |
| 705          |            | Label - Lubricating symbol                                               | 1   |   |
| 706          |            | Label - Gas pressure                                                     | 2   |   |
| 710          |            | Sound power label                                                        | 1   |   |
| 720          |            | Name plate - Consult the authorized Customer Center/Dealer in your area. | 1   |   |

Service, repair and wear part kits Kit list

NO EXPLODED VIEW  
AVAILABLE  
FOR THIS BOM

| Item         | Part No.   | Name                                                       | Qty | L |
|--------------|------------|------------------------------------------------------------|-----|---|
| KIT          | 3363121225 | Seal kit                                                   | 1   |   |
| 103          | 3360314376 | O-ring                                                     | 1   |   |
| 108          | 3360314370 | O-ring                                                     | 1   |   |
| 112          | 3363123253 | Seal                                                       | 1   |   |
| 115          | 3360478171 | O-ring                                                     | 1   |   |
| 138          | 3360314373 | O-ring                                                     | 2   |   |
| 145(146-147) | 3361850422 | Seal kit                                                   | 1   |   |
| 146          |            | O-ring                                                     | 2   |   |
| 147          |            | Back-up ring                                               | 2   |   |
| 155(156-157) | 3361850422 | Seal kit                                                   | 1   |   |
| 156          |            | O-ring                                                     | 2   |   |
| 157          |            | Back-up ring                                               | 2   |   |
| 164          | 3360314364 | O-ring                                                     | 2   |   |
| 165          | 3360328046 | Back-up ring                                               | 2   |   |
| 182          | 3360478426 | Threaded plug                                              | 1   |   |
| 183          | 3360175125 | O-ring                                                     | 1   |   |
| 196          | 3363121175 | Seal                                                       | 1   |   |
| 197          | 3363121176 | Back-up ring                                               | 2   |   |
| 198          | 3360314453 | O-ring                                                     | 1   |   |
| 203          | 3363103419 | Seal                                                       | 1   |   |
| 204          | 3360314455 | O-ring                                                     | 16  |   |
| 205          | 3360314368 | O-ring                                                     | 7   |   |
| 206          | 3360478097 | O-ring                                                     | 12  |   |
| 207          | 3361031988 | O-ring                                                     | 2   |   |
| 290(291-292) | 3362268907 | Seal kit                                                   | 2   |   |
| 291          |            | Back-up ring                                               | 1   |   |
| 292          |            | Seal                                                       | 1   |   |
| 305          | 3363083672 | Wiper                                                      | 1   |   |
| 370          | 3360106819 | Lock pin                                                   | 1   |   |
| 390(391-392) | 3362268905 | Seal kit                                                   | 2   |   |
| 391          |            | Seal                                                       | 1   |   |
| 392          |            | Back-up ring                                               | 1   |   |
| 407          | 3360106818 | Lock pin                                                   | 1   |   |
| 411          | 3360314453 | O-ring                                                     | 3   |   |
| KIT          | 3363091732 | Seal kit for swivel joint for automatic lubrication system | 1   |   |
| KIT          | 3363089517 | Plastic parts kit                                          | 1   |   |
| 2            | 3362260549 | Elastic pad                                                | 1   |   |

Refer to the DocMine web page for most up-to-date information. The printed information might be outdated.

Tue May 03 07:00:10 UTC 2022

| Item | Part No.   | Name                                             | Qty | L |
|------|------------|--------------------------------------------------|-----|---|
| 3    | 3362260545 | Shock absorber                                   | 2   |   |
| 4    | 3362269697 | Guide plate                                      | 4   |   |
| 5    | 3362262667 | Guide plate                                      | 2   |   |
| 6    | 3362262665 | Guide plate                                      | 2   |   |
| 7    | 3363093383 | Plate                                            | 1   |   |
| KIT  | 3363094355 | Tensioning bolt kit                              | 1   | A |
| 191  |            | Tensioning bolt                                  | 4   |   |
| 192  | 3363093655 | Washer                                           | 4   |   |
| 487  | 3363085499 | Threaded insert                                  | 4   |   |
| KIT  | 3363094391 | DustProtector kit                                | 1   |   |
| 11   | 3363070666 | Floating ring (tribolid)                         | 1   |   |
| 12   | 3363035643 | Counter ring                                     | 1   |   |
| 13   | 3363035639 | Guide ring                                       | 1   |   |
| 14   | 3363070645 | Bolt                                             | 2   |   |
| 15   | 3361854363 | Locking bush                                     | 2   |   |
| KIT  | 3363119327 | Noise protection kit                             | 1   |   |
| 31   | 3363086017 | Plug                                             | 2   |   |
| 32   | 3363031181 | Cover                                            | 13  |   |
| 39   | 3363092697 | Cover                                            | 1   |   |
| KIT  | 3363103412 | Lower breaker part kit (steel)                   | 1   |   |
| 401  | 3362260429 | Retainer bar                                     | 2   |   |
| 405  | 3362260431 | Bolt                                             | 2   |   |
| 409  | 3362260435 | Plug                                             | 4   |   |
| 482  | 3363069085 | Impact ring                                      | 1   |   |
| 483  | 3363069507 | Wear bush                                        | 1   |   |
| 484  | 3363088657 | Wear bush (steel)                                | 1   |   |
| 485  | 3362260431 | Bolt                                             | 4   |   |
| 486  | 3362260433 | Locking bush                                     | 6   |   |
| -    | 3361031988 | O-ring                                           | 1   |   |
| -    | 3315038100 | Bio chisel paste cartridge, 1 x 400 g (0.88 lbs) | 1   |   |
| -    | 3362235295 | Test gauge lower wear bush                       | 1   |   |
| KIT  | 3363094381 | Lower breaker part kit (bronze)                  | 1   |   |
| 401  | 3362260429 | Retainer bar                                     | 2   |   |
| 405  | 3362260431 | Bolt                                             | 2   |   |
| 409  | 3362260435 | Plug                                             | 4   |   |
| 482  | 3363069085 | Impact ring                                      | 1   |   |
| 483  | 3363069507 | Wear bush                                        | 1   |   |

Refer to the DocMine web page for most up-to-date information. The printed information might be outdated.

Tue May 03 07:00:10 UTC 2022



| Item | Part No.   | Name                                                      | Qty | L |
|------|------------|-----------------------------------------------------------|-----|---|
| 484  | 3363088513 | Wear bush (bronze)                                        | 1   |   |
| 485  | 3362260431 | Bolt                                                      | 4   |   |
| 486  | 3362260433 | Locking bush                                              | 6   |   |
| -    | 3361031988 | O-ring                                                    | 1   |   |
| -    | 3315038100 | Bio chisel paste cartridge, 1 x 400 g (0.88 lbs)          | 1   |   |
| -    | 3362235295 | Test gauge lower wear bush                                | 1   |   |
| KIT  | 3363103413 | Lower breaker part kit (steel) for DustProtector version  | 1   |   |
| 18   | 3363088649 | Base for wiper                                            | 1   |   |
| 19   | 3363034589 | Wiper                                                     | 1   |   |
| 401  | 3362260429 | Retainer bar                                              | 2   |   |
| 405  | 3362260431 | Bolt                                                      | 2   |   |
| 409  | 3362260435 | Plug                                                      | 4   |   |
| 482  | 3363069085 | Impact ring                                               | 1   |   |
| 483  | 3363069507 | Wear bush                                                 | 1   |   |
| 484  | 3363088657 | Wear bush (steel)                                         | 1   |   |
| 485  | 3362260431 | Bolt                                                      | 4   |   |
| 486  | 3362260433 | Locking bush                                              | 6   |   |
| -    | 3361031988 | O-ring                                                    | 1   |   |
| -    | 3315038100 | Bio chisel paste cartridge, 1 x 400 g (0.88 lbs)          | 1   |   |
| -    | 3362235295 | Test gauge lower wear bush                                | 1   |   |
| KIT  | 3363094382 | Lower breaker part kit (bronze) for DustProtector version | 1   |   |
| 18   | 3363088649 | Base for wiper                                            | 1   |   |
| 19   | 3363034589 | Wiper                                                     | 1   |   |
| 401  | 3362260429 | Retainer bar                                              | 2   |   |
| 405  | 3362260431 | Bolt                                                      | 2   |   |
| 409  | 3362260435 | Plug                                                      | 4   |   |
| 482  | 3363069085 | Impact ring                                               | 1   |   |
| 483  | 3363069507 | Wear bush                                                 | 1   |   |
| 484  | 3363088513 | Wear bush (bronze)                                        | 1   |   |
| 485  | 3362260431 | Bolt                                                      | 4   |   |
| 486  | 3362260433 | Locking bush                                              | 6   |   |
| -    | 3361031988 | O-ring                                                    | 1   |   |
| -    | 3315038100 | Bio chisel paste cartridge, 1 x 400 g (0.88 lbs)          | 1   |   |
| -    | 3362235295 | Test gauge lower wear bush                                | 1   |   |
| KIT  | 3363103487 | Fastening screw kit                                       | 1   |   |
| 161  | 3363113101 | Fastening screw                                           | 4   |   |
| 162  | 3363100049 | Washer                                                    | 4   |   |

Refer to the DocMine web page for most up-to-date information. The printed information might be outdated.

Tue May 03 07:00:10 UTC 2022

| Item | Part No.   | Name                   | Qty | L |
|------|------------|------------------------|-----|---|
| 172  | 3361031546 | Threaded insert        | 4   |   |
| KIT  | 3363089850 | Accumulator repair kit | 1   |   |
| -    | 3361329022 | Diaphragm              | 1   |   |
| -    | 3360332259 | Filling screw          | 1   |   |
| -    | 3360314460 | O-ring                 | 1   |   |
| -    | 3361335025 | Protective cap         | 1   |   |
| -    | 3360314364 | O-ring                 | 1   |   |
| -    | 3360328046 | Back-up ring           | 1   |   |

Comments for Page: Kit list

A | You need Anti-Seize agent when fitting tensioning bolts. You have to order it separately.

Anti-seize 120 g, part number 3363094300

Or buy it locally according to the following specification:

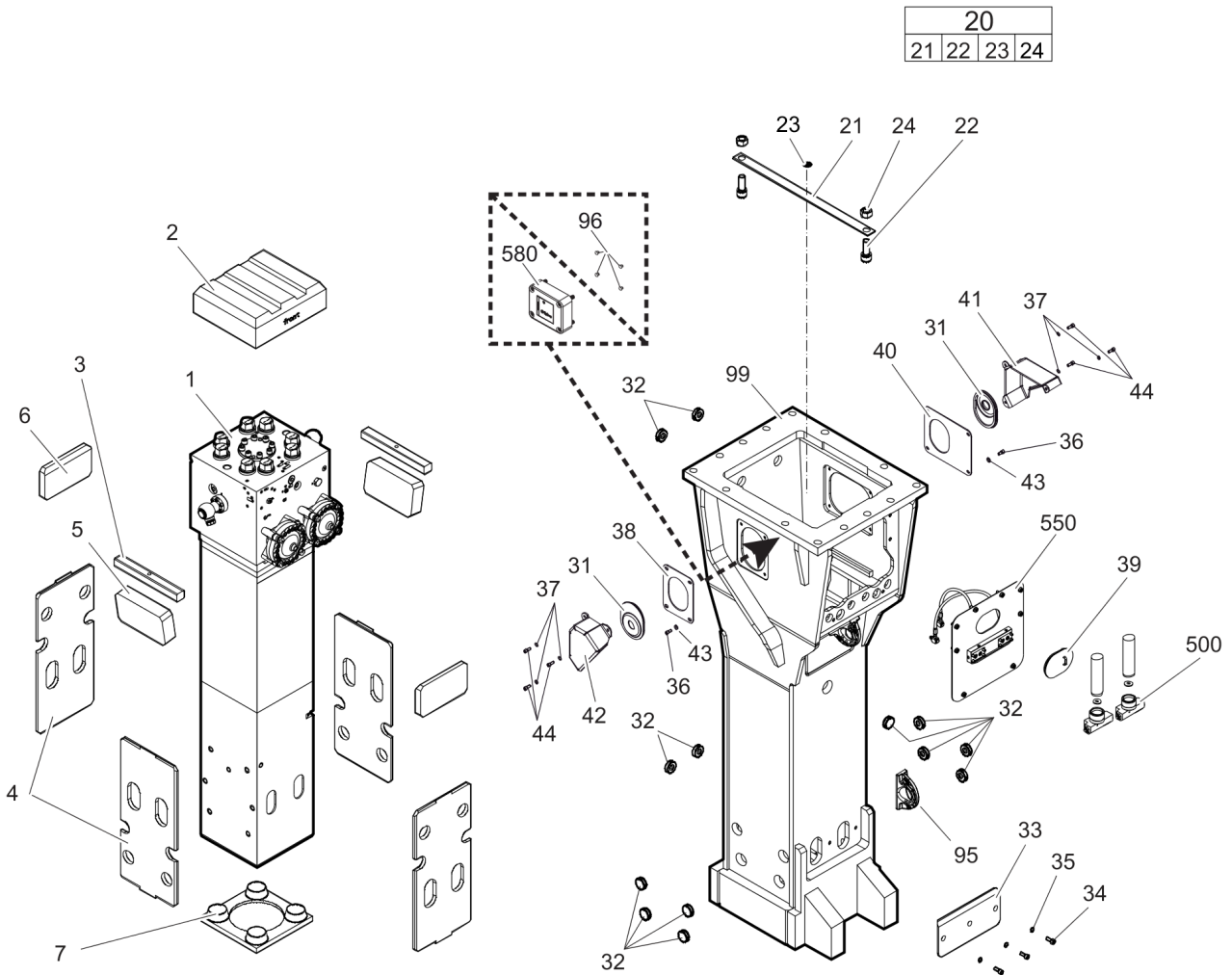
coefficient of friction 0.14  $\mu$

coefficient of friction thread 0.13  $\mu$

coefficient of friction on upside down 0.15  $\mu$

This page intentionally left blank

Mechanical Hydraulic breaker HB 7000



| Item      | Part No.   | Name                                            | Qty | L |
|-----------|------------|-------------------------------------------------|-----|---|
| 1         |            | Percussion unit                                 | 1   | A |
| 2         | 3362260549 | Elastic pad                                     | 1   |   |
| 3         | 3362260545 | Shock absorber                                  | 2   |   |
| 4         | 3362269697 | Guide plate                                     | 4   |   |
| 5         | 3362262667 | Guide plate                                     | 2   |   |
| 6         | 3362262665 | Guide plate                                     | 2   |   |
| 7         | 3363093383 | Plate                                           | 1   |   |
| 20(21-24) | 3363083677 | Transport safety device complete                | 1   |   |
| 21        |            | Transport safety device                         | 1   |   |
| 22        | 3360114151 | Allen screw                                     | 2   |   |
| 23        | 3363091872 | Label transport safety device                   | 1   |   |
| 24        | 3360103255 | Nut                                             | 2   |   |
| 31        | 3363031181 | Cover                                           | 2   |   |
| 32        | 3363086017 | Plug                                            | 13  |   |
| 33        | 3363098852 | Plate                                           | 1   |   |
| 34        | 3360103768 | Allen screw                                     | 3   |   |
| 35        | 3361333703 | Pair of lock washers                            | 3   |   |
| 36        | 3360103750 | Allen screw                                     | 2   |   |
| 37        | 3361850596 | Pair of lock washers                            | 6   |   |
| 38        | 3363098838 | Plate                                           | 1   |   |
| 39        | 3363092697 | Cover                                           | 1   |   |
| 40        | 3363106729 | Plate                                           | 1   |   |
| 41        | 3363111477 | Swivel joint cover                              | 1   |   |
| 42        | 3363111461 | Swivel joint cover                              | 1   |   |
| 43        | 3363111296 | Pair of lock washers                            | 2   |   |
| 44        | 3360103751 | Allen screw                                     | 6   |   |
| 95        | 3363111996 | Lifting eye                                     | 2   | B |
| 96        | 3315439145 | Protective plug HATCON                          | 4   | C |
| 99        | 3363106730 | Breaker box                                     | 1   | D |
| 500       | 3363067123 | Automatic lubrication system                    | 2   |   |
| 550       |            | Connecting kit for automatic lubrication system | 1   | A |
| 580       |            | HATCON                                          | 1   | E |

Comments for Page: Hydraulic breaker HB 7000

(L)OCAL REMARKS

A | see separate chapter

B | professional welding process necessary

Refer to the DocMine web page for most up-to-date information. The printed information might be outdated.

Tue May 03 07:00:15 UTC 2022

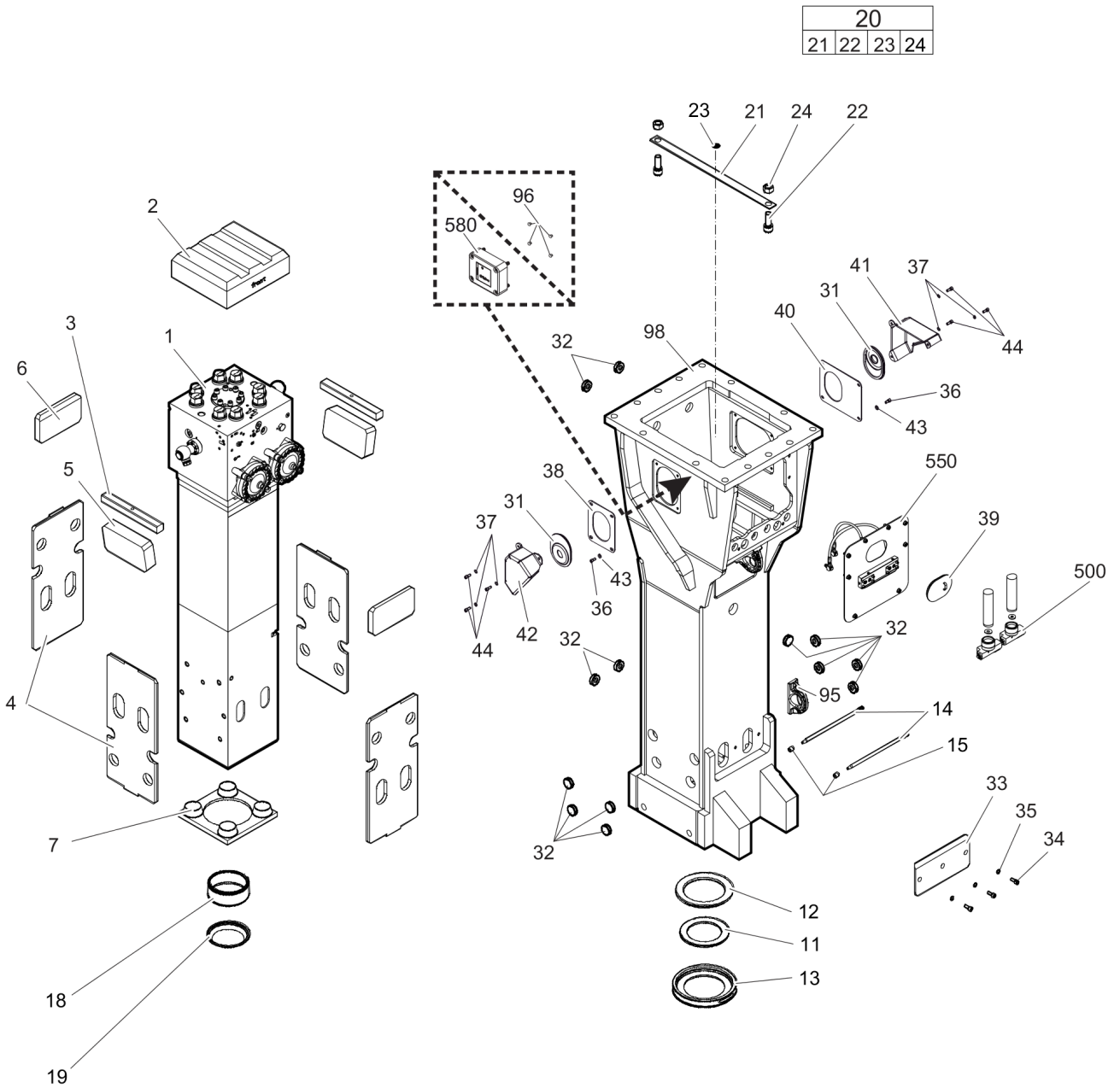
C | only for hydraulic breakers without HATCON

D | with item 95 and 96

E | only for hydraulic breakers with HATCON / see separate chapter

This page intentionally left blank

Mechanical Hydraulic breaker HB 7000 DP



Refer to the DocMine web page for most up-to-date information. The printed information might be outdated.  
Tue May 03 07:00:15 UTC 2022



| Item      | Part No.   | Name                             | Qty | L |
|-----------|------------|----------------------------------|-----|---|
| 1         |            | Percussion unit                  | 1   | A |
| 2         | 3362260549 | Elastic pad                      | 1   |   |
| 3         | 3362260545 | Shock absorber                   | 2   |   |
| 4         | 3362269697 | Guide plate                      | 4   |   |
| 5         | 3362262667 | Guide plate                      | 2   |   |
| 6         | 3362262665 | Guide plate                      | 2   |   |
| 7         | 3363093383 | Plate                            | 1   |   |
| 11        | 3363070666 | Floating ring (tribolid)         | 1   | B |
| 12        | 3363035643 | Counter ring                     | 1   |   |
| 13        | 3363035639 | Guide ring                       | 1   |   |
| 14        | 3363070645 | Bolt                             | 2   |   |
| 15        | 3361854363 | Locking bush                     | 2   |   |
| 18        | 3363088649 | Base for wiper                   | 1   |   |
| 19        | 3363034589 | Wiper                            | 1   |   |
| 20(21-24) | 3363083677 | Transport safety device complete | 1   |   |
| 21        |            | Transport safety device          | 1   |   |
| 22        | 3360114151 | Allen screw                      | 2   |   |
| 23        | 3363091872 | Label transport safety device    | 1   |   |
| 24        | 3360103255 | Nut                              | 2   |   |
| 31        | 3363031181 | Cover                            | 2   |   |
| 32        | 3363086017 | Plug                             | 13  |   |
| 33        | 3363098852 | Plate                            | 1   |   |
| 34        | 3360103768 | Allen screw                      | 3   |   |
| 35        | 3361333703 | Pair of lock washers             | 3   |   |
| 36        | 3360103750 | Allen screw                      | 2   |   |
| 37        | 3361850596 | Pair of lock washers             | 6   |   |
| 38        | 3363098838 | Plate                            | 1   |   |
| 39        | 3363092697 | Cover                            | 1   |   |
| 40        | 3363106729 | Plate                            | 1   |   |
| 41        | 3363111477 | Swivel joint cover               | 1   |   |
| 42        | 3363111461 | Swivel joint cover               | 1   |   |
| 43        | 3363111296 | Pair of lock washers             | 2   |   |
| 44        | 3360103751 | Allen screw                      | 6   |   |
| 95        | 3363111996 | Lifting eye                      | 2   | C |
| 96        | 3315439145 | Protective plug HATCON           | 4   | D |
| 98        | 3363106726 | Breaker box                      | 1   | E |
| 500       | 3363067123 | Automatic lubrication system     | 2   |   |

Refer to the DocMine web page for most up-to-date information. The printed information might be outdated.

Tue May 03 07:00:15 UTC 2022

| Item | Part No. | Name                                            | Qty | L |
|------|----------|-------------------------------------------------|-----|---|
| 550  |          | Connecting kit for automatic lubrication system | 1   | A |
| 580  |          | HATCON                                          | 1   | F |

Comments for Page: Hydraulic breaker HB 7000 DP

(L)OCAL REMARKS

A | see separte chapter

B | steel see chapter Optional parts

C | professional welding process necessary

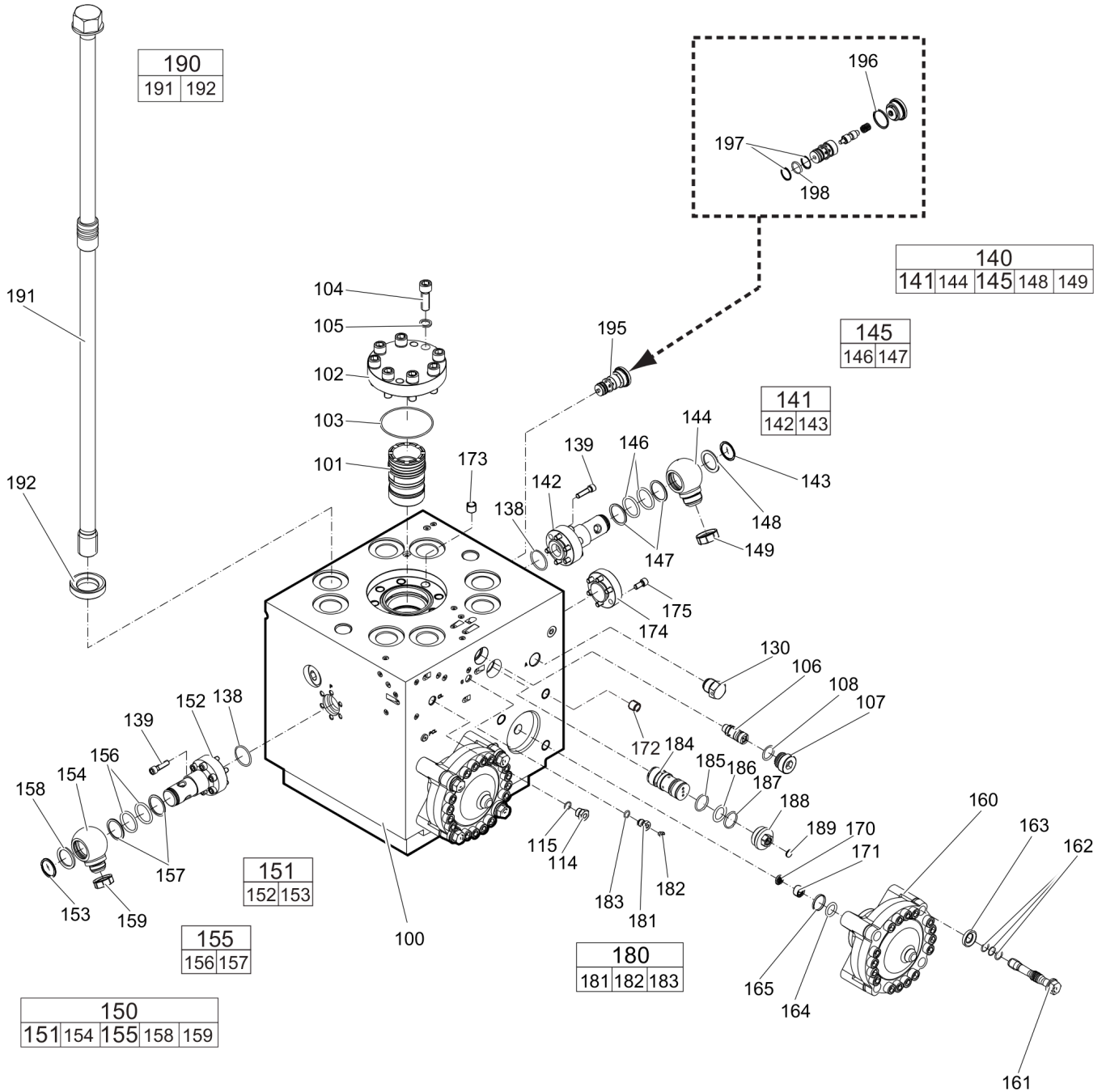
D | only for hydraulic breakers without HATCON

E | with item 95 and 96

F | only for hydraulic breakers with HATCON / see separate chapter

This page intentionally left blank

Mechanical Percussion unit part 1: cylinder cover



Refer to the DocMine web page for most up-to-date information. The printed information might be outdated.  
 Tue May 03 07:00:18 UTC 2022

| Item         | Part No.   | Name                  | Qty | L |
|--------------|------------|-----------------------|-----|---|
| 100          | 3363121010 | Cylinder cover        | 1   | A |
| 101          | 3363086519 | Main control valve    | 1   |   |
| 102          | 3363086515 | Cover                 | 1   |   |
| 103          | 3360314376 | O-ring                | 1   |   |
| 104          | 3360026784 | Allen screw           | 8   |   |
| 105          | 3361850748 | Pair of lock washers  | 8   |   |
| 106          | 3363035453 | Valve                 | 1   | B |
| 107          | 3363035425 | Threaded plug         | 1   |   |
| 108          | 3360314370 | O-ring                | 1   |   |
| 114          | 3361854657 | Connecting screw      | 1   |   |
| 115          | 3360478171 | O-ring                | 1   |   |
| 130          | 3361854511 | Non-return valve      | 1   |   |
| 138          | 3360314373 | O-ring                | 2   |   |
| 139          | 3360026513 | Allen screw           | 12  |   |
| 140(141-149) | 3363116889 | Swivel joint complete | 1   |   |
| 141(142-143) | 3363116887 | Adapter complete      | 1   |   |
| 142          |            | Adapter               | 1   |   |
| 143          | 3363116062 | Snapring              | 1   |   |
| 144          | 3363086569 | Adapter               | 1   |   |
| 145(146-147) | 3361850422 | Seal kit              | 1   |   |
| 146          |            | O-ring                | 2   |   |
| 147          |            | Back-up ring          | 2   |   |
| 148          | 3361356645 | Disk                  | 1   |   |
| 149          | 3363083749 | Cap                   | 1   |   |
| 150(151-159) | 3363116888 | Swivel joint complete | 1   |   |
| 151(152-153) | 3363116887 | Adapter complete      | 1   |   |
| 152          |            | Adapter               | 1   |   |
| 153          | 3363116062 | Snapring              | 1   |   |
| 154          | 3361356643 | Adapter               | 1   |   |
| 155(156-157) | 3361850422 | Seal kit              | 1   |   |
| 156          |            | O-ring                | 2   |   |
| 157          |            | Back-up ring          | 2   |   |
| 158          | 3361356645 | Disk                  | 1   |   |
| 159          | 3361353489 | Cap                   | 1   |   |
| 160          | 3363094981 | HP-accumulator        | 2   |   |
| 161          | 3363113101 | Fastening screw       | 8   | C |
| 162          | 3363114730 | Service kit O-rings   | 2   | D |

Refer to the DocMine web page for most up-to-date information. The printed information might be outdated.

Tue May 03 07:00:18 UTC 2022

| Item         | Part No.   | Name                     | Qty | L |
|--------------|------------|--------------------------|-----|---|
| 163          | 3363100049 | Washer                   | 8   |   |
| 164          | 3360314364 | O-ring                   | 2   |   |
| 165          | 3360328046 | Back-up ring             | 2   |   |
| 170          | 3361844113 | Strainer disk            | 2   |   |
| 171          | 3361844115 | Threaded plug            | 2   |   |
| 172          | 3361031546 | Threaded insert          | 8   |   |
| 173          | 3361031529 | Threaded insert          | 8   |   |
| 174          | 3363104787 | Flange                   | 1   |   |
| 175          | 3360103750 | Allen screw              | 6   |   |
| 180(181-183) | 3363087286 | Filling valve complete   | 1   |   |
| 181          |            | Filling valve            | 1   |   |
| 182          | 3360478426 | Threaded plug            | 1   |   |
| 183          | 3360175125 | O-ring                   | 1   |   |
| 184          | 3363126207 | Safety valve             | 1   | E |
| 185          | 3363123253 | Seal                     | 1   |   |
| 186          | 3360314790 | O-ring                   | 1   |   |
| 187          | 3363126739 | Back-up ring             | 1   |   |
| 188          | 3363126740 | Threaded plug            | 1   | F |
| 189          | 3363087087 | Cap                      | 1   |   |
| 190(191-192) | 3363085625 | Tensioning bolt complete | 8   |   |
| 191          |            | Tensioning bolt          | 1   |   |
| 192          | 3363093655 | Washer                   | 1   |   |
| 195          | 3363120683 | Valve                    | 1   | G |
| 196          | 3363121175 | Seal                     | 1   |   |
| 197          | 3363121176 | Back-up ring             | 2   |   |
| 198          | 3360314453 | O-ring                   | 1   |   |

Comments for Page: Percussion unit part 1: cylinder cover

(L)OCAL REMARKS

A | with items 170 - 175

B | AutoControl

C | each fastening screw with 3 o-rings item 162

D | 12 o-rings for all 4 fastening screws item 161

E | PowerAdapt with item 185

Only in exchange for the part to be replaced. Consult the authorized Customer Center/Dealer in your area.

F | with item 186,187,189

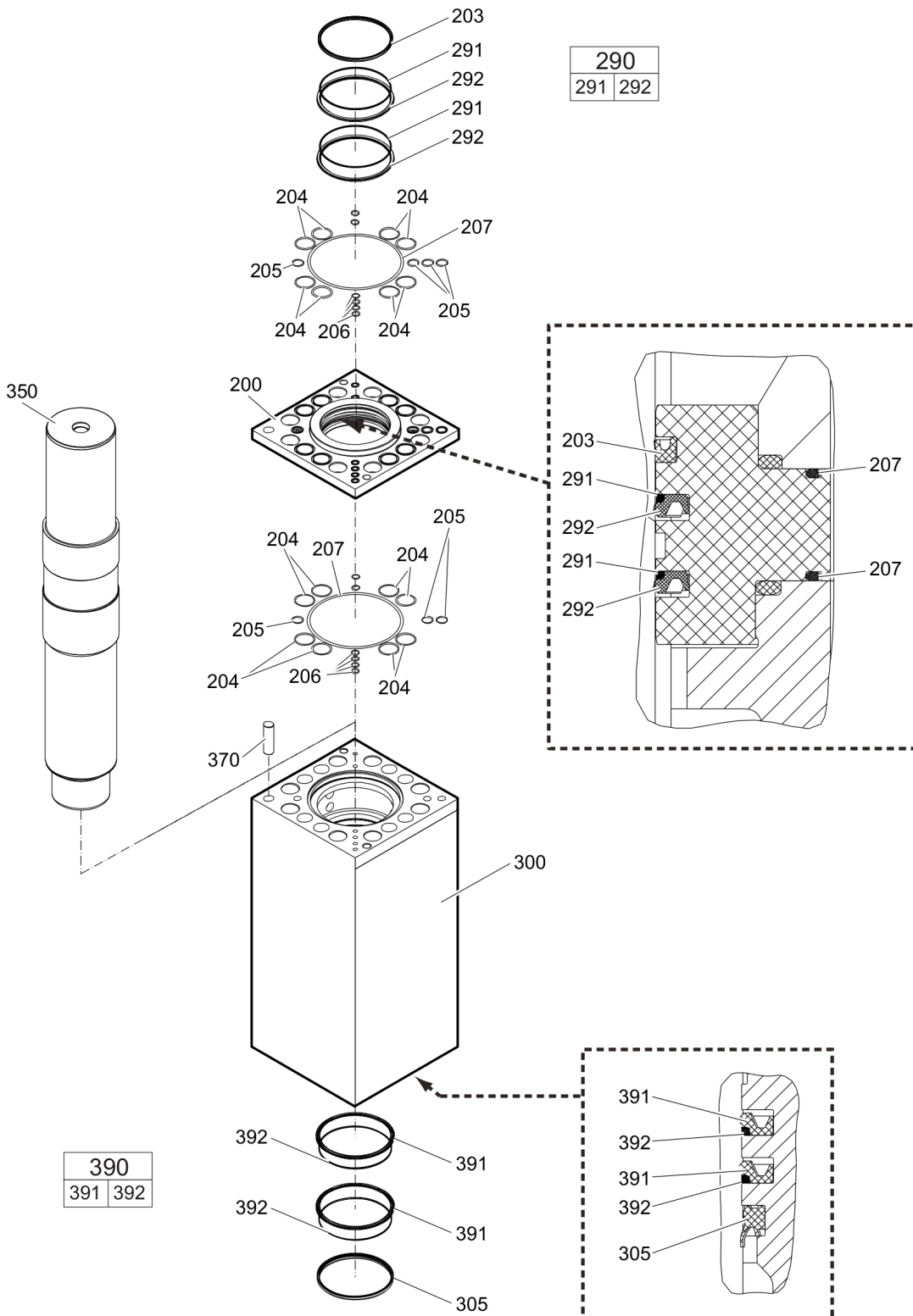
G | IPS - Intelligent Protection System with item 196 - 198

Refer to the DocMine web page for most up-to-date information. The printed information might be outdated.

Tue May 03 07:00:20 UTC 2022

This page intentionally left blank

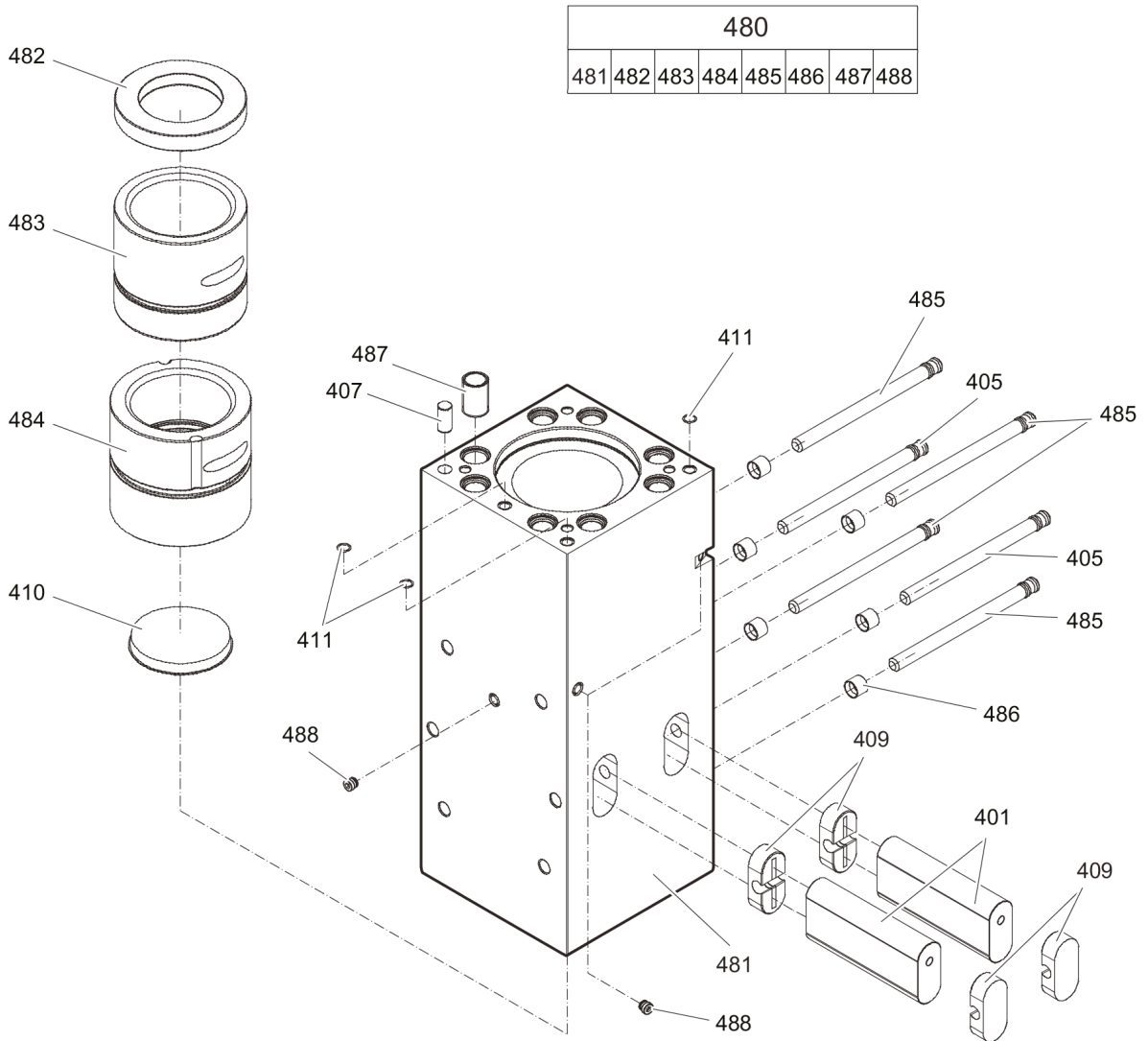
Mechanical Percussion unit part 2: cylinder





| Item         | Part No.   | Name              | Qty | L |
|--------------|------------|-------------------|-----|---|
| 200          | 3363120916 | Seal flange       | 1   |   |
| 203          | 3363103419 | Seal              | 1   |   |
| 204          | 3360314455 | O-ring            | 16  |   |
| 205          | 3360314368 | O-ring            | 7   |   |
| 206          | 3360478097 | O-ring            | 12  |   |
| 207          | 3361031988 | O-ring            | 2   |   |
| 290(291-292) | 3362268907 | Seal kit          | 2   |   |
| 291          |            | Back-up ring      | 1   |   |
| 292          |            | Seal              | 1   |   |
| 300          | 3363121022 | Cylinder          | 1   |   |
| 305          | 3363083672 | Wiper             | 1   |   |
| 350          | 3363087006 | Percussion piston | 1   |   |
| 370          | 3360106819 | Lock pin          | 1   |   |
| 390(391-392) | 3362268905 | Seal kit          | 2   |   |
| 391          |            | Seal              | 1   |   |
| 392          |            | Back-up ring      | 1   |   |

Mechanical Percussion unit part 3: lower breaker part (steel)



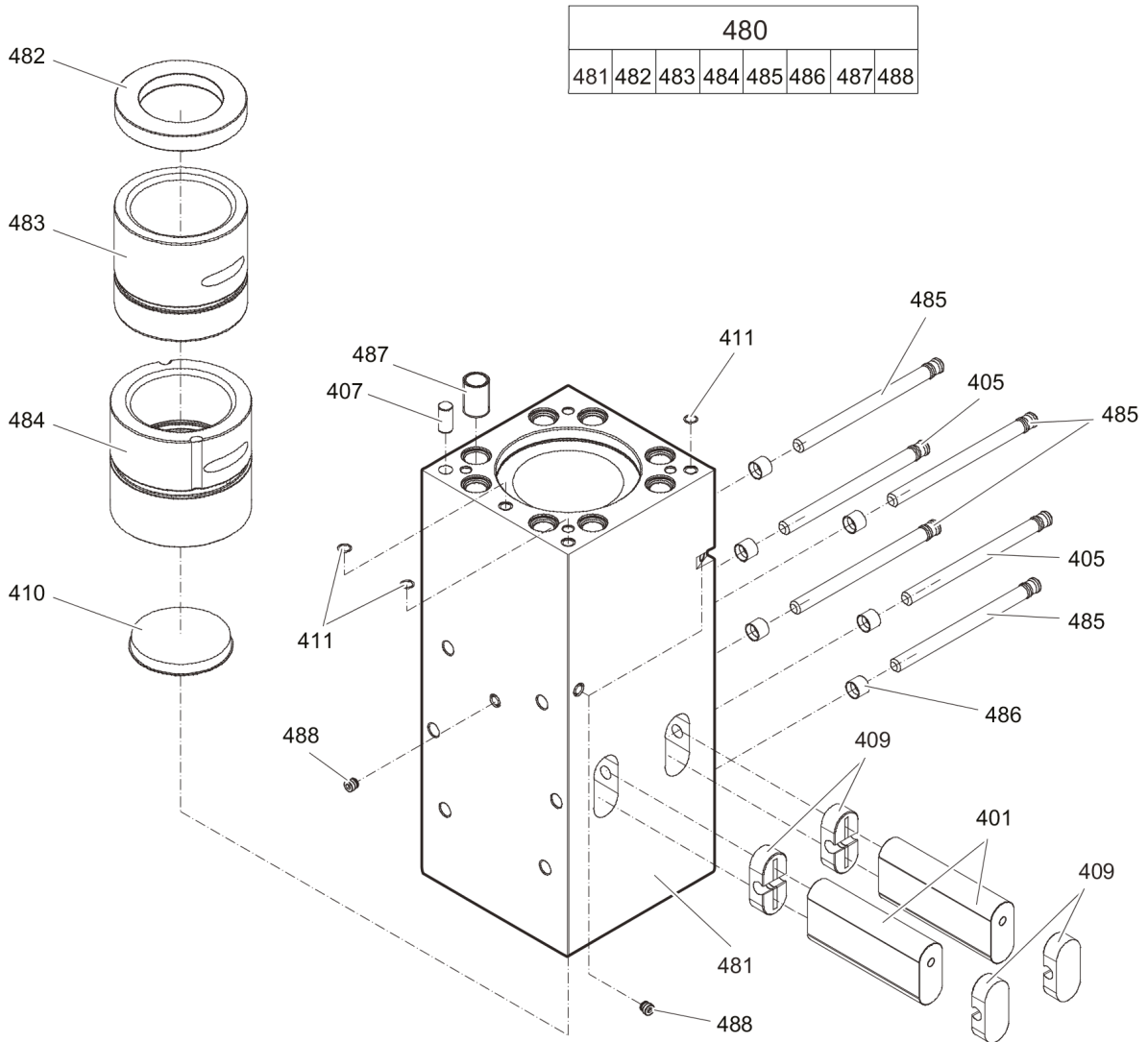
| Item         | Part No.   | Name                                                   | Qty | L |
|--------------|------------|--------------------------------------------------------|-----|---|
| 401          | 3362260429 | Retainer bar                                           | 2   |   |
| 405          | 3362260431 | Bolt                                                   | 2   |   |
| 407          | 3360106818 | Lock pin                                               | 1   |   |
| 409          | 3362260435 | Plug                                                   | 4   |   |
| 410          | 3361855719 | Protective cap                                         | 1   |   |
| 411          | 3360314453 | O-ring                                                 | 3   |   |
| 480(481-488) | 3363089500 | Lower breaker part complete with lower wear bush steel | 1   | A |
| 481          |            | Lower breaker part                                     | 1   |   |
| 482          | 3363069085 | Impact ring                                            | 1   |   |
| 483          | 3363069507 | Wear bush                                              | 1   |   |
| 484          | 3363088657 | Wear bush (steel)                                      | 1   |   |
| 485          | 3362260431 | Bolt                                                   | 4   |   |
| 486          | 3362260433 | Locking bush                                           | 6   |   |
| 487          | 3363085499 | Threaded insert                                        | 8   |   |
| 488          | 3363086301 | Plug                                                   | 3   |   |

Comments for Page: Percussion unit part 3: lower breaker part (steel)

(L)OCAL REMARKS

A | Note: When ordering a lower breaker part for DustProtector version it is imperative to order additionally the base for wiper (item 18) and the wiper (item 19).

Mechanical Percussion unit part 3: lower breaker part (bronze)



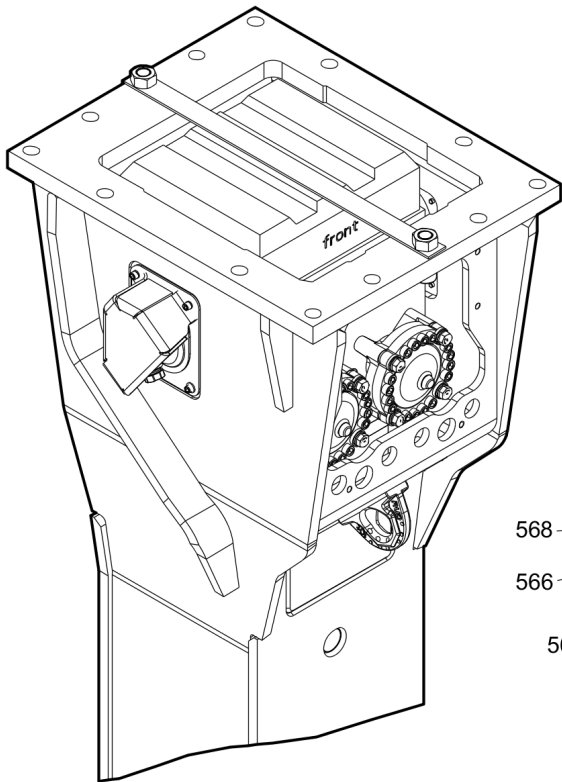
| Item         | Part No.   | Name                                                    | Qty | L |
|--------------|------------|---------------------------------------------------------|-----|---|
| 401          | 3362260429 | Retainer bar                                            | 2   |   |
| 405          | 3362260431 | Bolt                                                    | 2   |   |
| 407          | 3360106818 | Lock pin                                                | 1   |   |
| 409          | 3362260435 | Plug                                                    | 4   |   |
| 410          | 3361855719 | Protective cap                                          | 1   |   |
| 411          | 3360314453 | O-ring                                                  | 3   |   |
| 480(481-488) | 3363116925 | Lower breaker part complete with lower wear bush bronze | 1   | A |
| 481          |            | Lower breaker part                                      | 1   |   |
| 482          | 3363069085 | Impact ring                                             | 1   |   |
| 483          | 3363069507 | Wear bush                                               | 1   |   |
| 484          | 3363088513 | Wear bush (bronze)                                      | 1   |   |
| 485          | 3362260431 | Bolt                                                    | 4   |   |
| 486          | 3362260433 | Locking bush                                            | 6   |   |
| 487          | 3363085499 | Threaded insert                                         | 8   |   |
| 488          | 3363086301 | Plug                                                    | 3   |   |

Comments for Page: Percussion unit part 3: lower breaker part (bronze)

(L)OCAL REMARKS

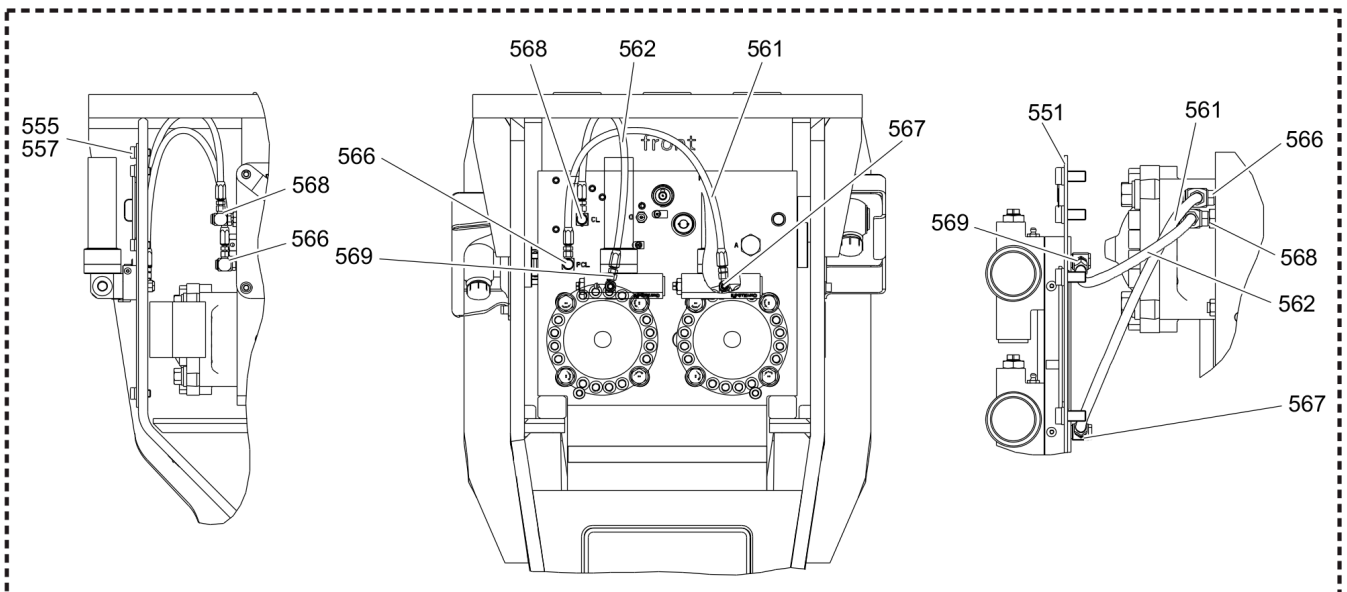
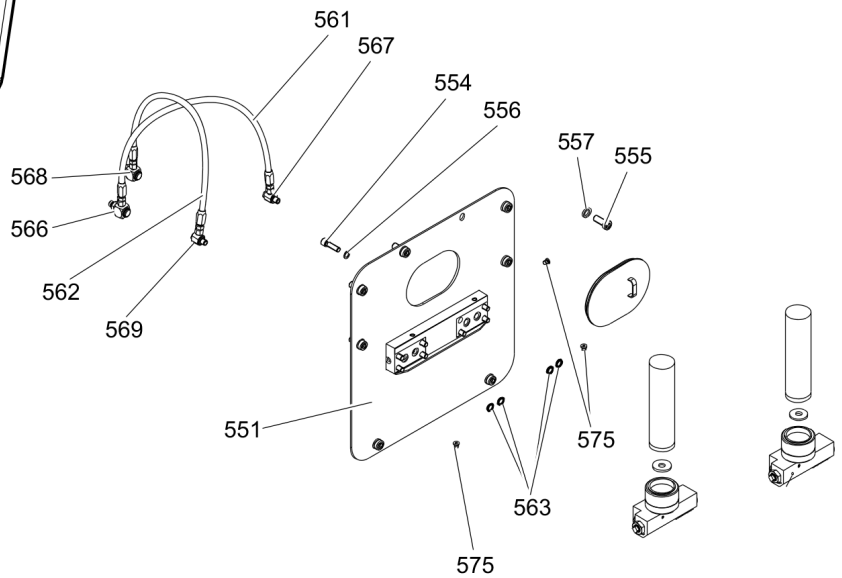
A | Note: When ordering a lower breaker part for DustProtector version it is imperative to order additionally the base for wiper (item 18) and the wiper (item 19).

Mechanical Connecting kit for automatic lubrication system



|     |     |     |     |     |     |
|-----|-----|-----|-----|-----|-----|
| 550 |     |     |     |     |     |
| 551 | 554 | 555 | 556 | 557 | 560 |

|     |     |     |     |     |     |     |
|-----|-----|-----|-----|-----|-----|-----|
| 560 |     |     |     |     |     |     |
| 561 | 562 | 563 | 566 | 567 | 568 | 569 |



Refer to the DocMine web page for most up-to-date information. The printed information might be outdated.

Tue May 03 07:00:22 UTC 2022

| Item         | Part No.   | Name                                            | Qty | L |
|--------------|------------|-------------------------------------------------|-----|---|
| 550(551-560) |            | Connecting kit for automatic lubrication system | 1   |   |
| 551          | 3363118844 | Support                                         | 1   | A |
| 554          | 3360026512 | Allen screw                                     | 8   | B |
| 555          | 3360100796 | Allen screw                                     | 8   |   |
| 556          | 3361850596 | Pair of lock washers                            | 8   |   |
| 557          | 3361333703 | Pair of lock washers                            | 8   |   |
| 560(561-569) | 3363119350 | Connecting kit for automatic lubrication system | 1   | C |
| 561          | 3363083877 | Hydraulic hose                                  | 1   | D |
| 562          | 3363087583 | Hydraulic hose                                  | 1   | E |
| 563          | 3362267584 | Seal                                            | 4   |   |
| 566          | 3363087185 | Fitting                                         | 1   | B |
| 567          | 3363066234 | Fitting                                         | 1   | B |
| 568          | 3363087186 | Fitting                                         | 1   | B |
| 569          | 3363066233 | Fitting                                         | 1   | B |
| 575          | 3360107879 | Plug                                            | 3   |   |

Comments for Page: Connecting kit for automatic lubrication system

(L)OCAL REMARKS

A | with item 575

B | secure with Loctite 243

C | without fastening elements

D | Oil line

secure with Loctite 243

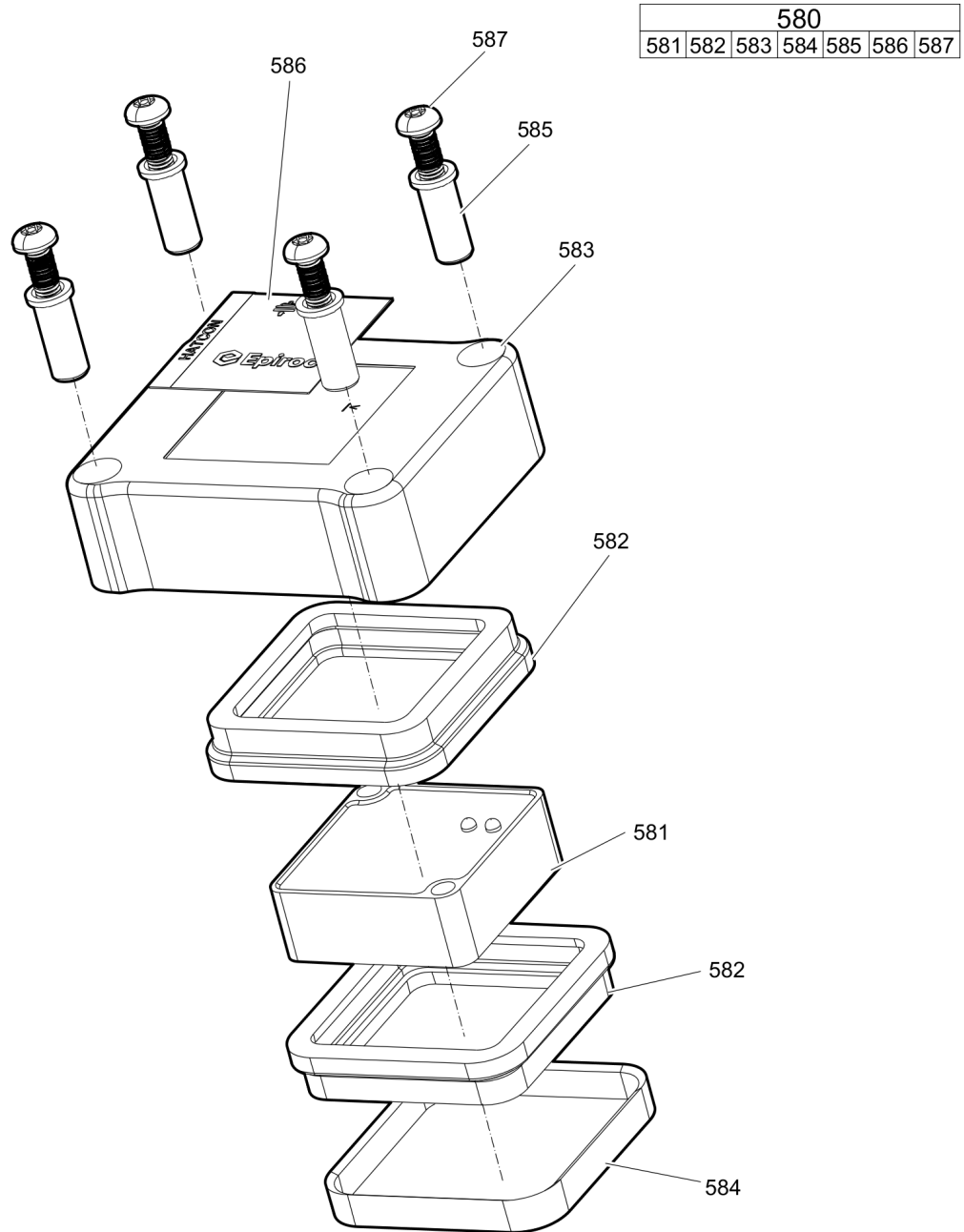
Route the hydraulic hoses as shown on the drawing. It must be ensured that the hydraulic hoses can move freely and are not in contact to any point.

E | Grease line

secure with Loctite 243

Route the hydraulic hoses as shown on the drawing. It must be ensured that the hydraulic hoses can move freely and are not in contact to any point.

Mechanical HATCON



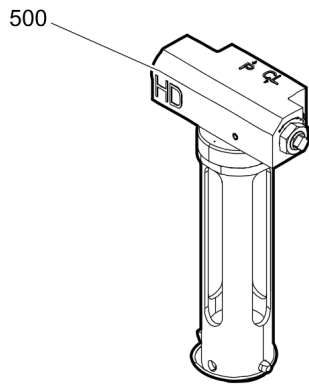
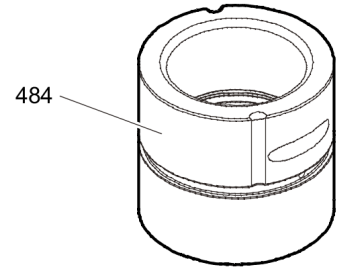
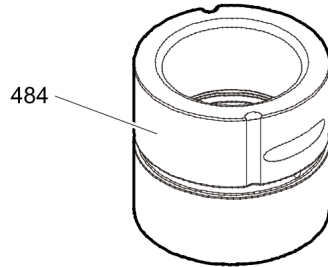
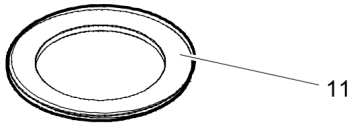


| Item         | Part No.   | Name                   | Qty | L |
|--------------|------------|------------------------|-----|---|
| 580(581-587) |            | HATCON                 | 1   | A |
| 581          |            | Tracking module HATCON | 1   |   |
| 582          | 3315439130 | Damper HATCON          | 2   |   |
| 583          | 3315439110 | Housing type 1 HATCON  | 1   |   |
| 584          | 3315439140 | Lock ring HATCON       | 1   |   |
| 585          | 3315439120 | Sleeve HATCON          | 4   |   |
| 586          | 3315439100 | Product label HATCON   | 1   |   |
| 587          | 3315442600 | Screw HATCON           | 4   |   |

Comments for Page: HATCON

A | part number see chapter "Optional equipment"

Mechanical Optional parts



| Item | Part No.   | Name                            | Qty | L |
|------|------------|---------------------------------|-----|---|
| 11   | 3363035641 | Floating ring (steel)           | 1   |   |
| 484  | 3363088657 | Wear bush (steel)               | 1   |   |
| 484  | 3363088513 | Wear bush (bronze)              | 1   |   |
| 500  | 3363117931 | Automatic lubrication system HD | 2   |   |

Mechanical Tightening torques

NO EXPLODED VIEW  
AVAILABLE  
FOR THIS BOM

| Item | Part No. | Name                                   | Qty | L |
|------|----------|----------------------------------------|-----|---|
| 34   | -        | Allen screw - 200 Nm (148 ft lbf)      | -   | A |
| 36   | -        | Allen screw - 85 Nm (63 ft lbf)        | -   | B |
| 44   | -        | Allen screw - 85 Nm (63 ft lbf)        | -   | B |
| 104  | -        | Allen screw - 380 Nm (280 ft lbf)      | -   | C |
| 107  | -        | Threaded plug - 300 Nm (221 ft lbf)    | -   | D |
| 110  | -        | Threaded plug - 300 Nm (221 ft lbf)    | -   | E |
| 130  | -        | Non-return valve - 200 Nm (148 ft lbf) | -   | F |
| 139  | -        | Allen screw - 80 Nm (59 ft lbf)        | -   | B |
| 161  | -        | Fastening screw -                      | -   | G |
| 175  | -        | Allen screw - 80 Nm (59 ft lbf)        | -   | B |
| 181  | -        | Filling valve - 130 Nm (96 ft lbf)     | -   | H |
| 182  | -        | Threaded plug - 20 Nm (15 ft lbf)      | -   | I |
| 191  | -        | Tensioning bolt -                      | -   | J |
| 195  | -        | Valve - 250 Nm (184 ft lbf)            | -   | Q |
| 554  | -        | Allen screw - 85 Nm (63 ft lbf)        | -   | B |
| 555  | -        | Allen screw - 200 Nm (148 ft lbf)      | -   | A |
| 561  | -        | Hydraulic hose - 42 Nm 31 ft lbf)      | -   | K |
| 562  | -        | Hydraulic hose - 16 Nm (12 ft lbf)     | -   | L |
| 566  | -        | Fitting - 60 Nm (44 ft lbf)            | -   | M |
| 567  | -        | Fitting - 55 Nm (41 ft lbf)            | -   | N |
| 568  | -        | Fitting - 50 Nm (37 ft lbf)            | -   | O |
| 569  | -        | Fitting - 45 Nm (33 ft lbf)            | -   | P |
| 587  | -        | Screw HATCON - 22 Nm (16 ft lbf)       | -   | R |

Comments for Page: Tightening torques

(L)OCAL REMARKS

A | Allen key size 14

B | Allen key size 10

C | Allen key size 17

D | Allen key size 22

E | Socket spanner size 24

F | Socket spanner size 41

G | Socket spanner size 30

1. Treat the threads and threaded inserts for the fastening screws with an Anti-Seize agent.
2. Treat the surfaces between the screw head, washer, and HP-accumulator cover with Anti-Seize.
3. Place on the HP-accumulator, and tighten the fastening screws by hand in a crosswise fashion.
4. Pretighten the fastening screws to 80 Nm (59 ft lbf), proceeding in a crosswise fashion,

Refer to the DocMine web page for most up-to-date information. The printed information might be outdated.

Tue May 03 07:00:28 UTC 2022

5. then tighten each screw through 30° in a crosswise fashion,
6. finally tighten each screw again through 60° in a crosswise fashion.

H | Socket spanner size 22

I | Allen key size 5

J | Torque wrench or Power wrench size 65

1. Pretighten the tensioning bolts to 500 Nm (369 ft lbf), proceeding in a crosswise fashion,
2. then tighten each tensioning bolt through 180° (3 sides of hexagonal head) in a crosswise fashion,
3. then tighten each tensioning bolt again through 180° (3 sides of hexagonal head) in a crosswise fashion.
4. finally loose each tensioning bolt through -15° (1/4 side of hexagonal head) in a crosswise fashion.

K | Open-ended wrench size 19

L | Open-ended wrench size 17

M | Open-ended wrench size 19, 22, 27

N | Open-ended wrench size 19, 22

O | Open-ended wrench size 17, 22, 27

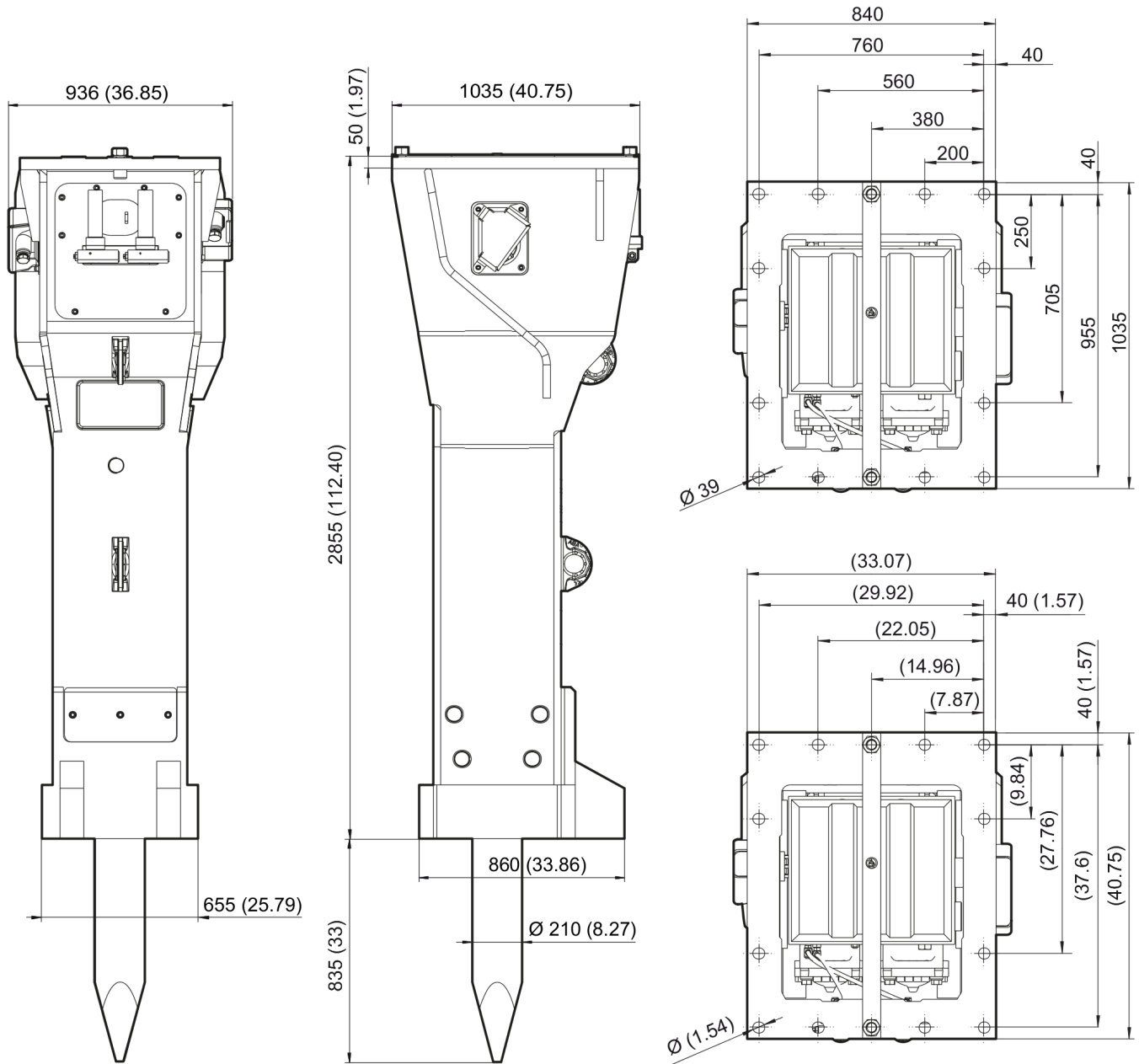
P | Open-ended wrench size 17, 19, 22

Q | Allen key size 24

R | Security bit HATCON

This page intentionally left blank

Mechanical Dimensions HB 7000

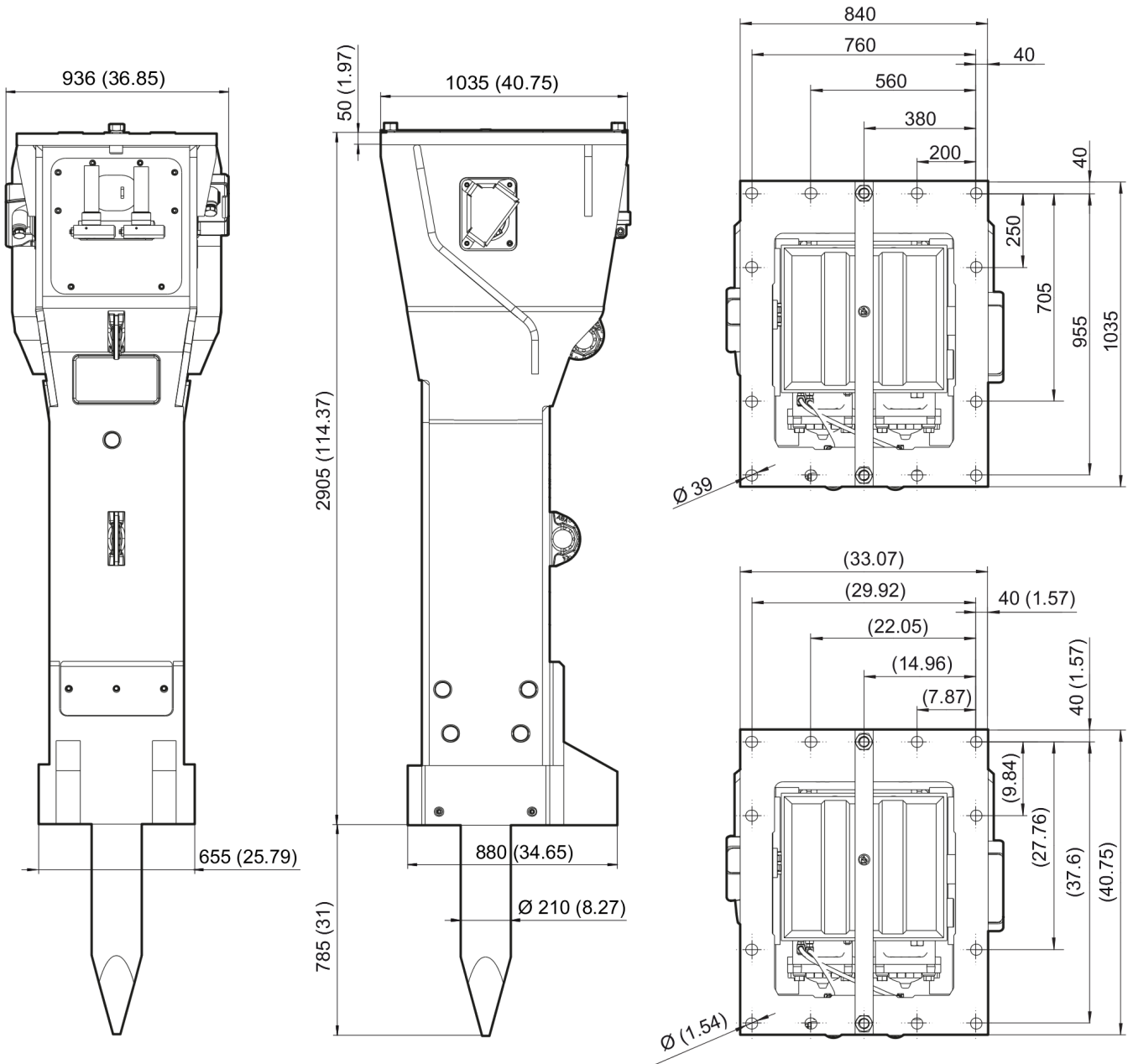


Refer to the DocMine web page for most up-to-date information. The printed information might be outdated.  
Tue May 03 07:00:28 UTC 2022



This page intentionally left blank

Mechanical Dimensions HB 7000 DP



This page intentionally left blank

Options / accessories Hydraulic hoses

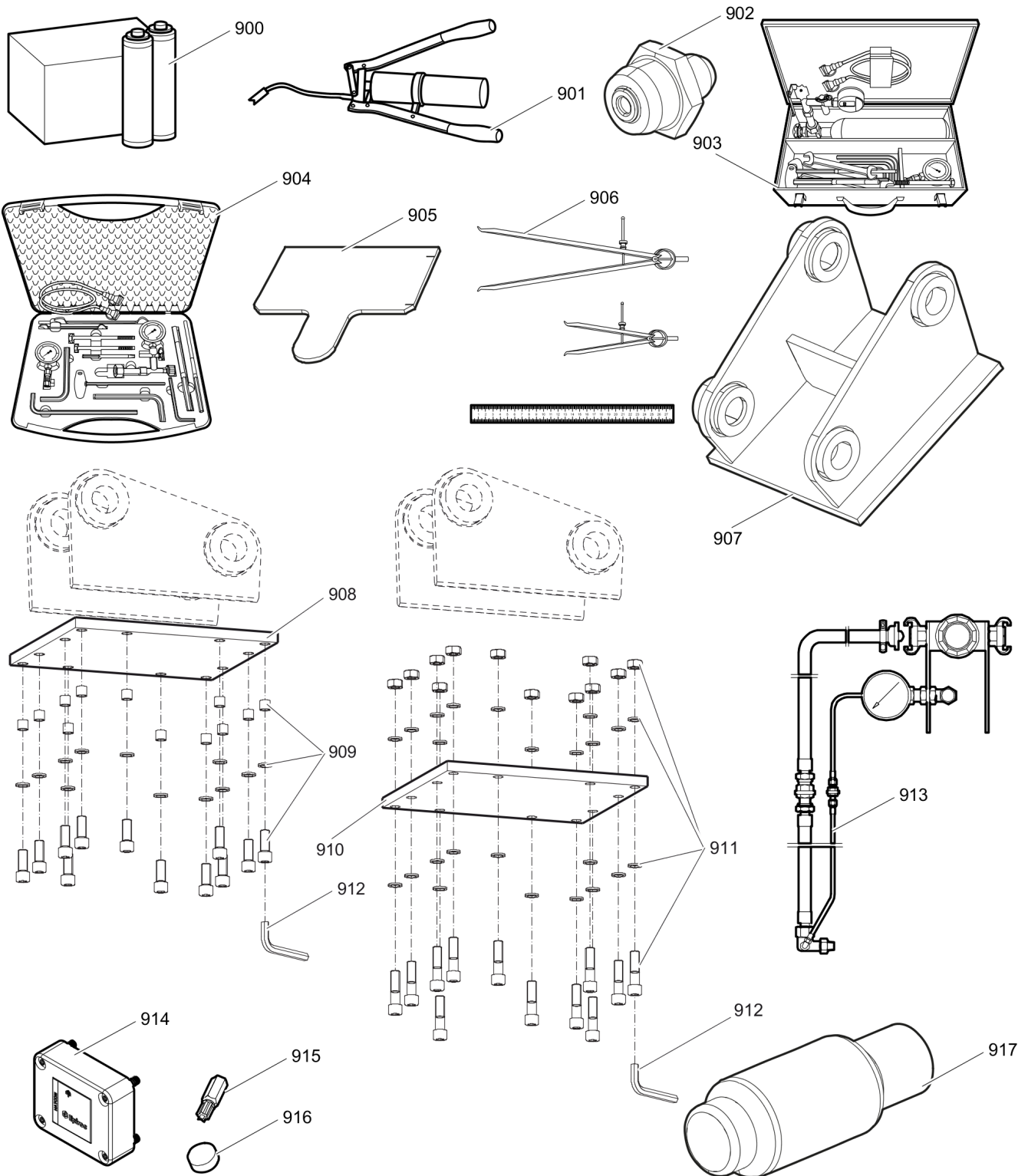
NO EXPLODED VIEW  
AVAILABLE  
FOR THIS BOM

| Item | Part No.   | Name                                                                             | Qty | L |
|------|------------|----------------------------------------------------------------------------------|-----|---|
| -    | 3361853860 | Hydraulic hose, I.D. 32 (1 1/4"), both ends JIC 1 5/8", length 2800 mm (110 in.) | 1   |   |
| -    | 3363083563 | Hydraulic hose, I.D. 40 (1 1/2"), both ends JIC 1 7/8", length 2800 mm (110 in.) | 1   | A |
| -    | 3361853861 | Hydraulic hose, I.D. 32 (1 1/4"), both ends JIC 1 5/8", length 3500 mm (138 in.) | 1   |   |
| -    | 3363083562 | Hydraulic hose, I.D. 40 (1 1/2"), both ends JIC 1 7/8", length 3500 mm (138 in.) | 1   | A |

Comments for Page: Hydraulic hoses

A | Return line

Options / accessories Optional equipment



Refer to the DocMine web page for most up-to-date information. The printed information might be outdated.  
Tue May 03 07:00:30 UTC 2022

| Item | Part No.   | Name                                                                                            | Qty | L |
|------|------------|-------------------------------------------------------------------------------------------------|-----|---|
| 900  | 3363122356 | Bio chisel paste cartridge, 12 x 550 g (1.2 lbs)                                                | 1   |   |
| 900  | 3363091200 | Chisel paste cartridge, 12 x 500 g (1.1 lbs)                                                    | 1   |   |
| 901  | 3363034567 | GREASE PUMP                                                                                     | 1   |   |
| 902  | 3360433774 | Grease nipple                                                                                   | 1   |   |
| 903  | 3363089845 | Maintenance and charging box with nitrogen cylinder, 5 l, 1.1 gal (1.32 US gal)                 | 1   |   |
| 904  | 3363094940 | Maintenance and charging box without nitrogen cylinder                                          | 1   |   |
| 905  | 3362235295 | Test gauge lower wear bush                                                                      | 1   |   |
| 906  | 3363094952 | Inside callipers upper wear bush                                                                | 1   |   |
| 907  |            | Adapter plate matching the carrier. Consult the authorized Customer Center/Dealer in your area. | 1   |   |
| 908  | 3363093497 | Base plate with threaded inserts                                                                | 1   |   |
| 909  | 3363087305 | Bolt kit                                                                                        | 1   |   |
| 910  | 3363102875 | Base plate with through borings                                                                 | 1   |   |
| 911  | 3363094577 | Bolt kit                                                                                        | 1   |   |
| 912  | 3360478949 | Allen key (27 mm)                                                                               | 1   |   |
| 913  | 3363103077 | Adapter kit for underwater applications                                                         | 1   |   |
| 914  | 3315442500 | HATCON KIT 1 2G/3G                                                                              | 1   | A |
| 915  | 3315439105 | Security bit HATCON                                                                             | 1   |   |
| 916  | 3315439106 | Magnet HATCON                                                                                   | 1   |   |
| 917  | 3363092991 | Piston retainer                                                                                 | 1   | B |

Comments for Page: Optional equipment

A | with item 915 and 916

Hydraulic breakers are factory equipped with threads for attaching Retrofit kit HATCON

from s/n DEQ192196 - (HB 7000 with lower wear bush steel)

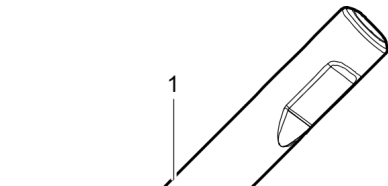
from s/n DEQ192015 - (HB 7000 with lower wear bush bronze)

from s/n DEQ192196 - (HB 7000 DP with lower wear bush steel)

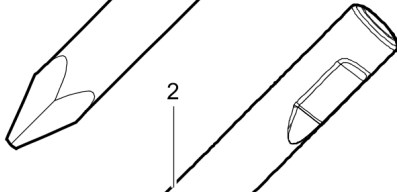
from s/n DEQ191961 - (HB 7000 DP with lower wear bush bronze)

B | Consult the authorized Customer Center/Dealer in your area.

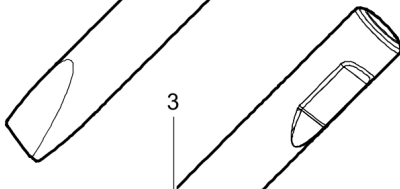
Options / accessories Working tools ClassicLine HB 7000



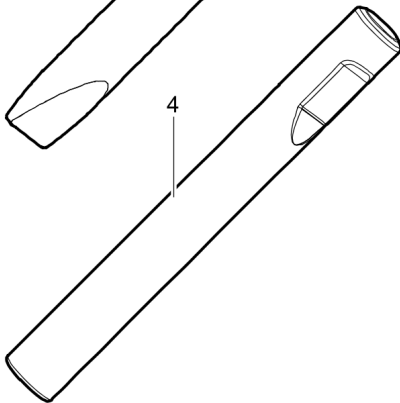
Ø=210 mm, L=835 mm, LT=1700 mm, Wt=400.0 kg  
 Ø=8.27 inch, L=33 inch, LT=66.93 inch, Wt=881.8 lb



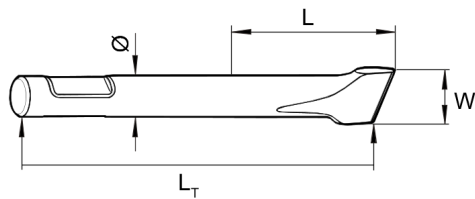
Ø=210 mm, W=210 mm, L=835 mm, LT=1700 mm, Wt=415.0 kg  
 Ø=8.27 inch, W=8.27 inch, L=33 inch, LT=66.93 inch, Wt=914.9 lb



Ø=210 mm, W=210 mm, L=835 mm, LT=1700 mm, Wt=415.0 kg  
 Ø=8.27 inch, W=8.27 inch, L=33 inch, LT=66.93 inch, Wt=914.9 lb



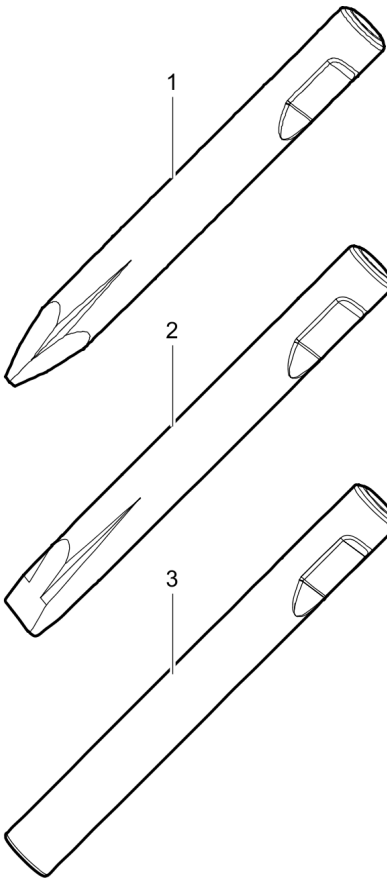
Ø=210 mm, L=835 mm, LT=1700 mm, Wt=432.0 kg  
 Ø=8.27 inch, L=33 inch, LT=66.93 inch, Wt=952.4 lb





| Item | Part No.   | Name              | Qty | L |
|------|------------|-------------------|-----|---|
| 1    | 3363119563 | Moil point        | 1   |   |
| 2    | 3363119564 | Chisel (cross)    | 1   |   |
| 3    | 3363119565 | Chisel (parallel) | 1   |   |
| 4    | 3363119566 | Blunt tool        | 1   |   |

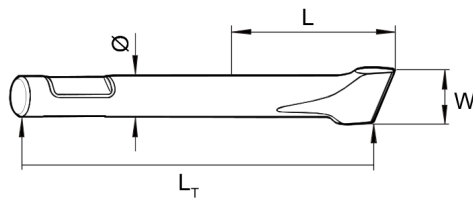
## Options / accessories Working tools ProLine HB 7000



Ø=210 mm, L=935 mm, LT=1800 mm, Wt=417.0 kg  
 Ø=8.27 inch, L=37 inch, LT=70.87 inch, Wt=919.3 lb

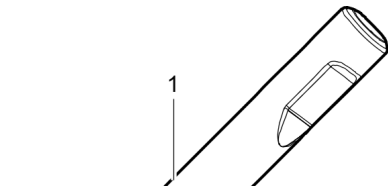
Ø=210 mm, W=210 mm, L=935 mm, LT=1800 mm, Wt=433.0 kg  
 Ø=8.27 inch, W=8.27 inch, L=37 inch, LT=70.87 inch, Wt=954.6 lb

Ø=210 mm, L=935 mm, LT=1800 mm, Wt=470.0 kg  
 Ø=8.27 inch, L=37 inch, LT=70.87 inch, Wt=1036.2 lb

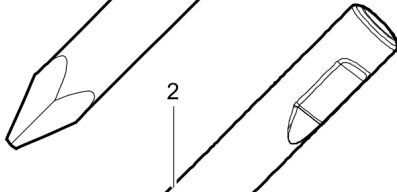


| Item | Part No.   | Name           | Qty | L |
|------|------------|----------------|-----|---|
| 1    | 3363118329 | Moil point     | 1   |   |
| 2    | 3363118333 | Chisel (cross) | 1   |   |
| 3    | 3363091425 | Blunt tool     | 1   |   |

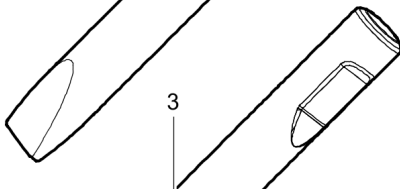
Options / accessories Working tools ClassicLine HB 7000 DP



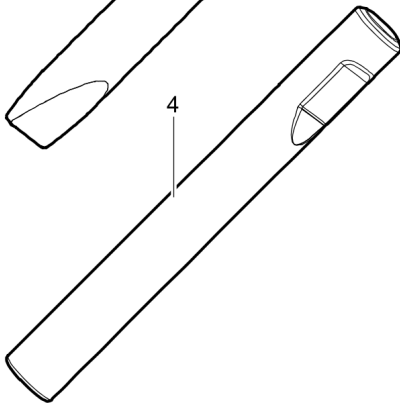
Ø=210 mm, L=785 mm, LT=1700 mm, Wt=400.0 kg  
 Ø=8.27 inch, L=31 inch, LT=66.93 inch, Wt=881.8 lb



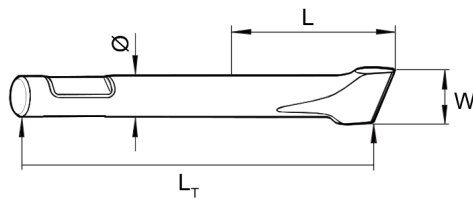
Ø=210 mm, W=210 mm, L=785 mm, LT=1700 mm, Wt=415.0 kg  
 Ø=8.27 inch, W=8.27 inch, L=31 inch, LT=66.93 inch, Wt=914.9 lb



Ø=210 mm, W=210 mm, L=785 mm, LT=1700 mm, Wt=415.0 kg  
 Ø=8.27 inch, W=8.27 inch, L=31 inch, LT=66.93 inch, Wt=914.9 lb

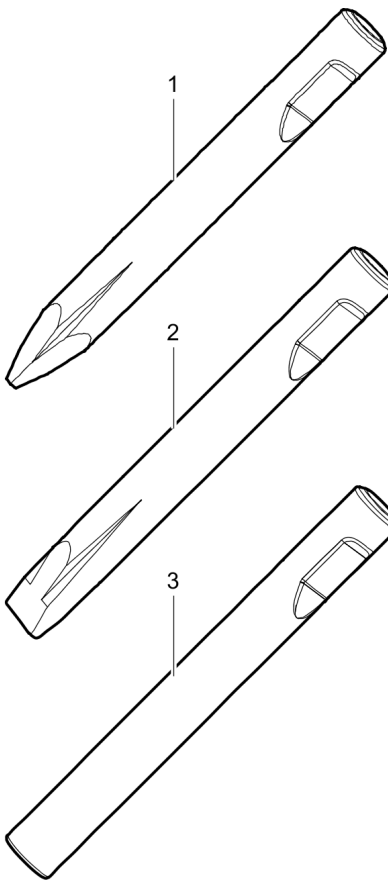


Ø=210 mm, L=785 mm, LT=1700 mm, Wt=432.0 kg  
 Ø=8.27 inch, L=31 inch, LT=66.93 inch, Wt=952.4 lb



| Item | Part No.   | Name              | Qty | L |
|------|------------|-------------------|-----|---|
| 1    | 3363119563 | Moil point        | 1   |   |
| 2    | 3363119564 | Chisel (cross)    | 1   |   |
| 3    | 3363119565 | Chisel (parallel) | 1   |   |
| 4    | 3363119566 | Blunt tool        | 1   |   |

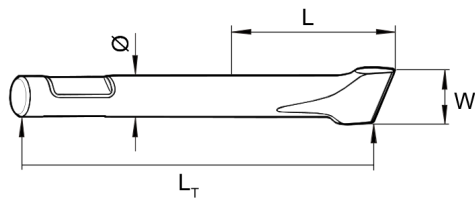
Options / accessories Working tools ProLine HB 7000 DP



Ø=210 mm, L=885 mm, LT=1800 mm, Wt=417.0 kg  
 Ø=8.27 inch, L=35 inch, LT=70.87 inch, Wt=919.3 lb

Ø=210 mm, W=210 mm, L=885 mm, LT=1800 mm, Wt=433.0 kg  
 Ø=8.27 inch, W=8.27 inch, L=35 inch, LT=70.87 inch, Wt=954.6 lb

Ø=210 mm, L=885 mm, LT=1800 mm, Wt=470.0 kg  
 Ø=8.27 inch, L=35 inch, LT=70.87 inch, Wt=1036.2 lb



| Item | Part No.   | Name           | Qty | L |
|------|------------|----------------|-----|---|
| 1    | 3363118329 | Moil point     | 1   |   |
| 2    | 3363118333 | Chisel (cross) | 1   |   |
| 3    | 3363091425 | Blunt tool     | 1   |   |

Any unauthorized use or copying of the contents or any part thereof is prohibited.  
This applies in particular to trademarks, model denominations, part numbers, and drawings.