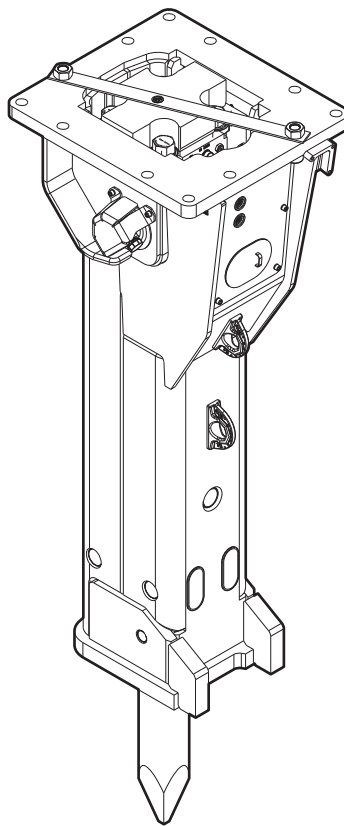


EC 165T

Spare parts list Hydraulic breakers

EC 165T s/n DEQ180185 -



General information

This spare parts list applies to the following:

Part number	Description
3363120578	Hydraulic breaker EC 165T
3363124836	Hydraulic breaker EC 165T with HATCON

Use only authorized parts. Any damage or malfunction caused by the use of unauthorized parts is not covered by Warranty or Product Liability. Any unauthorized use or copying of the contents or any part thereof is prohibited. This applies in particular to trademarks, model denominations, part numbers, and drawings.

Instructions for use

This spare parts list contains no safety regulations and is merely intended to assist in the ordering of spare parts.

For information about operating, servicing, or repairing, the relevant Safety and operating instructions must be consulted at all costs.

Please observe the safety instructions listed in the relevant Safety and operating instructions!

Instructions for ordering

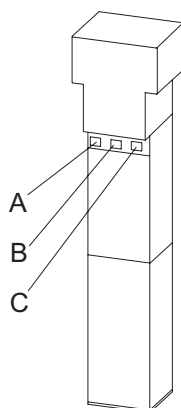
It is essential to indicate the serial number of the hydraulic attachment when ordering spare parts!

Please note the full identification number of your hydraulic attachment.

The code can be found on the cylinder.

Determine the quantity of individual parts which are required and need to be ordered. The order must indicate the following details:

- full identification code of the hydraulic attachment
- required quantity
- part number
- description



A. Cylinder number

B. Type

C. Serial number

Service, repair and wear part kits

Label kit 1
Kit list 3

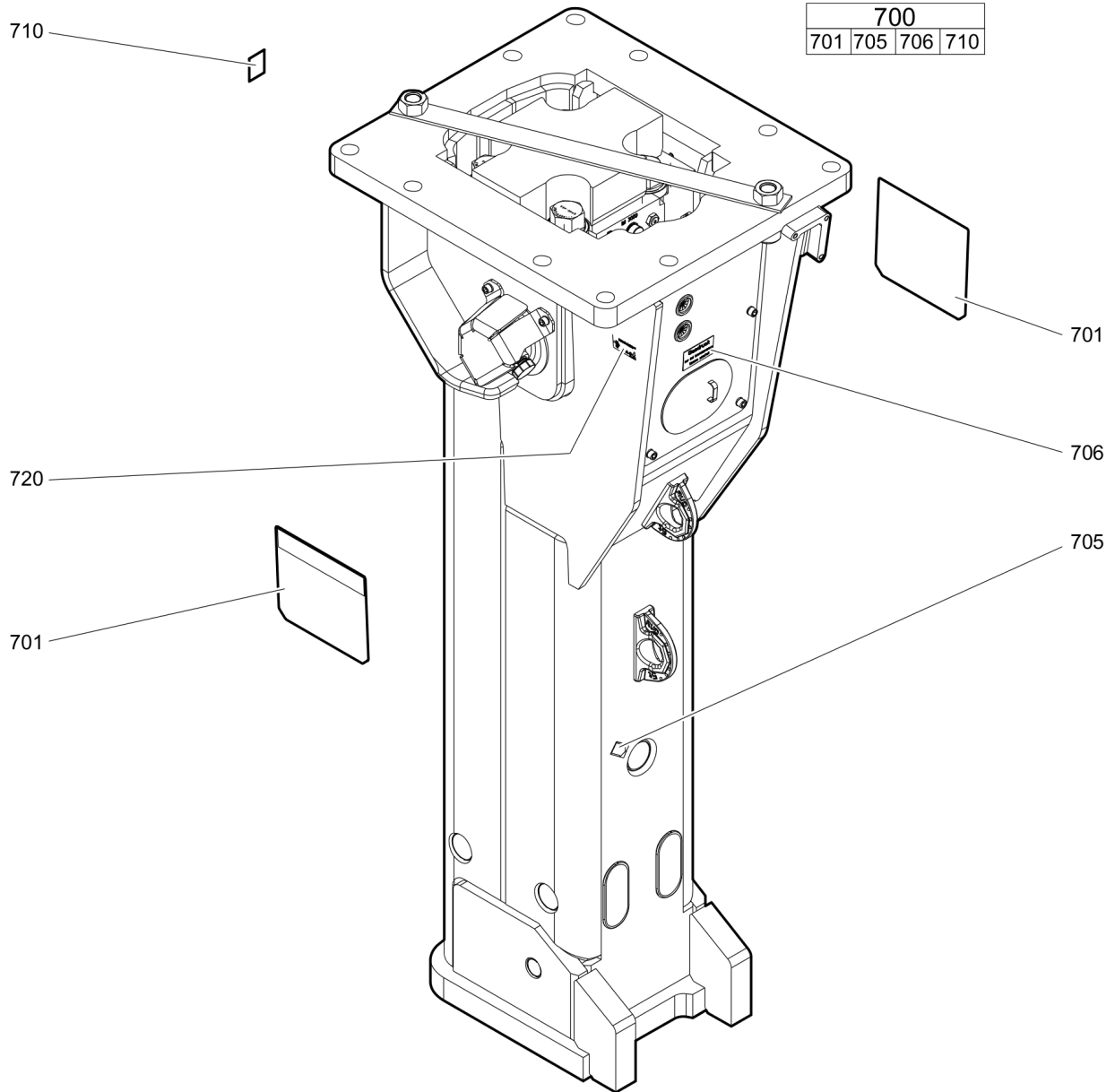
Mechanical

Hydraulic breaker 5
Percussion unit part 1: cylinder cover 7
Percussion unit part 2: cylinder 10
Percussion unit part 3: lower breaker part 13
HATCON 15
Tightening torques 17
Dimensions 19

Options / accessories

Hydraulic hoses 20
Optional equipment 23
Working tools ClassicLine 25
Working tools ProLine 27

Service, repair and wear part kits Label kit



Item	Part No.	Name	Qty	L
700(701-710)	3363120772	Label kit	1	
701		Product label "EC 165 Epiroc"	2	
705		Label - Lubricating symbol	1	
706		Label - Gas pressure	2	
710		Sound power label	1	
720		Name plate - Consult the authorized Customer Center/Dealer in your area.	1	

Service, repair and wear part kits Kit list

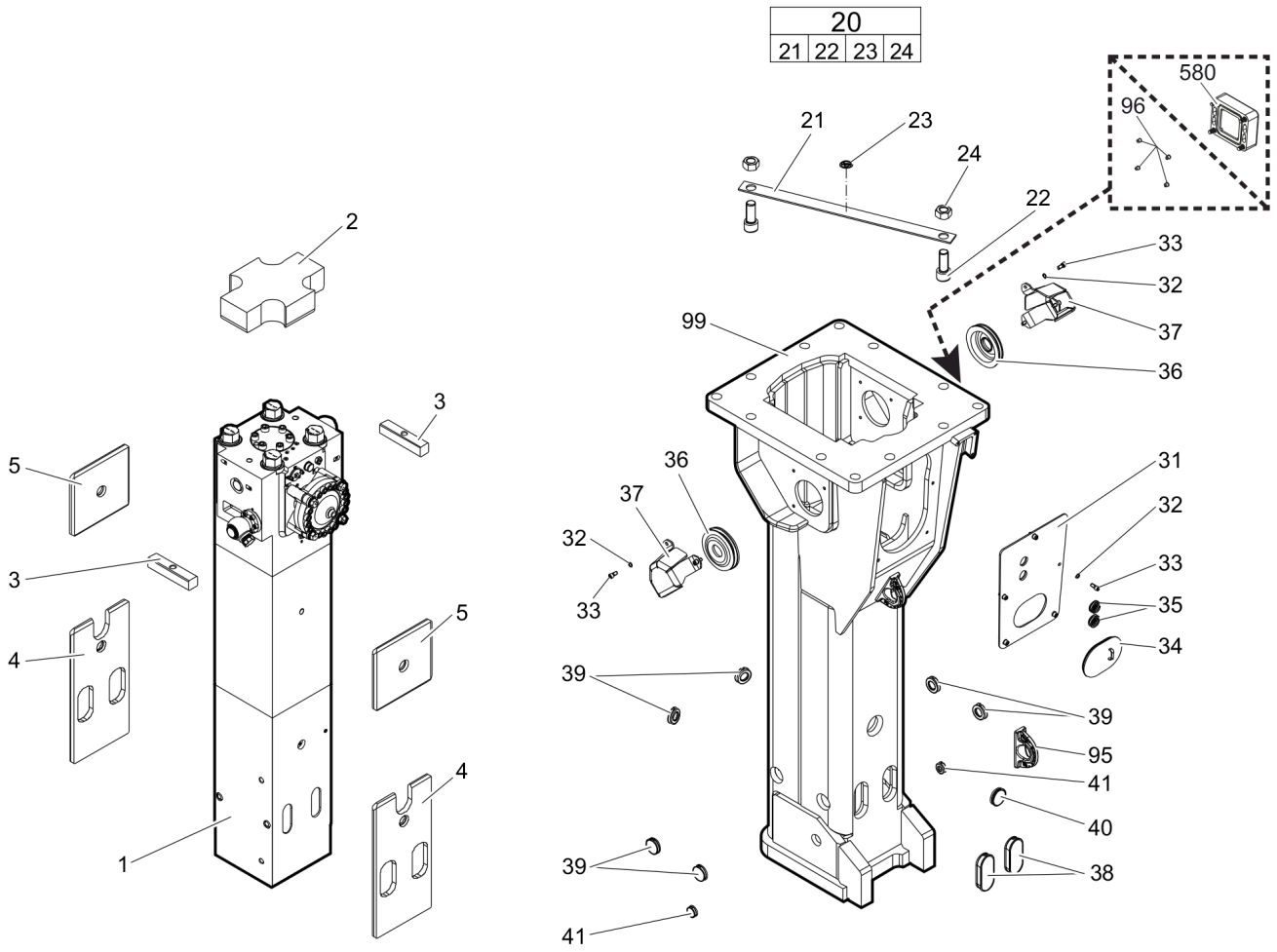
NO EXPLODED VIEW
AVAILABLE
FOR THIS BOM

Item	Part No.	Name	Qty	L
KIT	3363122838	Seal kit	1	
103	3360314375	O-ring	1	
108	3360314364	O-ring	1	
109	3360328046	Back-up ring	1	
111	3361031845	O-ring	1	
112	3363087482	Back-up ring	1	
116	3360314373	O-ring	2	
121	3363112659	O-ring	1	
122	3360314656	O-ring	1	
145(146-147)	3361850422	Seal kit	2	
146		O-ring	2	
147		Back-up ring	2	
164	3360478171	O-ring	1	
182	3360478426	Threaded plug	1	
183	3360175125	O-ring	1	
201	3363098136	Seal	1	
202	3361333017	Seal	1	
290(291-292)	3363083591	Seal kit	1	
291		Seal	1	
292		Back-up ring	1	
302	3362267585	Seal	6	
303	3362267281	Seal	8	
304	3363122808	Seal	2	
306	3363083670	Wiper	1	
401	3362267586	Seal	1	
KIT	3363103487	Fastening screw kit	1	
107	3363113101	Fastening screw	4	
106	3363100049	Washer	4	
166	3361031546	Threaded insert	4	
KIT	3363089850	Accumulator repair kit	1	
-	3361329022	Diaphragm	1	
-	3360332259	Filling screw	1	
-	3360314460	O-ring	1	
-	3361335025	Protective cap	1	
-	3360314364	O-ring	1	
-	3360328046	Back-up ring	1	

Refer to the DocMine web page for most up-to-date information. The printed information might be outdated.

Fri Mar 04 06:21:26 UTC 2022

Mechanical Hydraulic breaker



Item	Part No.	Name	Qty	L
1		Percussion unit	1	A
2	3363105345	Elastic pad	1	
3	3363105817	Shock absorber	2	
4	3363115360	Guide plate	2	
5	3363115361	Guide plate	2	
20(21-24)	3363094826	Transport safety device complete	1	
21		Transport safety device	1	
22	3360114151	Allen screw	2	
23	3363091872	Label transport safety device	1	
24	3360103255	Nut	2	
31	3363120170	Cover	1	
32	3361850596	Pair of lock washers	11	
33	3360103750	Allen screw	11	
34	3363092697	Cover	1	
35	3363105987	Plug	2	
36	3363115515	Cover	2	
37	3363121816	Swivel joint cover	2	
38	3363086013	Plug	2	
39	3363111912	Plug	6	
40	3362267893	Plug	1	
41	3363086015	Plug	2	
95	3363111995	Lifting eye	1	B
96	3315439145	Protective plug HATCON	4	C
99	3363120165	Breaker box	1	D
580		HATCON	1	E

Comments for Page: Hydraulic breaker

A | see separate chapter

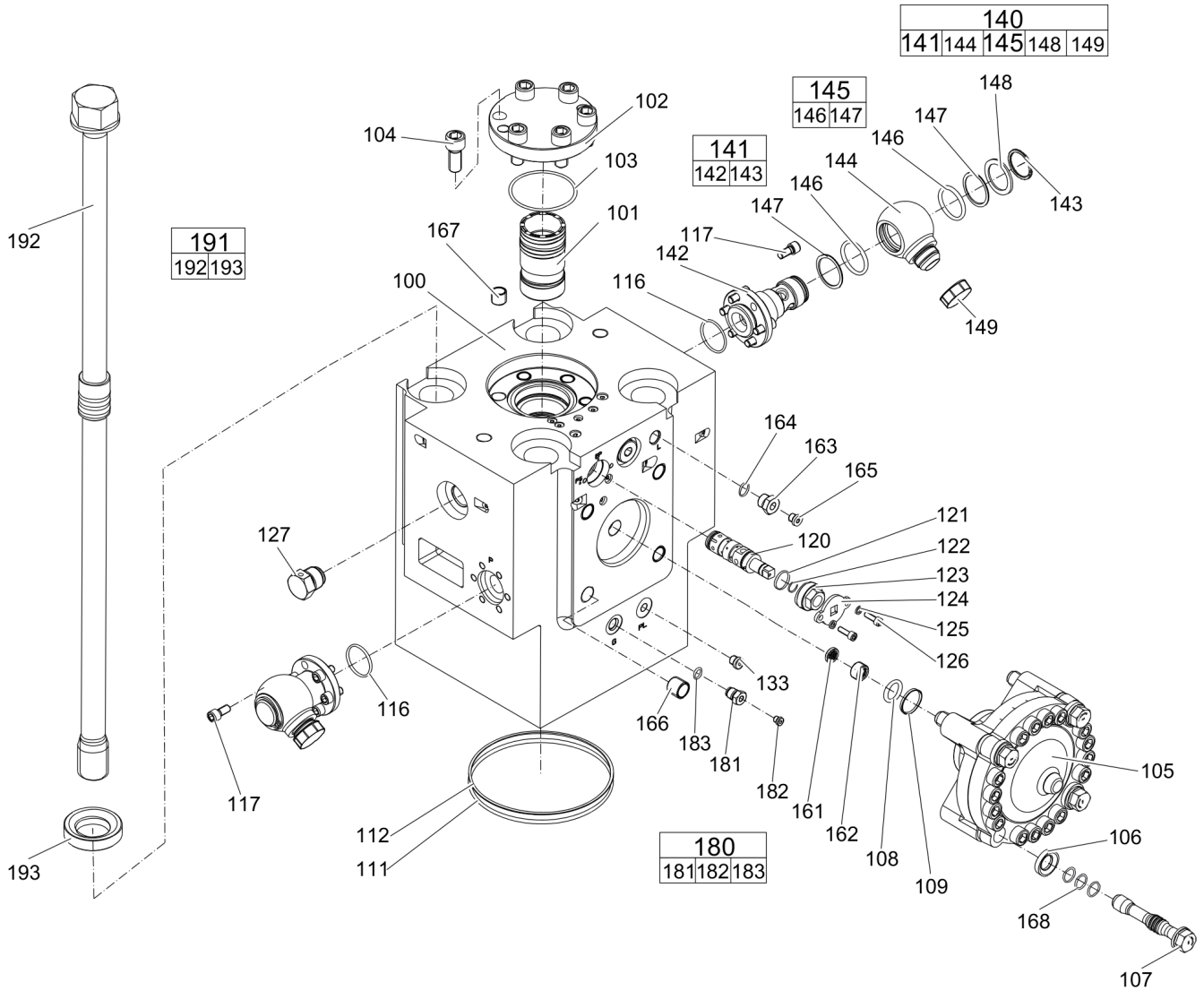
B | professional welding process necessary

C | only for hydraulic breakers without HATCON

D | with item 95 and 96

E | only for hydraulic breakers with HATCON / see separate chapter

Mechanical Percussion unit part 1: cylinder cover



Item	Part No.	Name	Qty	L
100	3363112741	Cylinder cover	1	A
101	3363088569	Main control valve	1	
102	3361331555	Cover	1	
103	3360314375	O-ring	1	
104	3360103776	Allen screw	6	
105	3363094981	HP-accumulator	1	
106	3363100049	Washer	4	
107	3363113101	Fastening screw	4	B
108	3360314364	O-ring	1	
109	3360328046	Back-up ring	1	
111	3361031845	O-ring	1	
112	3363087482	Back-up ring	1	
116	3360314373	O-ring	2	
117	3360103750	Allen screw	12	
120	3363113244	Valve	1	C
121	3363112659	O-ring	1	
122	3360314656	O-ring	1	
123	3363113246	Threaded plug	1	
124	3363119005	Plate	1	
125	3361850743	Pair of lock washers	2	
126	3360103735	Allen screw	2	
127	3361854511	Non-return valve	1	
133	3363066963	Plug, M14 x 1.5 mm	1	
140(141-149)	3363116891	Swivel joint complete	2	
141(142-143)	3363116890	Adapter complete	1	
142		Adapter	1	
143	3363116062	Snapping	1	
144	3361356643	Adapter	1	
145(146-147)	3361850422	Seal kit	1	
146		O-ring	2	
147		Back-up ring	2	
148	3361356645	Disk	1	
149	3361353489	Cap	1	
161	3361844113	Strainer disk	1	
162	3361844115	Threaded plug	1	
163	3361854657	Connecting screw	1	
164	3360478171	O-ring	1	

Refer to the DocMine web page for most up-to-date information. The printed information might be outdated.

Fri Mar 04 06:21:30 UTC 2022

Item	Part No.	Name	Qty	L
165	3360478439	Threaded plug	1	
166	3361031546	Threaded insert	4	
167	3361031529	Threaded insert	6	
168	3363114730	Service kit O-rings	1	D
180(181-183)	3363087286	Filling valve complete	1	
181		Filling valve	1	
182	3360478426	Threaded plug	1	
183	3360175125	O-ring	1	
191(192-193)	3363106421	Tensioning bolt complete	4	
192		Tensioning bolt	1	
193	3363093651	Washer	1	

Comments for Page: Percussion unit part 1: cylinder cover

(L)OCAL REMARKS

A | with item 161 - 167

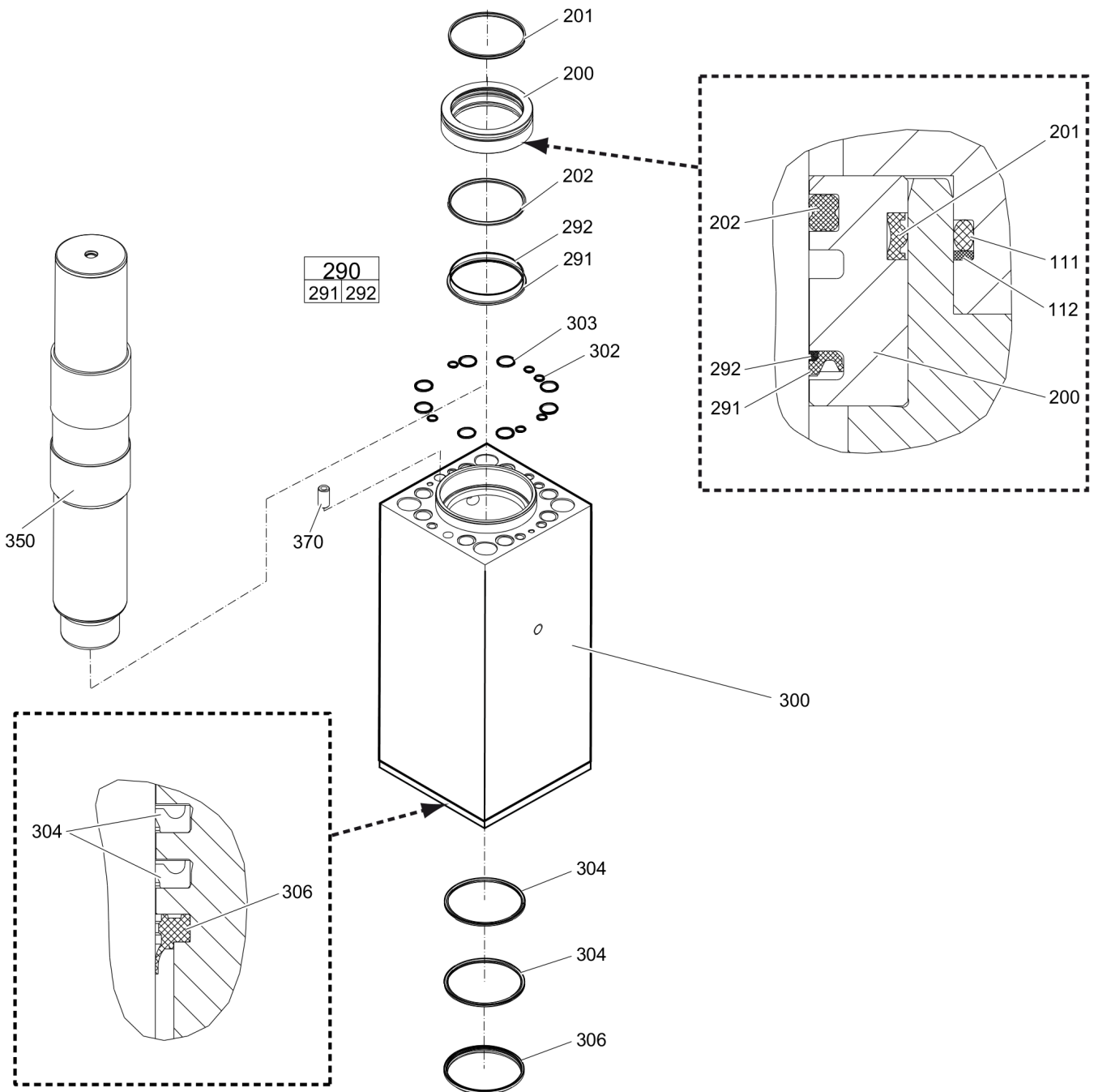
B | each fastening screw with 3 o-rings item 168

C | PowerControl Plus

D | 12 o-rings for all 4 fastening screws item 107

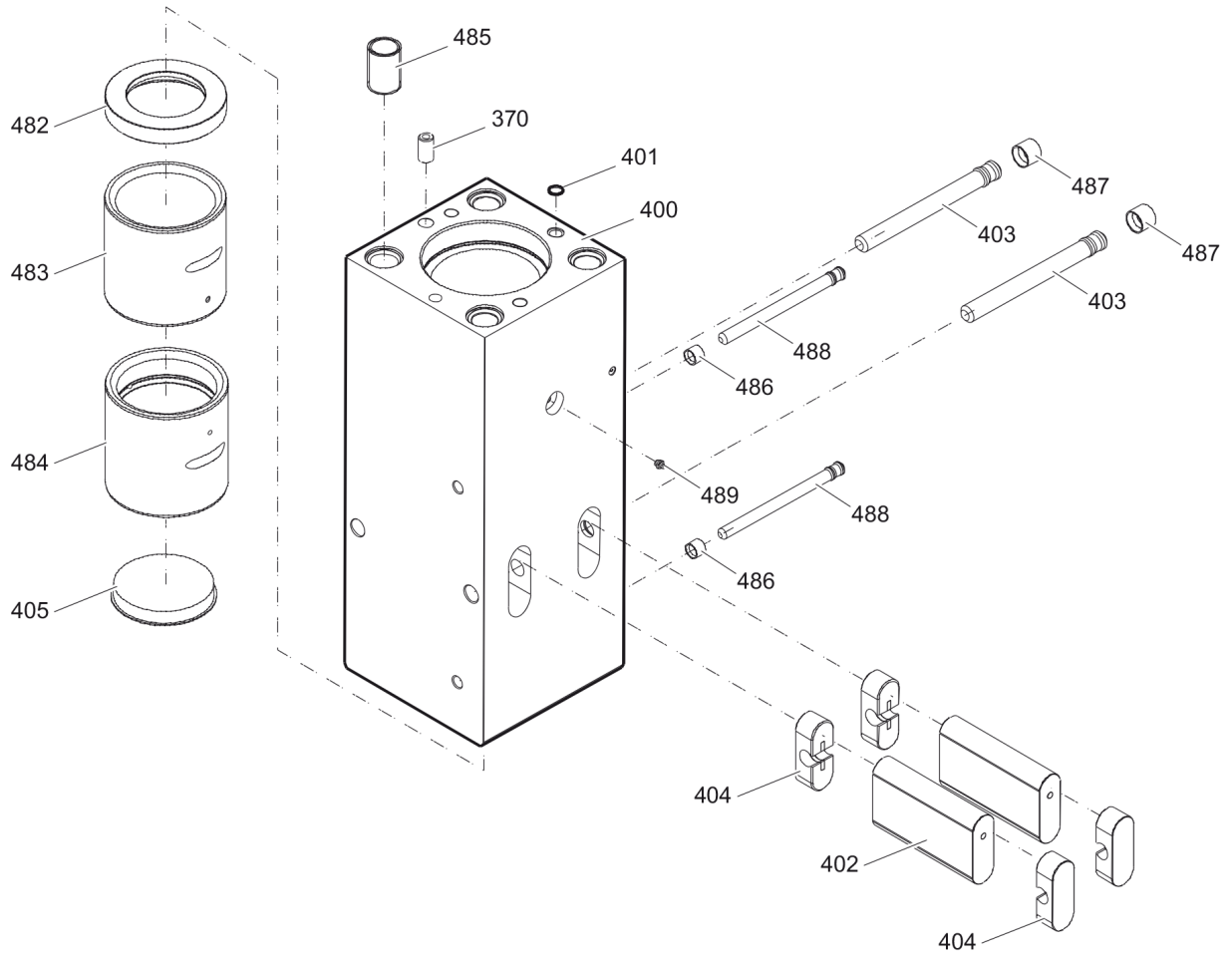
This page intentionally left blank

Mechanical Percussion unit part 2: cylinder



Item	Part No.	Name	Qty	L
200	3363105731	Seal bush	1	
201	3363098136	Seal	1	
202	3361333017	Seal	1	
290(291-292)	3363083591	Seal kit	1	
291		Seal	1	
292		Back-up ring	1	
300	3363112813	Cylinder	1	
302	3362267585	Seal	6	
303	3362267281	Seal	8	
304	3363122808	Seal	2	
306	3363083670	Wiper	1	
350	3361847711	Percussion piston	1	
370	3360921413	Lock pin	1	

Mechanical Percussion unit part 3: lower breaker part



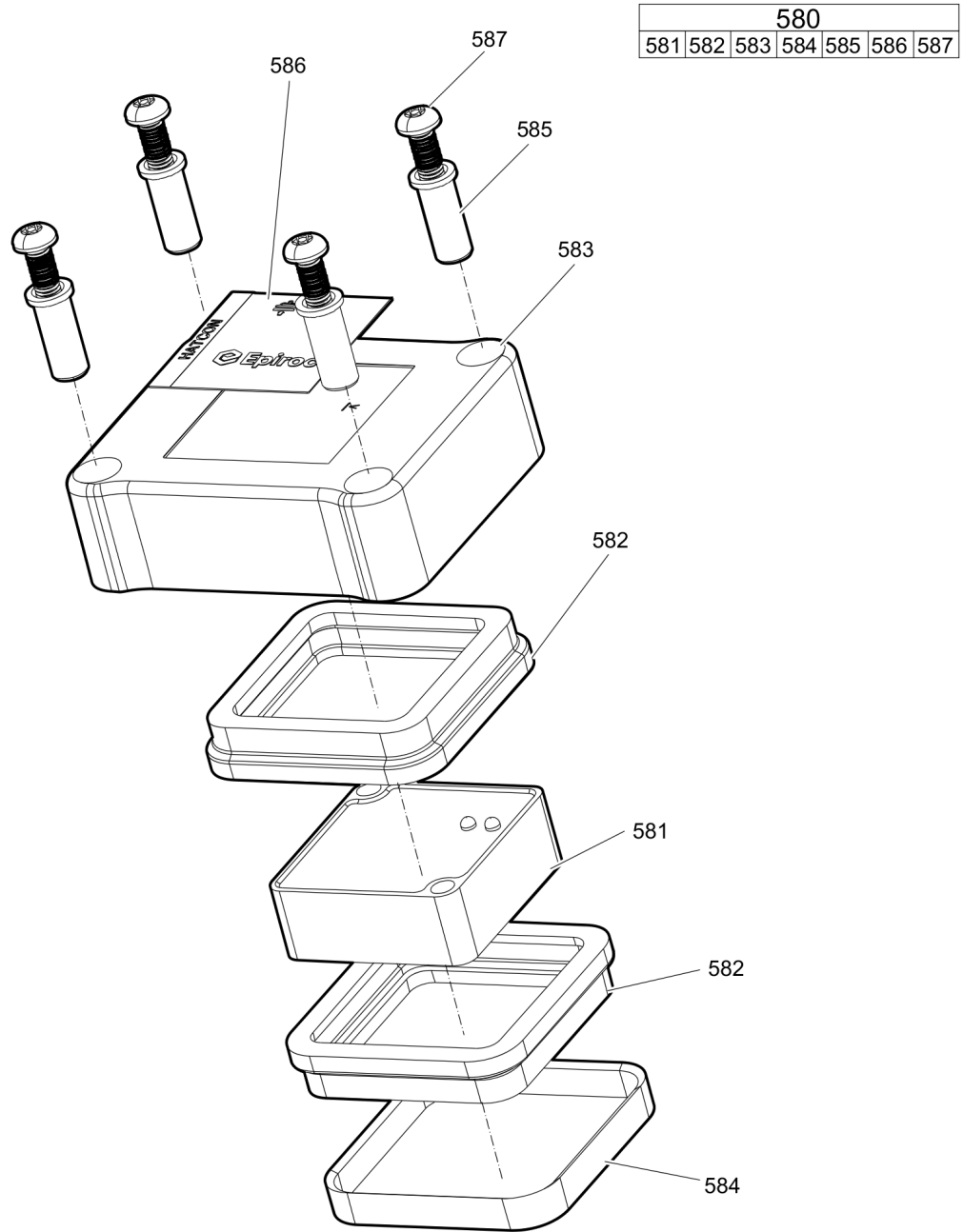
Item	Part No.	Name	Qty	L
370	3360921413	Lock pin	1	
400	3363106448	Lower breaker part	1	A
401	3362267586	Seal	1	
402	3361332227	Retainer bar	2	
403	3362261541	Bolt	2	
404	3362262921	Plug	4	
405	3363091862	Protective cap	1	
482	3363069081	Impact ring	1	
483	3363105727	Wear bush	1	
484	3363104395	Wear bush	1	
485	3363085499	Threaded insert	4	
486	3361854363	Locking bush	2	
487	3362260433	Locking bush	2	
488	3361854347	Bolt	2	
489	3360433774	Grease nipple	1	

Comments for Page: Percussion unit part 3: lower breaker part

(L)OCAL REMARKS

A | with item 482 - 489

Mechanical HATCON



Item	Part No.	Name	Qty	L
580(581-587)		HATCON	1	A
581		Tracking module HATCON	1	
582	3315439130	Damper HATCON	2	
583	3315439110	Housing type 1 HATCON	1	
584	3315439140	Lock ring HATCON	1	
585	3315439120	Sleeve HATCON	4	
586	3315439100	Product label HATCON	1	
587	3315442600	Screw HATCON	4	

Comments for Page: HATCON

A | part number see chapter "Optional equipment"

Mechanical Tightening torques

NO EXPLODED VIEW
AVAILABLE
FOR THIS BOM

Item	Part No.	Name	Qty	L
22	-	Allen screw - 240 Nm (177 ft lbf)	-	A
24	-	Nut - 240 Nm (177 ft lbf)	-	B
33	-	Allen screw - 85 Nm (63 ft lbf)	-	C
104	-	Allen screw - 380 Nm (280 ft lbf)	-	E
107	-	Fastening screw -	-	F
117	-	Allen screw - 80 Nm (59 ft lbf)	-	G
123	-	Threaded plug - 300 Nm (221 ft lbf)	-	H
126	-	Allen screw - 25 Nm (18 ft lbf)	-	I
127	-	Non-return valve - 200 Nm (148 ft lbf)	-	J
181	-	Filling valve - 130 Nm (96 ft lbf)	-	K
182	-	Threaded plug - 20 Nm (15 ft lbf)	-	L
192	-	Tensioning bolt -	-	M
587	-	Screw HATCON - 22 Nm (16 ft lbf)	-	N

Comments for Page: Tightening torques

(L)OCAL REMARKS

A | Allen key size 27

B | Socket spanner size 55

C | Allen key size 10

E | Allen key size 17

F | Allen key size 30

1. Treat the threads of the fastening screws and threaded inserts for the fastening screws with an anti-seize agent.
2. Treat the contact surfaces between the bolt heads, washers, and HP-accumulator cover with an anti-seize agent.
3. Attach the HP-accumulator and tighten the fastening screws by hand in a crosswise fashion.
4. Pre-tighten the fastening screws to 80 Nm (59 ft lbf) crosswise,
5. retighten 30° crosswise,
6. retighten 60° crosswise.

G | Allen key size 10

H | Socket spanner size 30

I | Allen key size 6

J | Socket spanner size 41

K | Socket spanner size 22

L | Allen key size 5

M | Torque wrench or Power wrench size 65

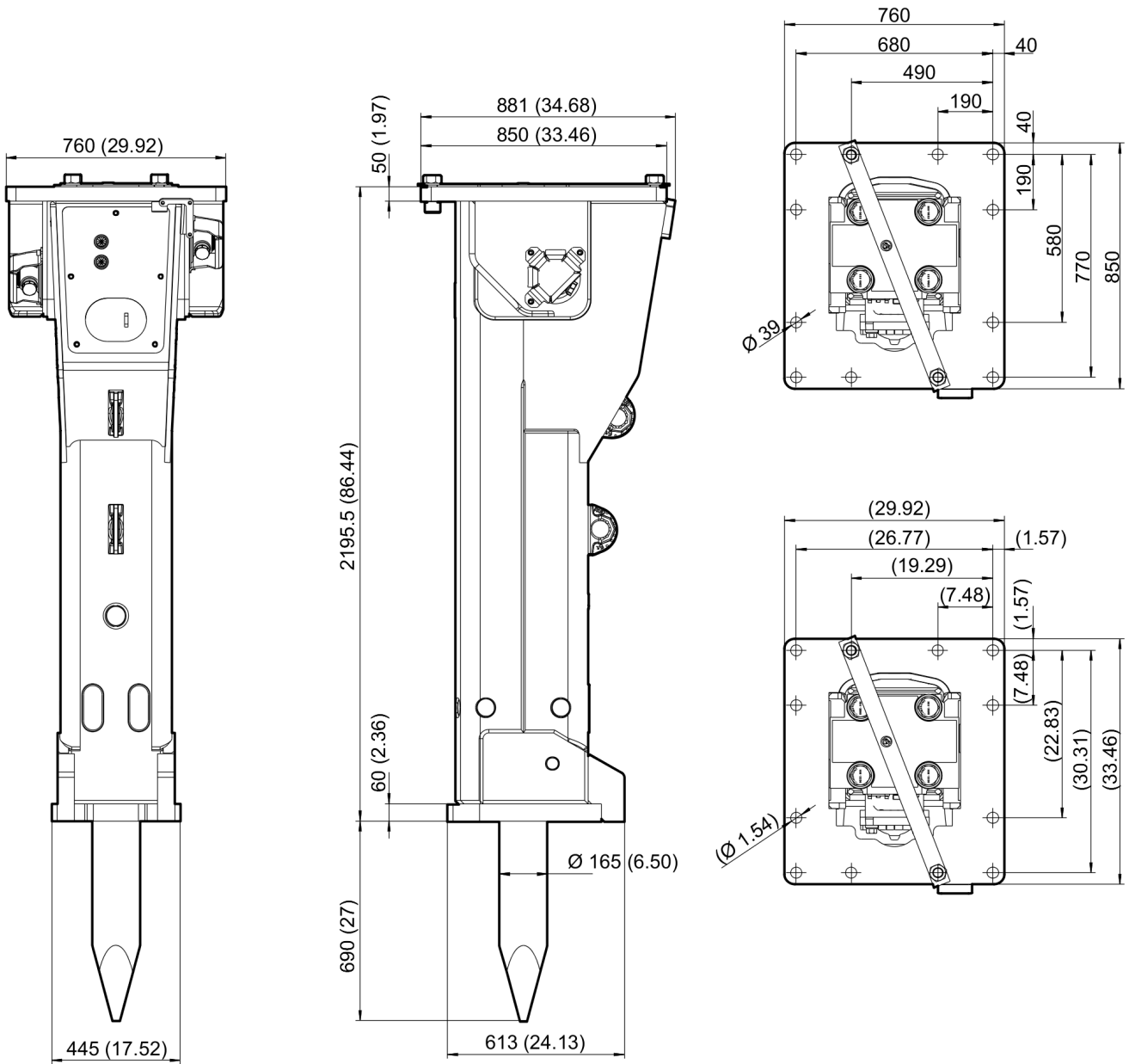
1. Pretighten the tensioning bolts to 500 Nm (369 ft lbf), proceeding in a crosswise fashion,
2. then tighten each tensioning bolt through 120° (2 sides of hexagonal head) in a crosswise fashion,
3. finally tighten each tensioning bolt again through 180° (3 sides of hexagonal head) in a crosswise fashion.

N | Security bit HATCON

Refer to the DocMine web page for most up-to-date information. The printed information might be outdated.

Fri Mar 04 06:21:35 UTC 2022

Mechanical Dimensions



Refer to the DocMine web page for most up-to-date information. The printed information might be outdated.

Fri Mar 04 06:21:35 UTC 2022

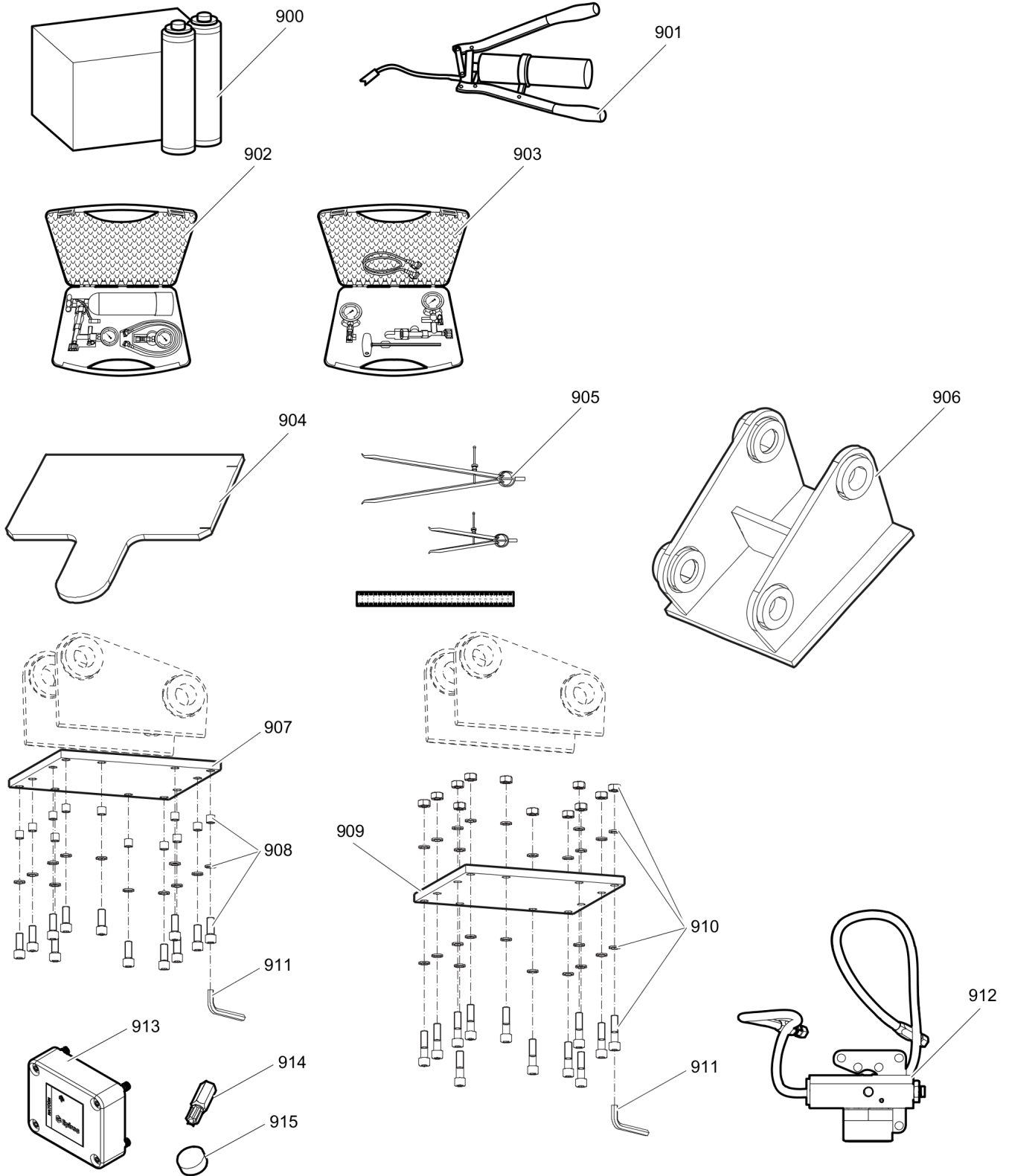
This page intentionally left blank

Options / accessories Hydraulic hoses

NO EXPLODED VIEW
AVAILABLE
FOR THIS BOM

Item	Part No.	Name	Qty	L
-	3361853860	Hydraulic hose, I.D. 32 (1 1/4"), both ends JIC 1 5/8", length 2800 mm (110 in.)	2	
-	3361853861	Hydraulic hose, I.D. 32 (1 1/4"), both ends JIC 1 5/8", length 3500 mm (138 in.)	2	

Options / accessories Optional equipment



Refer to the DocMine web page for most up-to-date information. The printed information might be outdated.

Fri Mar 04 06:21:36 UTC 2022

Item	Part No.	Name	Qty	L
900	3363122356	Bio chisel paste cartridge, 12 x 550 g (1.2 lbs)	1	
900	3363091200	Chisel paste cartridge, 12 x 500 g (1.1 lbs)	1	
901	3363034567	GREASE PUMP	1	
902	3363491004	Charging box with nitrogen cylinder, 2 l, 0.43 gal (0.53 US gal)	1	
903	3363117786	Charging box without nitrogen cylinder	1	
904	3363069735	Test gauge lower wear bush	1	
905	3363094952	Inside callipers upper wear bush	1	
906		Adapter plate matching the carrier. Consult the authorized Customer Center/Dealer in your area.	1	
907	3363104727	Base plate with threaded inserts	1	
908	3363087304	Bolt kit	1	
909	3363104725	Base plate with through borings	1	
910	3363094576	Bolt kit	1	
911	3360478949	Allen key (27 mm)	1	
912	3363117805	Automatic lubrication system kit	1	A
913	3315442500	Retrofit kit HATCON	1	B
914	3315439105	Security bit HATCON	1	
915	3315439106	Magnet HATCON	1	

Comments for Page: Optional equipment

A | ContiLube® II

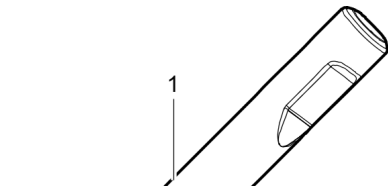
B | with item 914 and 915

Hydraulic breakers are factory equipped with threads for attaching Retrofit kit HATCON

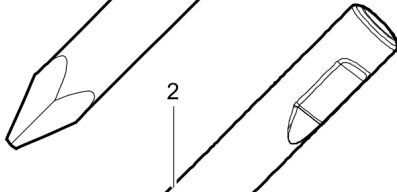
from s/n DEQ201095 - (EC 165T)

from s/n DEQ201096 - (EC 165T CL)

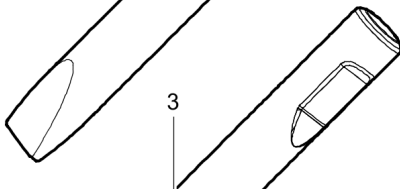
Options / accessories Working tools ClassicLine



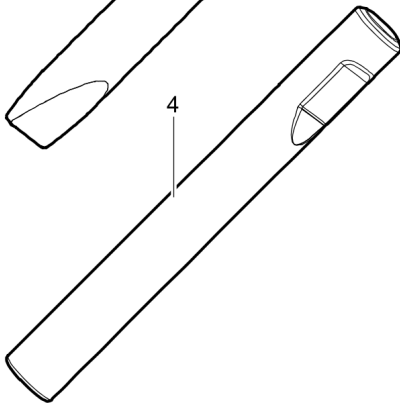
Ø=165 mm, L=690 mm, LT=1380 mm, Wt=198.1 kg
 Ø=6.50 inch, L=27 inch, LT=54.33 inch, Wt=436.7 lb



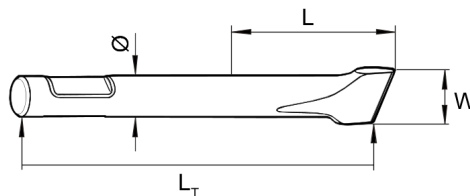
Ø=165 mm, W=165 mm, L=690 mm, LT=1380 mm, Wt=206.5 kg
 Ø=6.50 inch, W=6.50 inch, L=27 inch, LT=54.33 inch, Wt=455.3 lb



Ø=165 mm, W=165 mm, L=690 mm, LT=1380 mm, Wt=206.5 kg
 Ø=6.50 inch, W=6.50 inch, L=27 inch, LT=54.33 inch, Wt=455.3 lb

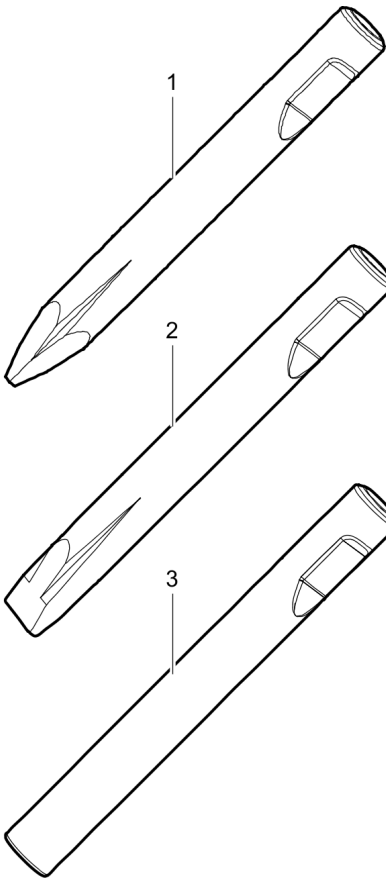


Ø=165 mm, L=690 mm, LT=1380 mm, Wt=221.4 kg
 Ø=6.50 inch, L=27 inch, LT=54.33 inch, Wt=488.1 lb



Item	Part No.	Name	Qty	L
1	3363119511	Moil point	1	
2	3363119512	Chisel (cross)	1	
3	3363119513	Chisel (parallel)	1	
4	3363119514	Blunt tool	1	

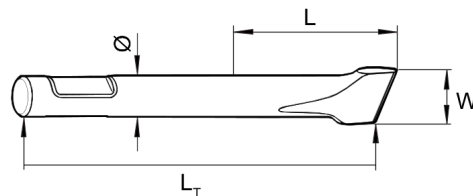
Options / accessories Working tools ProLine



$\text{Ø}=165 \text{ mm}$, $L=760 \text{ mm}$, $L_T=1450 \text{ mm}$, $\text{Wt}=191.2 \text{ kg}$
 $\text{Ø}=6.50 \text{ inch}$, $L=30 \text{ inch}$, $L_T=57.09$, $\text{Wt}=421.5 \text{ lb}$

$\text{Ø}=165 \text{ mm}$, $W=165 \text{ mm}$, $L=760 \text{ mm}$, $L_T=1450 \text{ mm}$, $\text{Wt}=193.5 \text{ kg}$
 $\text{Ø}=6.50 \text{ inch}$, $W=6.50 \text{ inch}$, $L=30 \text{ inch}$, $L_T=57.09$, $\text{Wt}=426.6 \text{ lb}$

$\text{Ø}=165 \text{ mm}$, $L=760 \text{ mm}$, $L_T=1450 \text{ mm}$, $\text{Wt}=233.1 \text{ kg}$
 $\text{Ø}=6.50 \text{ inch}$, $L=30 \text{ inch}$, $L_T=57.09$, $\text{Wt}=513.9 \text{ lb}$



Refer to the DocMine web page for most up-to-date information. The printed information might be outdated.

Fri Mar 04 06:21:38 UTC 2022

Item	Part No.	Name	Qty	L
1	3363118369	Moil point	1	
2	3363118371	Chisel (cross)	1	
3	3363091802	Blunt tool	1	

Any unauthorized use or copying of the contents or any part thereof is prohibited.
This applies in particular to trademarks, model denominations, part numbers, and drawings.