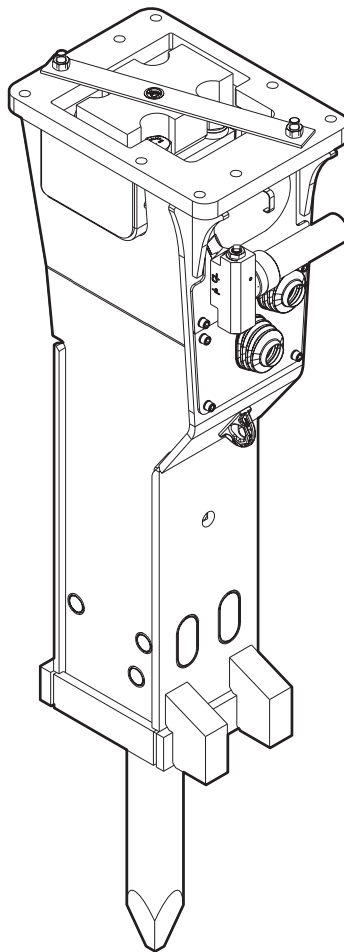


MB 1000

Spare parts list Hydraulic breakers

MB 1000 s/n DEQ201527 -



General information

This spare parts list applies to the following:

Part number	Description
3363120051	Hydraulic breaker MB 1000
3363124762	Hydraulic breaker MB 1000 with HATCON

Use only authorized parts. Any damage or malfunction caused by the use of unauthorized parts is not covered by Warranty or Product Liability. Any unauthorized use or copying of the contents or any part thereof is prohibited. This applies in particular to trademarks, model denominations, part numbers, and drawings.

Instructions for use

This spare parts list contains no safety regulations and is merely intended to assist in the ordering of spare parts.

For information about operating, servicing, or repairing, the relevant Safety and operating instructions must be consulted at all costs.

Please observe the safety instructions listed in the relevant Safety and operating instructions!

Instructions for ordering

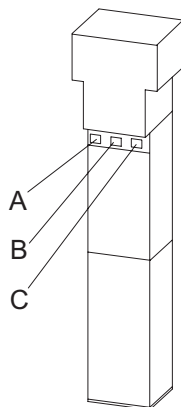
It is essential to indicate the serial number of the hydraulic attachment when ordering spare parts!

Please note the full identification number of your hydraulic attachment.

The code can be found on the cylinder.

Determine the quantity of individual parts which are required and need to be ordered. The order must indicate the following details:

- full identification code of the hydraulic attachment
- required quantity
- part number
- description



- A. Cylinder number
- B. Type
- C. Serial number

Service, repair and wear part kits

Label kit 1
Kit list 3

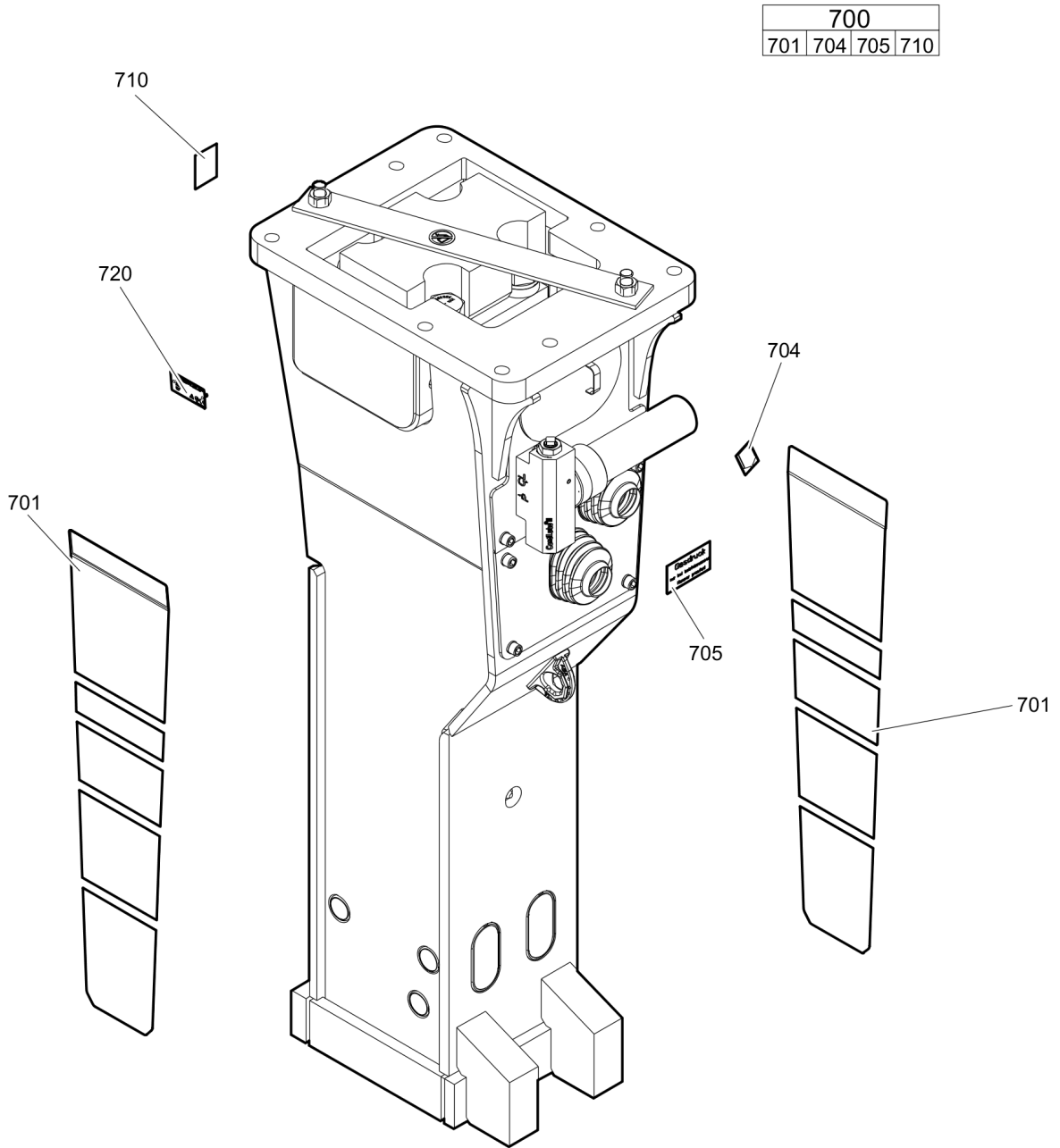
Mechanical

Hydraulic breaker 6
Percussion unit part 1: cylinder cover9
Percussion unit part 2: cylinder 11
Percussion unit part 3: lower breaker part 13
Connecting kit for automatic lubrication system 15
HATCON 17
Optional parts 19
Tightening torques 21
Dimensions 24

Options / accessories

Hydraulic hoses 26
Optional equipment 29
Working tools ClassicLine 31
Working tools ProLine 33

Service, repair and wear part kits Label kit



Item	Part No.	Name	Qty	L
700(701-710)	3363121178	Label kit	1	
701		Label "MB 1000 Epiroc"	2	
704		Label - Lubricating symbol	1	
705		Label - Gas pressure	2	
710		Sound power label	1	
720		Name plate - Consult the authorized Customer Center/Dealer in your area.	1	

Service, repair and wear part kits Kit list

NO EXPLODED VIEW
AVAILABLE
FOR THIS BOM

Item	Part No.	Name	Qty	L
KIT	3363123137	Seal kit	1	
120	3360314376	O-ring	1	
122	3360920934	Seal	1	
123	3363085238	Seal	2	
124	3361192025	O-ring, $\varnothing 113.67 \times 5.33$ mm, 90 shore (NBR)	2	
182	3360478426	Threaded plug	1	
183	3360175125	O-ring	1	
303	3360314495	O-ring	2	
305	3363085242	Wiper	1	
315	3360478171	O-ring	1	
385	3363123135	Seal	2	
397	3360314551	O-ring	2	
KIT	3363091732	Seal kit for swivel joint for automatic lubrication system	1	
KIT	3363121177	Plastic parts kit	1	
2	3363082899	Elastic pad	1	
3	3361852237	Shock absorber	2	
4	3363120055	Guide plate	2	
5	3363084231	Guide plate	1	
6	3363082897	Guide plate	2	
KIT	3363094348	Tensioning bolt kit	1	A
191		Tensioning bolt	2	
192	3363093645	Washer	2	
487	3363089419	Threaded insert	2	
KIT	3363121180	Noise protection kit	1	
31	3363086011	Plug	2	
32	3362267897	Plug	10	
36	3363092697	Cover	1	
37	3363118186	Bellows	2	
KIT	3363094367	Lower breaker part kit	1	
401	3363084075	Retainer bar	2	
402	3363085110	Bolt	2	
403	3362262925	Plug	4	
482	3363084077	Impact ring	1	
483	3363084071	Wear bush	1	
484	3363090503	Wear bush (steel)	1	
485	3363085110	Bolt	2	
486	3363033043	Locking bush	4	

Refer to the DocMine web page for most up-to-date information. The printed information might be outdated.

Mon Jan 11 08:44:15 UTC 2021

Item	Part No.	Name	Qty	L
-	3315038100	Bio chisel paste cartridge, 12 x 400 g (0.88 lbs)	1	
-	3363090521	Test gauge lower wear bush	1	

Comments for Page: Kit list

A | You need Anti-Seize agent when fitting tensioning bolts. You have to order it separately.

Anti-seize 120 g, part number 3363094300

Or buy it locally according to the following specification:

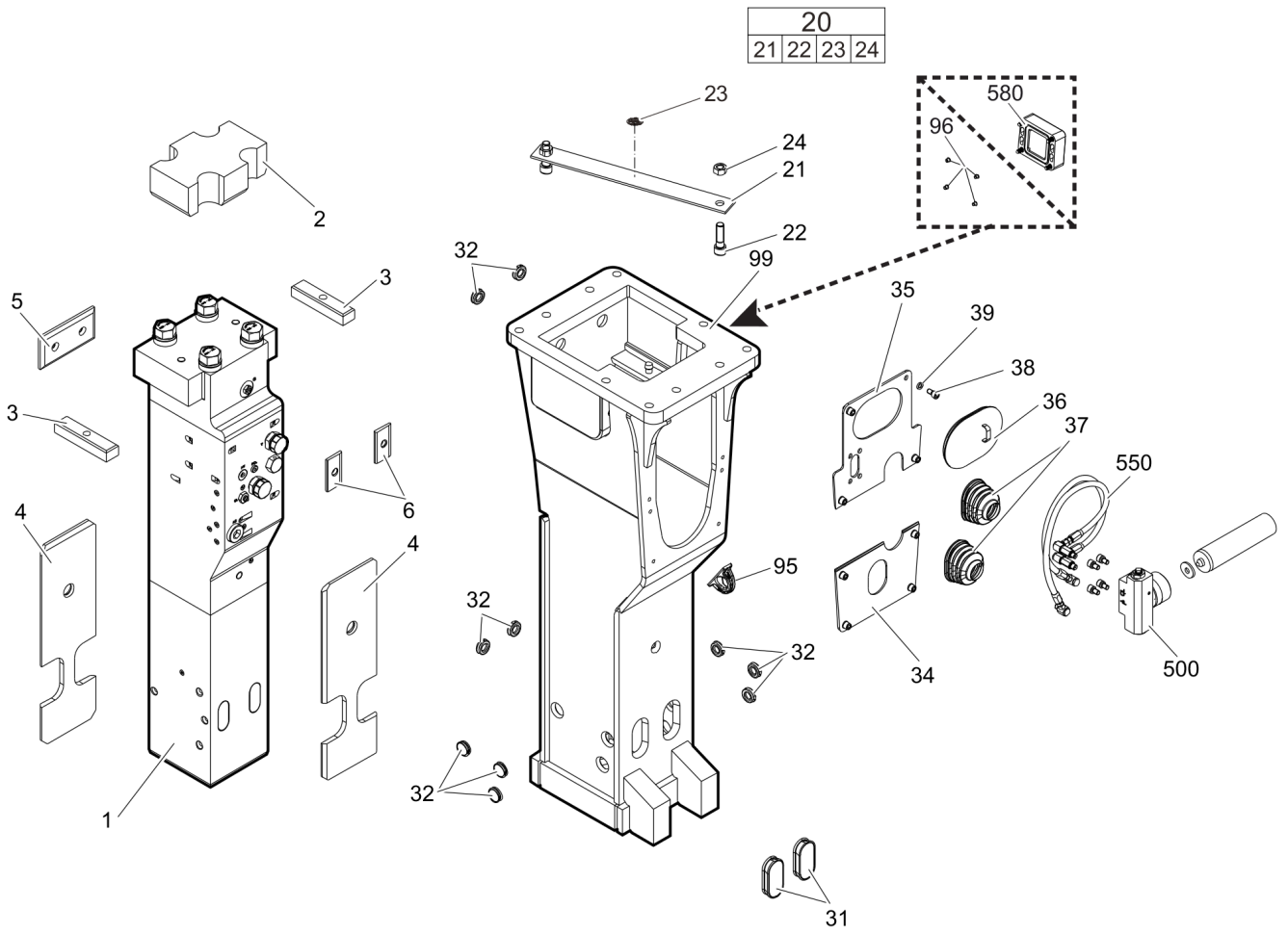
coefficient of friction 0.14 μ

coefficient of friction thread 0.13 μ

coefficient of friction on upside down 0.15 μ

This page intentionally left blank

Mechanical Hydraulic breaker



Item	Part No.	Name	Qty	L
1		Percussion unit	1	A
2	3363082899	Elastic pad	1	
3	3361852237	Shock absorber	2	
4	3363120055	Guide plate	2	
5	3363084231	Guide plate	1	
6	3363082897	Guide plate	2	
20(21-24)	3363083731	Transport safety device complete	1	
21		Transport safety device	1	
22	3360026786	Allen screw	2	
23	3363091872	Label transport safety device	1	
24	3360103251	Nut	2	
31	3363086011	Plug	2	
32	3362267897	Plug	10	
34	3363120045	Plate	1	
35	3363120044	Plate	1	
36	3363092697	Cover	1	
37	3363118186	Bellows	2	
38	3362328480	Allen screw	8	
39	3361850596	Pair of lock washers	8	
95	3363111993	Lifting eye	1	B
96	3315439145	Protective plug HATCON	4	C
99	3363120046	Breaker box	1	D
500	3363067123	Automatic lubrication system	1	
550		Connection kit for automatic lubrication system	1	A
580		HATCON	1	E

Comments for Page: Hydraulic breaker

(L)OCAL REMARKS

A | see separate chapter

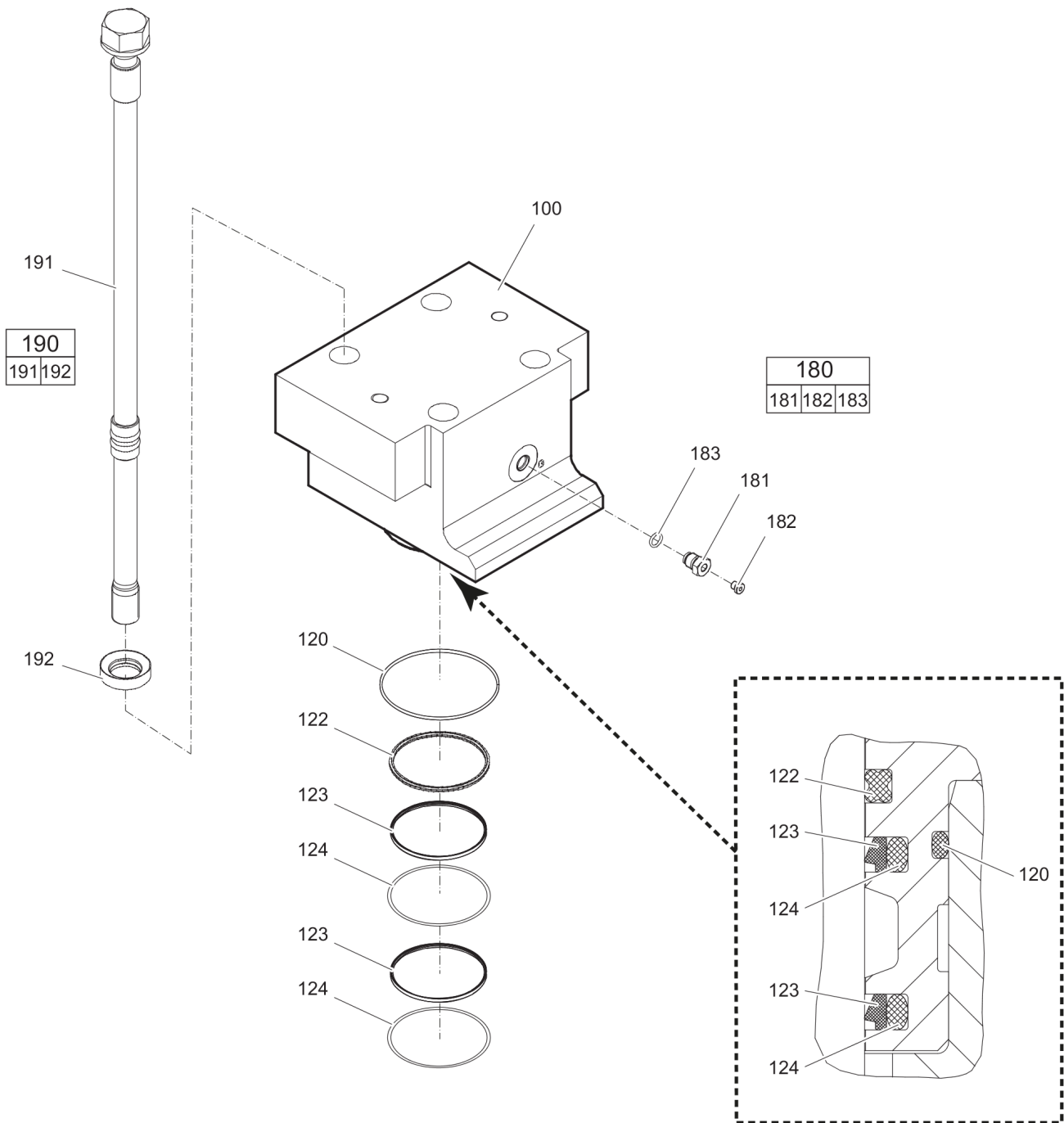
B | professional welding process necessary

C | only for hydraulic breakers without HATCON

D | with item 95 and 96

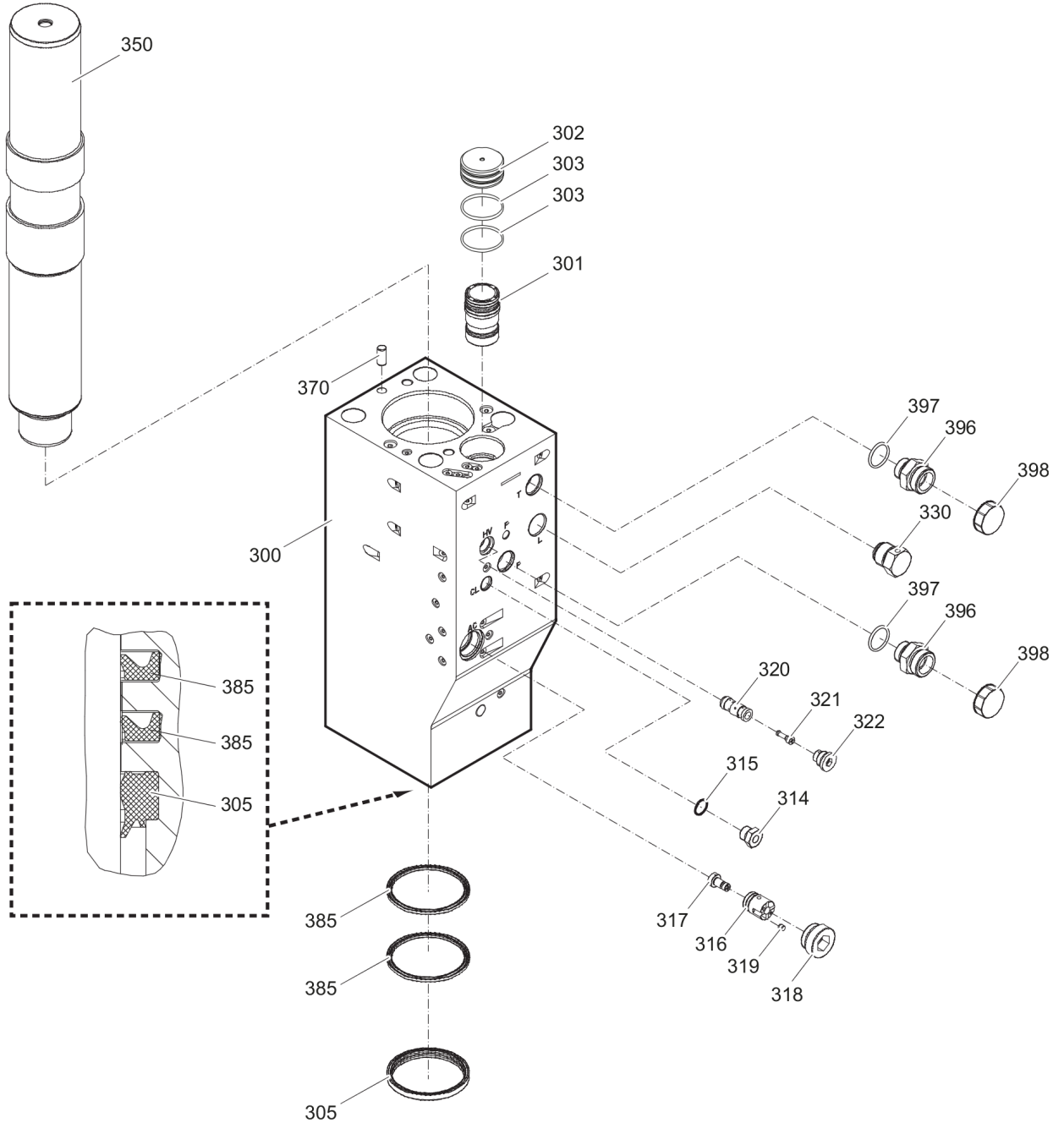
E | only for hydraulic breakers with HATCON / see separate chapter

Mechanical Percussion unit part 1: cylinder cover



Item	Part No.	Name	Qty	L
100	3363089416	Cylinder cover	1	
120	3360314376	O-ring	1	
122	3360920934	Seal	1	
123	3363085238	Seal	2	
124	3361192025	O-ring, \varnothing 113.67 x 5.33 mm, 90 shore (NBR)	2	
180(181-183)	3363087286	Filling valve complete	1	
181		Filling valve	1	
182	3360478426	Threaded plug	1	
183	3360175125	O-ring	1	
190(191-192)	3363089568	Tensioning bolt complete	4	
191		Tensioning bolt	1	
192	3363093645	Washer	1	

Mechanical Percussion unit part 2: cylinder



Item	Part No.	Name	Qty	L
300	3363123691	Cylinder	1	
301	3363033751	Main control valve	1	
302	3363119841	Cover	1	
303	3360314495	O-ring	2	
305	3363085242	Wiper	1	
314	3361854657	Connecting screw	1	
315	3360478171	O-ring	1	
316	3363067803	Valve bushing	1	A
317	3363067805	Valve piston	1	A
318	3363069501	Threaded plug	1	
319	3363066197	Pin	1	A
320	3363033059	Valve housing	1	A
321	3363105305	Valve piston	1	A
322	3363033749	Threaded plug	1	
330	3361854511	Non-return valve	1	
350	3363089415	Percussion piston	1	
370	3360106784	Parallel pin 14X28	1	
385	3363123135	Seal	2	
396	3360995665	Fitting	2	B
397	3360314551	O-ring	2	
398	3361353488	Protective cap	2	

Comments for Page: Percussion unit part 2: cylinder

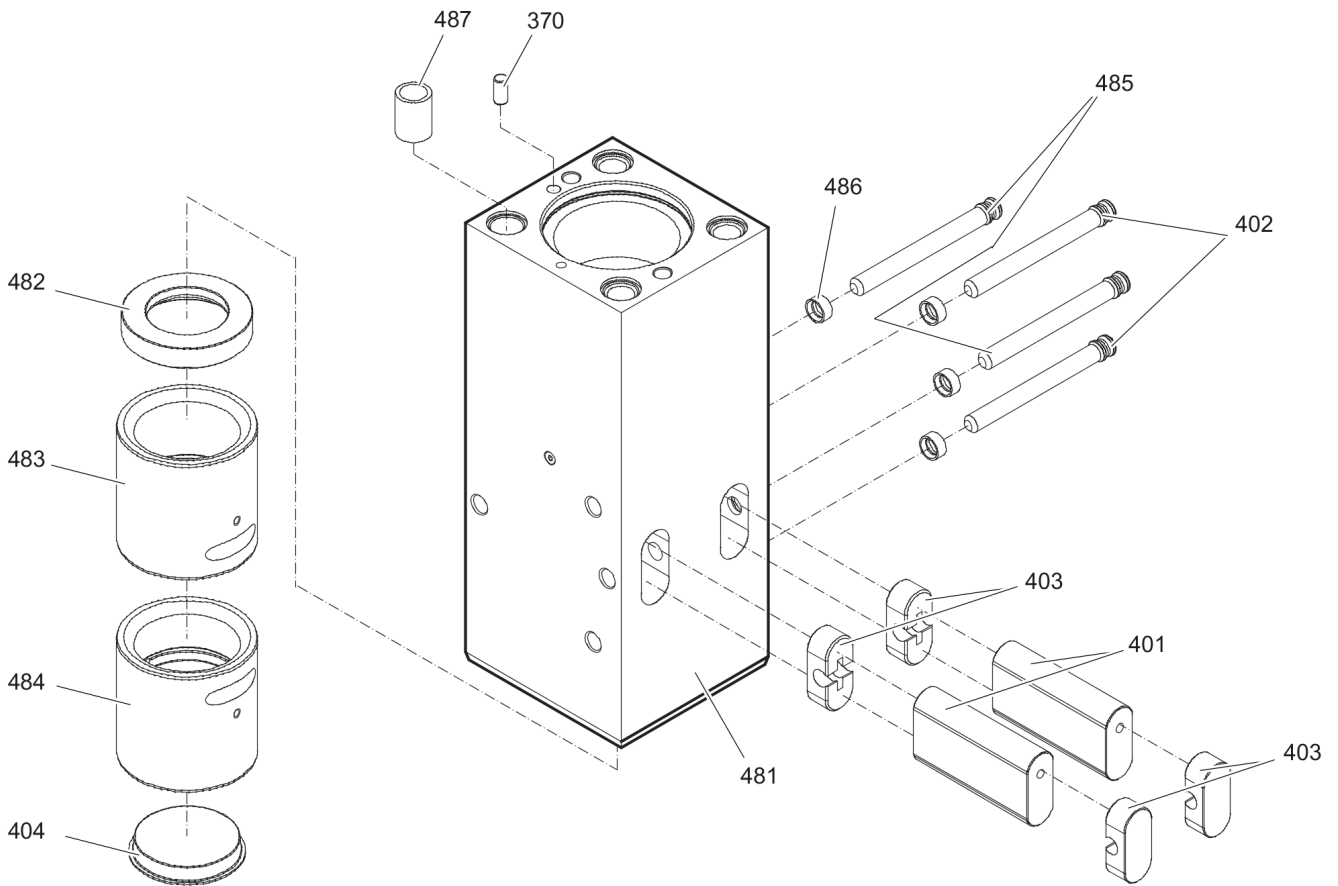
(L)OCAL REMARKS

A | AutoControl

B | with item 397

Mechanical Percussion unit part 3: lower breaker part

480						
481	482	483	484	485	486	487



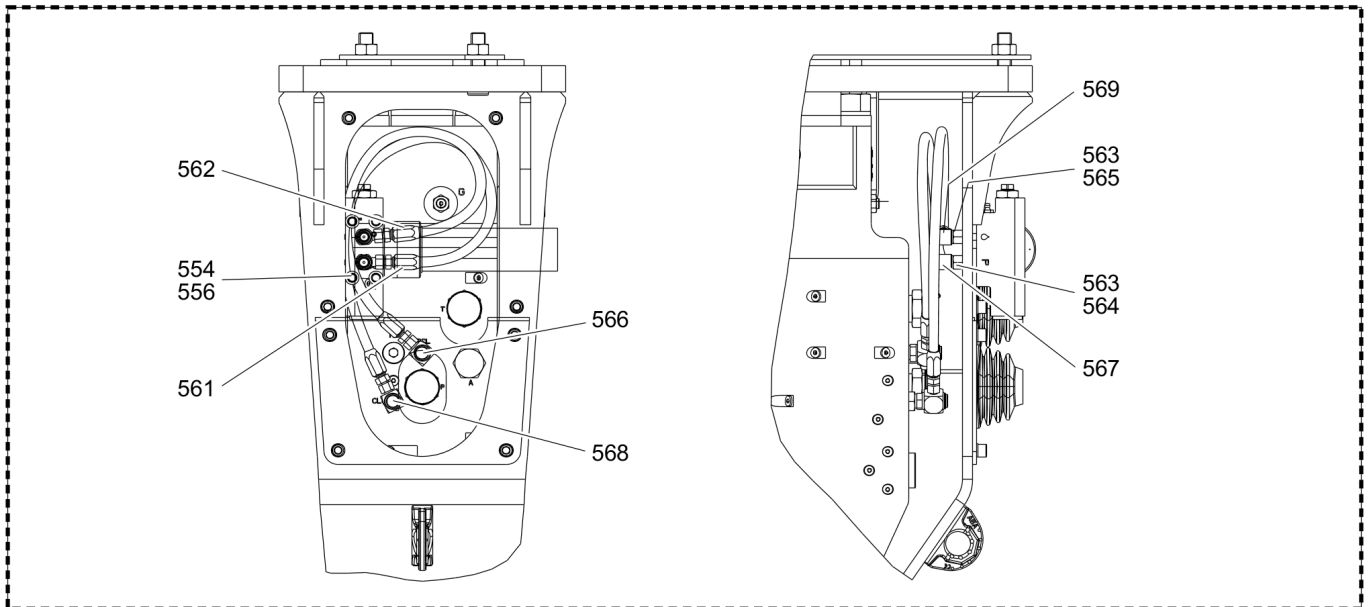
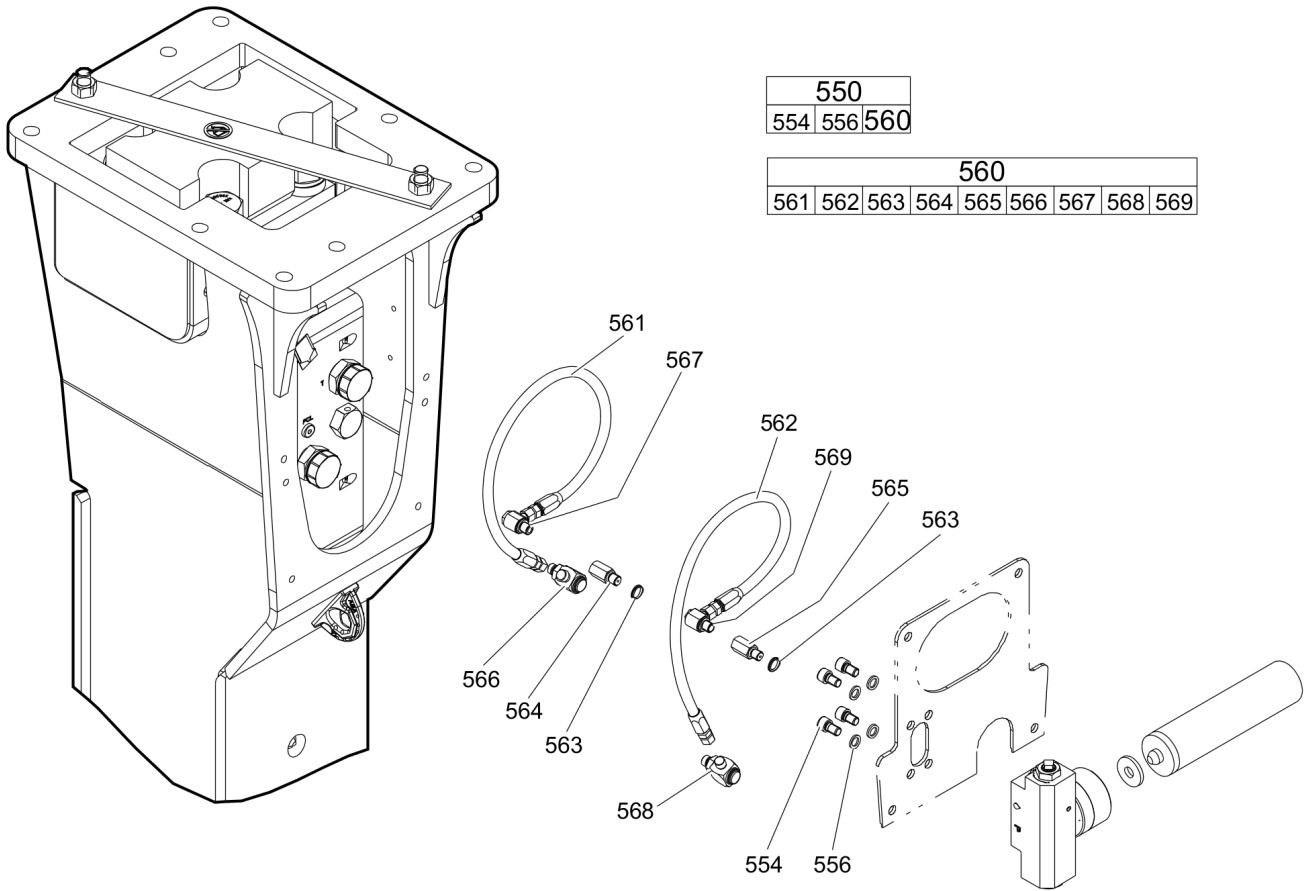
Item	Part No.	Name	Qty	L
370	3360106784	Parallel pin 14X28	1	
401	3363084075	Retainer bar	2	
402	3363085110	Bolt	2	
403	3362262925	Plug	4	
404	3363031714	Protective cap	1	
480(481-487)	3363089402	Lower breaker part complete	1	A
481		Lower breaker part	1	
482	3363084077	Impact ring	1	
483	3363084071	Wear bush	1	
484	3363090503	Wear bush (steel)	1	
485	3363085110	Bolt	2	
486	3363033043	Locking bush	4	
487	3363089419	Threaded insert	4	

Comments for Page: Percussion unit part 3: lower breaker part

(L)OCAL REMARKS

A | Note: When ordering a lower breaker part for DustProtector version it is imperative to order additionally the base for wiper (item 18) and the wiper (item 19).

Mechanical Connecting kit for automatic lubrication system



Refer to the DocMine web page for most up-to-date information. The printed information might be outdated.

Mon Jan 11 08:44:20 UTC 2021

Item	Part No.	Name	Qty	L
550(554-560)		Connection kit for automatic lubrication system	1	
554	3362328480	Allen screw	4	A
556	3361850596	Pair of lock washers	4	
560(561-569)	3363121796	Connecting kit for automatic lubrication system	1	B
561	3363087394	Hydraulic hose	1	C
562	3363087393	Hydraulic hose	1	D
563	3363066951	Seal	2	
564	3363068745	Adapter	1	A
565	3363066887	Adapter	1	A
566	3363087185	Fitting	1	A
567	3363066234	Fitting	1	A
568	3363087186	Fitting	1	A
569	3363066233	Fitting	1	A

Comments for Page: Connecting kit for automatic lubrication system

(L)OCAL REMARKS

A | secure with Loctite 243

B | without fastening elements

C | Oil line

secure with Loctite 243

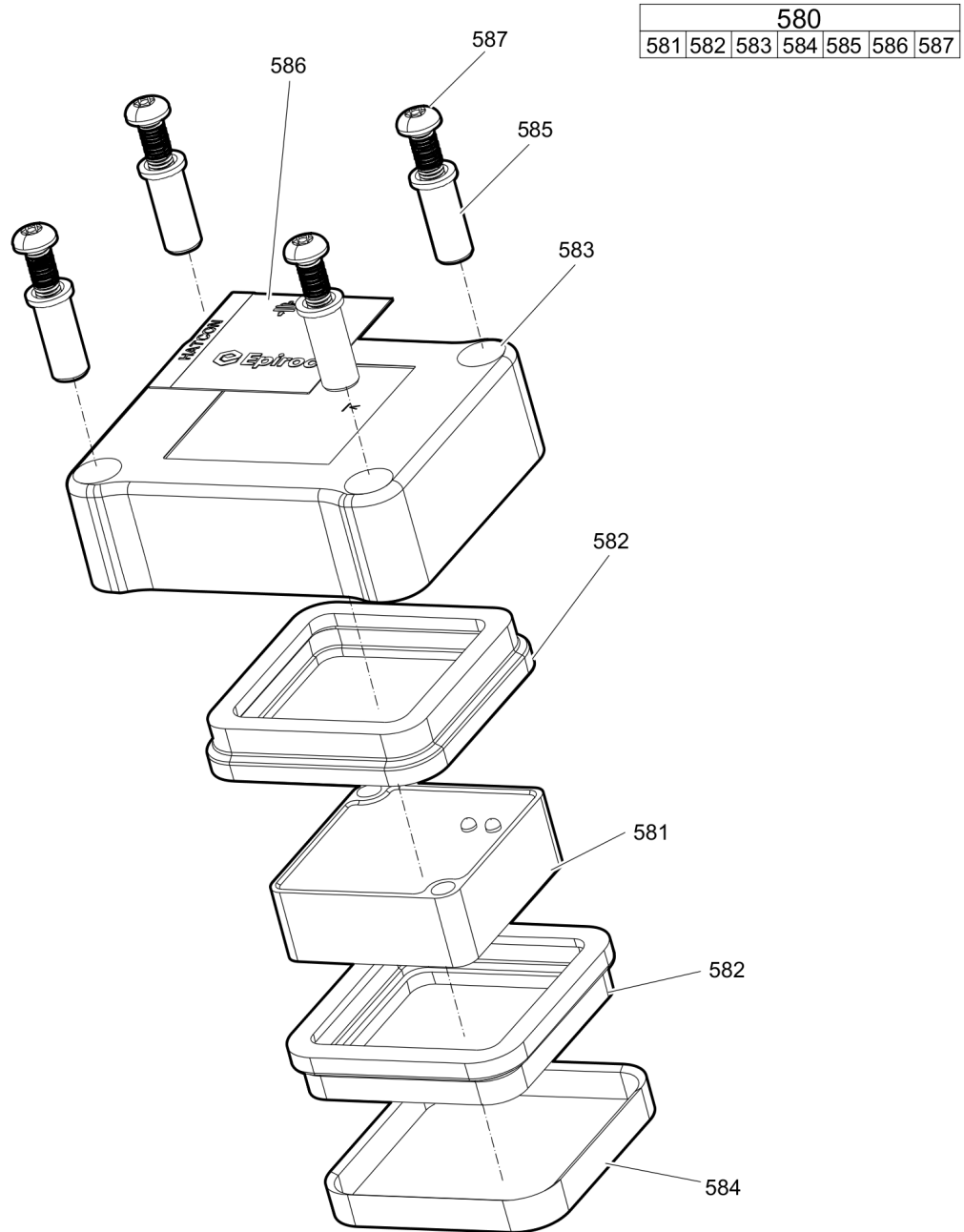
Route the hydraulic hoses as shown on the drawing. It must be ensured that the hydraulic hoses can move freely and are not in contact at any point.

D | Grease line

secure with Loctite 243

Route the hydraulic hoses as shown on the drawing. It must be ensured that the hydraulic hoses can move freely and are not in contact at any point.

Mechanical HATCON

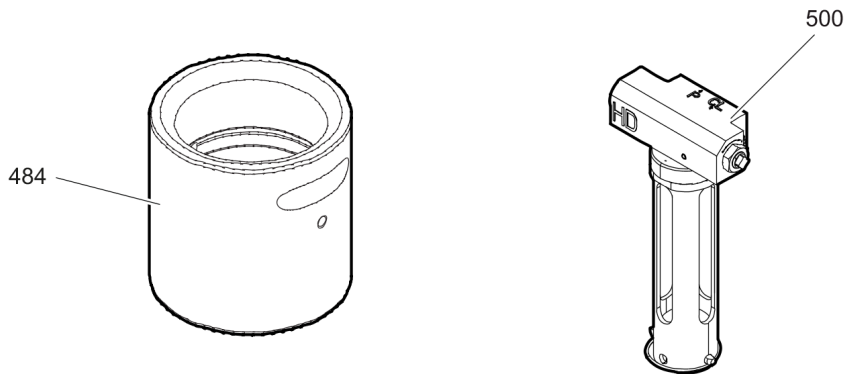


Item	Part No.	Name	Qty	L
580(581-587)		HATCON	1	A
581		Tracking module HATCON	1	
582	3315439130	Damper HATCON	2	
583	3315439110	Housing type 1 HATCON	1	
584	3315439140	Lock ring HATCON	1	
585	3315439120	Sleeve HATCON	4	
586	3315439100	Product label HATCON	1	
587	3315442600	Screw HATCON	4	

Comments for Page: HATCON

A | part number see chapter "Optional equipment"

Mechanical Optional parts



Item	Part No.	Name	Qty	L
484	3363090501	Wear bush (bronze)	1	
500	3363117931	Automatic lubrication system HD	1	

Mechanical Tightening torques

NO EXPLODED VIEW
AVAILABLE
FOR THIS BOM

Item	Part No.	Name	Qty	L
22	-	Allen screw - 240 Nm (177 ft lbf)	-	A
24	-	Nut - 240 Nm (177 ft lbf)	-	B
38	-	Allen screw - 85 Nm (63 ft lbf)	-	C
181	-	Filling valve - 130 Nm (96 ft lbf)	-	D
182	-	Threaded plug - 20 Nm (15 ft lbf)	-	E
191	-	Tensioning bolt -	-	F
314	-	Threaded plug - 300 Nm (221 ft lbf)	-	G
318	-	Threaded plug - 350 Nm (258 ft lbf)	-	H
322	-	Threaded plug - 100 Nm (74 ft lbf)	-	I
330	-	Non-return valve - 200 Nm (148 ft lbf)	-	J
396	-	Fitting - 330 Nm (243 ft lbf)	-	K
554	-	Allen screw - 85 Nm (63 ft lbf)	-	C
561	-	Hydraulic hose oil line - 42 Nm (31 ft lbf)	-	L
562	-	Hydraulic hose grease line - 16 Nm (12 ft lbf)	-	M
564	-	Fitting - 55 Nm (41 ft lbf)	-	L
565	-	Fitting - 45 Nm (33 ft lbf)	-	L
566	-	Fitting - 60 Nm (44 ft lbf)	-	N
567	-	Fitting - 55 Nm (41 ft lbf)	-	O
568	-	Fitting - 50 Nm (37 ft lbf) - O	-	P
569	-	Fitting - 45 Nm (33 ft lbf)	-	Q
587	-	Screw HATCON - 22 Nm (16 ft lbf)	-	R

Comments for Page: Tightening torques

(L)OCAL REMARKS

A | Allen key size 17

B | Socket spanner size 30

C | Allen key size 10

D | Socket spanner size 22

E | Allen key size 5

F | Torque wrench or Power wrench size 50

1. Pretighten the tensioning bolts to 200 Nm (148 ft lbf), proceeding in a crosswise fashion,
2. then tighten each tensioning bolt through 120° (2 sides of hexagonal head) in a crosswise fashion,
3. finally tighten each tensioning bolt again through 120° (2 sides of hexagonal head) in a crosswise fashion.

G | Allen key size 22

H | Allen key size 24

I | Allen key size 12

J | Socket spanner size 41

K | Jaw spanner size 46/50

Refer to the DocMine web page for most up-to-date information. The printed information might be outdated.

Mon Jan 11 08:44:24 UTC 2021

L | Open-ended wrench size 19

M | Open-ended wrench size 17

N | Open-ended wrench size 19, 22, 27

O | Open-ended wrench size 19, 22

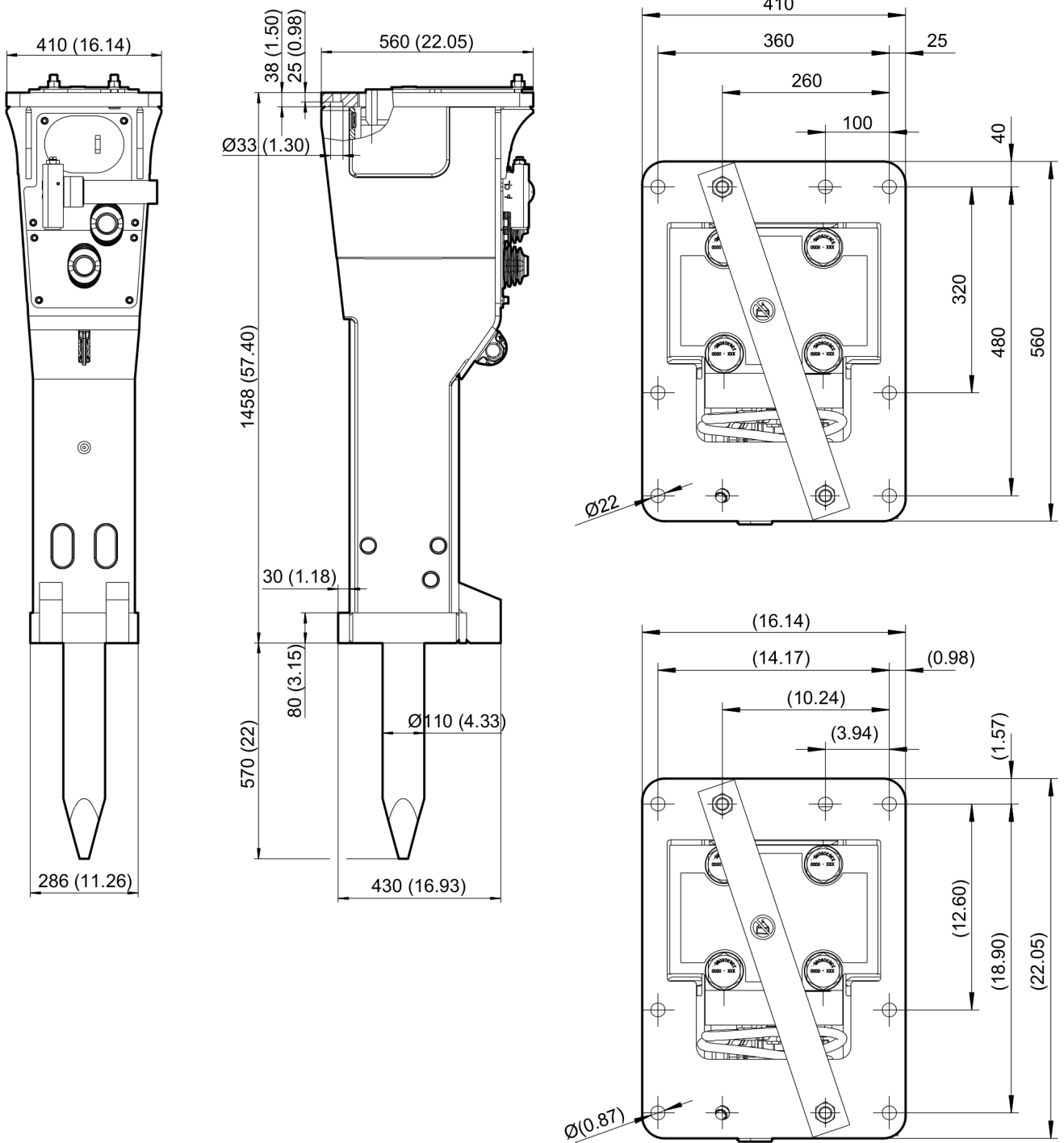
P | Open-ended wrench size 17, 22, 27

Q | Open-ended wrench size 17, 19, 22

R | Security bit HATCON

This page intentionally left blank

Mechanical Dimensions



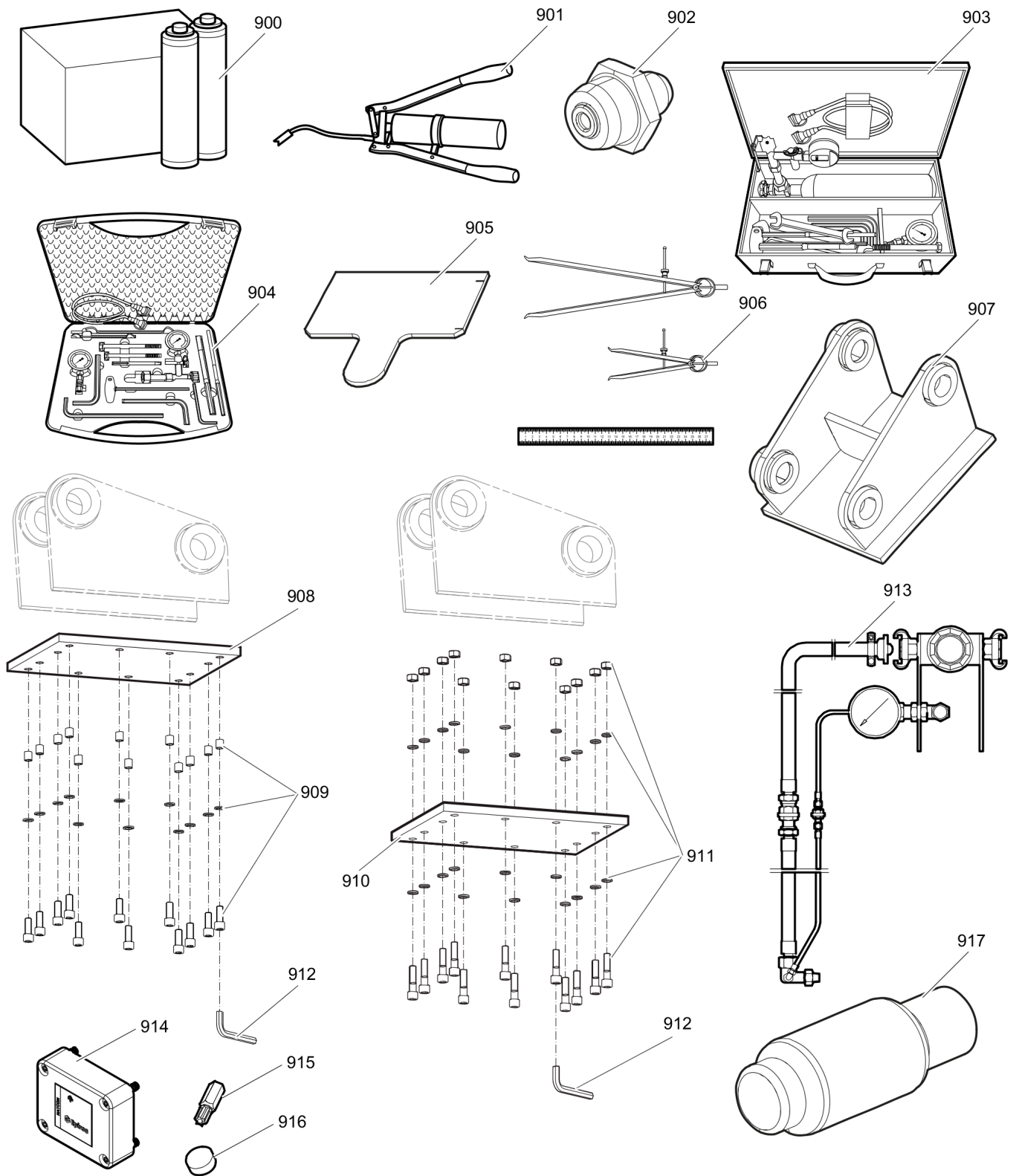
This page intentionally left blank

Options / accessories Hydraulic hoses

**NO EXPLODED VIEW
AVAILABLE
FOR THIS BOM**

Item	Part No.	Name	Qty	L
-	3360992340	Hydraulic hose, I.D. 25 (1"), both ends M42 x 2 conical seal 24°, length 2300 mm (91 in.)	2	
-	3361853859	Hydraulic hose, I.D. 25 (1"), both ends M42 x 2 conical seal 24°, length 2800 mm (110 in.)	2	

Options / accessories Optional equipment



Refer to the DocMine web page for most up-to-date information. The printed information might be outdated.
Mon Jan 11 08:44:25 UTC 2021

Item	Part No.	Name	Qty	L
900	3363122356	Bio chisel paste cartridge, 12 x 550 g (1.2 lbs)	1	
900	3363091200	Chisel paste cartridge, 12 x 500 g (1.1 lbs)	1	
901	3363034567	GREASE PUMP	1	
902	3360433774	Grease nipple	1	
903	3363089844	Maintenance and charging box with nitrogen cylinder, 2 l, 0.43 gal (0.53 US gal)	1	
904	3363094940	Maintenance and charging box without nitrogen cylinder	1	
905	3363090521	Test gauge lower wear bush	1	
906	3363094952	Inside callipers upper wear bush	1	
907		Adapter plate matching the carrier. Consult the authorized Customer Center/Dealer in your area.	1	
908	3363099797	Base plate with threaded inserts	1	
909	3363094537	Bolt kit	1	
910	3363100695	Base plate with through borings	1	
911	3363094574	Bolt kit	1	
912	3360209253	Allen key (19 mm)	1	
913	3363090531	Adapter kit for underwater applications	1	
914	3315442500	Retrofit kit HATCON	1	A
915	3315439105	Security bit HATCON	1	
916	3315439106	Magnet HATCON	1	
917	3363092975	Piston retainer	1	B

Comments for Page: Optional equipment

A | with item 915 and 916

Hydraulic breakers are factory equipped with threads for attaching Retrofit kit HATCON

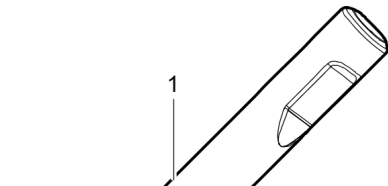
from s/n DEQ200022 - (MB 1000)

from s/n DEQ200380 - (MB 1000 DP)

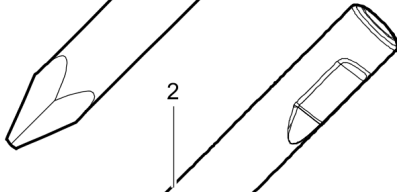
from s/n DEQ200380 - (MB 1000 E)

B | Consult the authorized Customer Center/Dealer in your area.

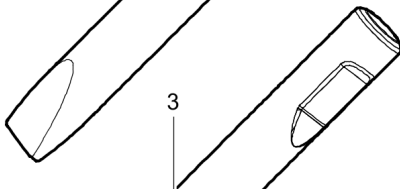
Options / accessories Working tools ClassicLine



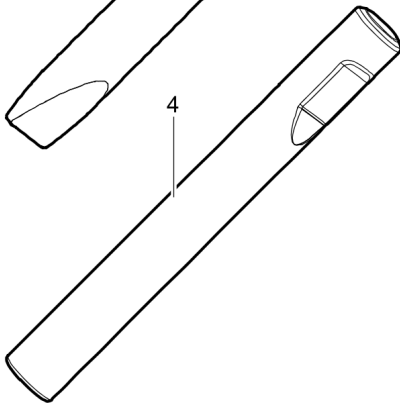
Ø=110 mm, L= 570 mm, LT=1040 mm, Wt=69.0 kg
 Ø=4.33 inch, L=22 inch, LT=40.94 inch, Wt=152.1lb



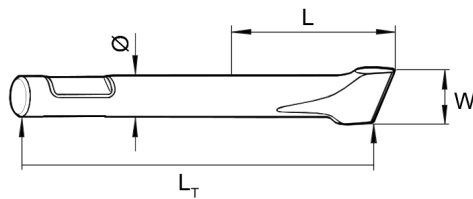
Ø=110 mm, W=110 mm, L= 570 mm, LT=1040 mm, Wt=71.0 kg
 Ø=4.33 inch, W=4.33 inch, L=22 inch, LT=40.94 inch, Wt=156.5 lb



Ø=110 mm, W=110 mm, L= 570 mm, LT=1040 mm, Wt=71.0 kg
 Ø=4.33 inch, W=4.33 inch, L=22 inch, LT=40.94 inch, Wt=156.5 lb

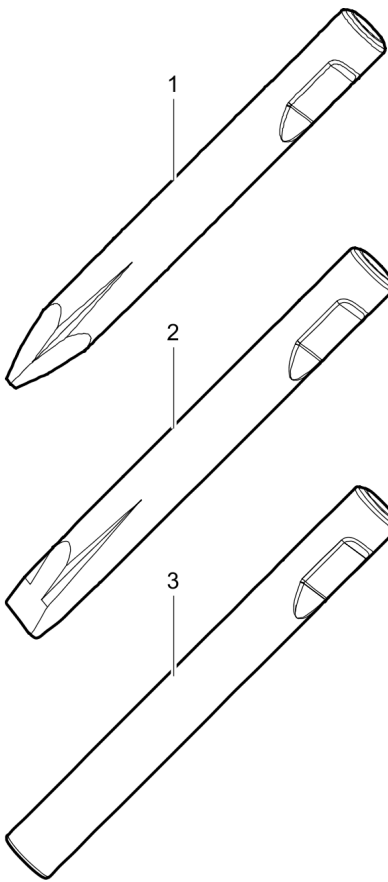


Ø=110 mm, L= 570 mm, LT=1040 mm, Wt=75.0 kg
 Ø=4.33 inch, L=22 inch, LT=40.94 inch, Wt=165.3 lb



Item	Part No.	Name	Qty	L
1	3363119645	Moil point	1	
2	3363119646	Chisel (cross)	1	
3	3363119647	Chisel (parallel)	1	
4	3363119648	Blunt tool	1	

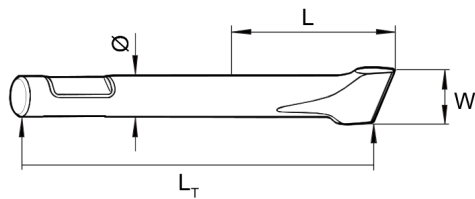
Options / accessories Working tools ProLine



Ø=110 mm, L= 630 mm, LT=1100 mm, Wt=73.0 kg
 Ø=4.33 inch, L=25 inch, LT=43.31 inch, Wt=160.9 lb

Ø=110 mm, W=110 mm, L= 630 mm, LT=1100 mm, Wt=75.0 kg
 Ø=4.33 inch, W=4.33 inch, L=25 inch, LT=43.31 inch, Wt=165.3 lb

Ø=110 mm, L= 630 mm, LT=1100 mm, Wt=79.0 kg
 Ø=4.33 inch, L=25 inch, LT=43.31 inch, Wt=174.2 lb



Item	Part No.	Name	Qty	L
1	3363118320	Moil point	1	
2	3363118321	Chisel (cross)	1	
3	3363084081	Blunt tool	1	

Any unauthorized use or copying of the contents or any part thereof is prohibited.
This applies in particular to trademarks, model denominations, part numbers, and drawings.