

# Boomer M-series

Face drilling rig for tunneling and mining applications  
with a coverage area up to 65 m<sup>2</sup>



# Reloaded to meet your conditions

The Boomer M-series face drilling rigs have become a key piece of equipment for mining and tunneling applications. As part of our commitment to continuous improvement, the face drilling rig has benefitted from a comprehensive upgrade, focusing on improved safety, increased robustness and lower operational costs. The end result is a new Boomer M-series that truly is "reloaded".

## + Main benefits

**Upgraded safety and ergonomics** with ROPS and FOPS certified cabin, improved interior and safe bolting boom function

**Better durability and robustness** with overall improvements to the entire rig such as strengthened components, better protection of parts and better protection against internal wear

**Lower operational costs** thanks to longer service intervals and less unplanned downtime

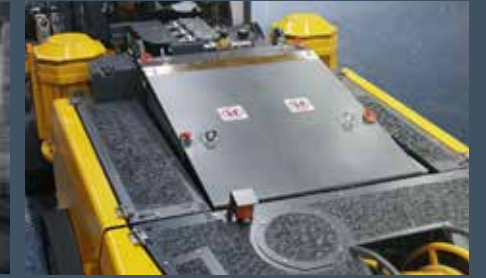
## + Battery driveline benefits



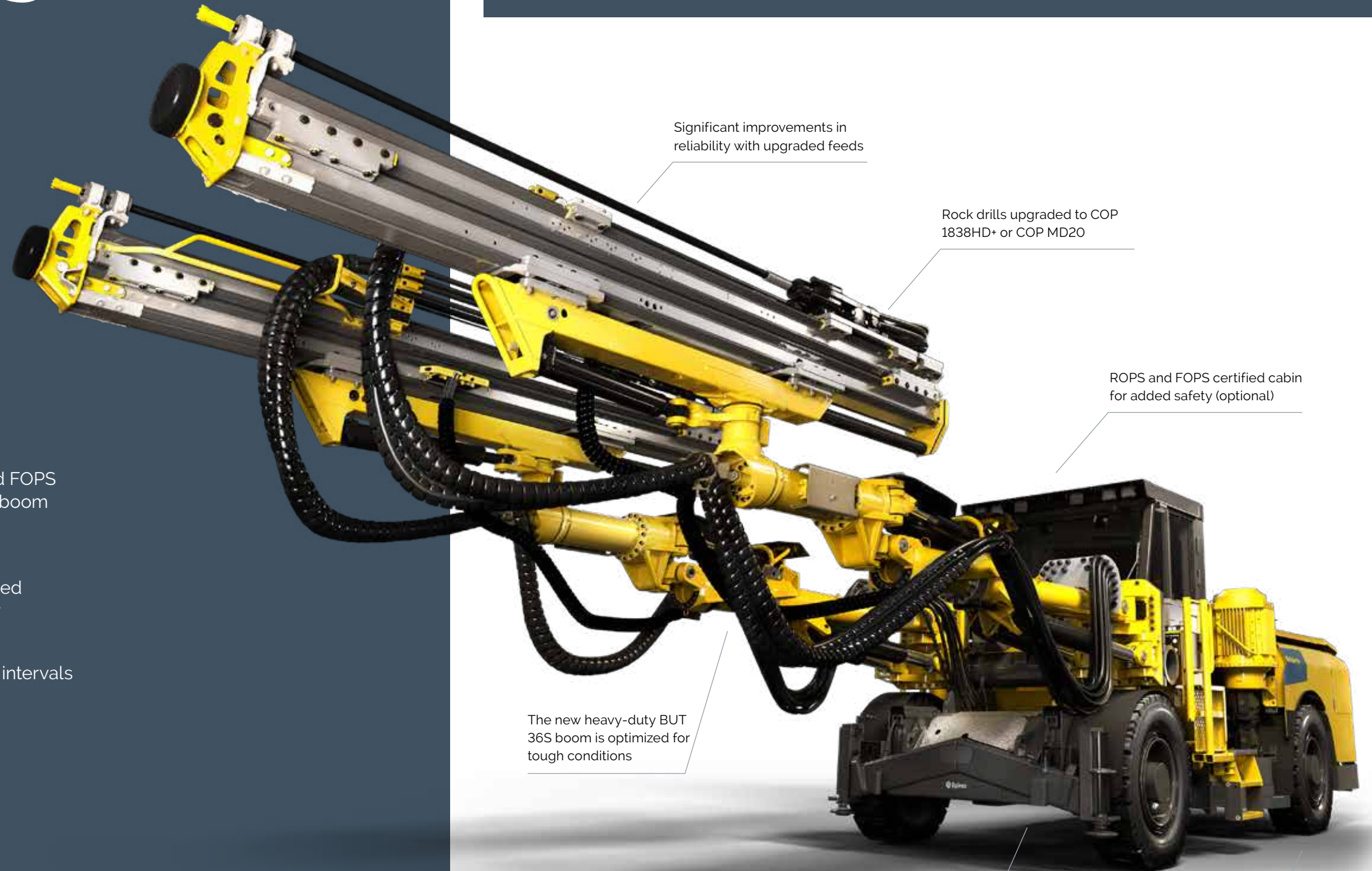
The 150 kW electric drive train of the Boomer M2 Battery emits 80% less heat during tramming than its diesel-driven counterpart's 120 kW diesel engine.



The complete drive train and battery are based on commercial, well-tested components that enable high performance and efficiency.



Automatic battery management and the industry's safest battery solution make it ideal for optimal production in demanding underground work environments.



Significant improvements in reliability with upgraded feeds

Rock drills upgraded to COP 1838HD+ or COP MD20

ROPS and FOPS certified cabin for added safety (optional)

The new heavy-duty BUT 36S boom is optimized for tough conditions

Stronger axle for a longer life

Filtration package designed to protect the key assets on the drill rig (optional)



# The good just got better

There are always ways to improve and evolve equipment design. When contemplating what to focus on with the Boomer M-series upgrade, we utilized customer focused workshops, site visits and feedback from operators and service technicians to identify what equipment areas should be enhanced.



## + Safe bolting boom function

The Boomer M-series is unique in the mining and construction world because it offers a safe bolting boom function for the semi-mechanized installation of rock bolts. Due to the design of the BUT 36S booms and the side platforms on both sides of the operator station, it is possible to swing the feed all the way back to a position where the operator can safely load bolts into the feed without having to pass in front of the machine into areas with an unsupported roof.



## + COP MD20 is more productive and more robust

The new generation of rock drills are more durable than ever, with improved penetration rate, drill steel economy, up to 30% less RDT consumption, less vibrations, higher hydraulic efficiency, up to 15% faster penetration rate than closest competitor and a recommended service interval of 1000 impact hours. This means more uptime, increased productivity and lower running cost.



## + Epiroc Rig Control System

The reloaded rig offers the latest Rig Control System, the fifth generation of the RCS, so as to simplify the operator's work and contribute to increased productivity. With a new intuitive interface, upgraded software and user-friendly environment, the aim is – as always – to create more productive conditions for rock drilling, and to improve drilling rate and drill steel economy.



## A comprehensive service offering

Even the best equipment needs to be serviced regularly to make sure it sustains peak performance. An Epiroc service solution offers peace of mind, maximizing availability and performance throughout the lifetime of your equipment. We focus on safety, productivity and reliability.

By combining genuine parts and an Epiroc service from our certified technicians, we safeguard your productivity – wherever you are.

## Technical specifications

● = Standard ○ = Option  
**A** - Boomer M1 **B** - Boomer M1 Battery **C** - Boomer M2 **D** - Boomer M2 Battery

Drilling system	A	B	C	D
COP 1638HD+	●	●	●	●
COP 1838HD+	○	○	○	○
COP 2238HD+	○	○	○	○
COP 3038*			○	○
COP MD20			○	○
Hole blowing kit	●	●	●	●
Water mist flushing, external water and air supply**	○	○	○	○
Water mist flushing, external water, internal air supply**	○		○	
Rock drill lubrication warning kit	●		●	
Lubrication air filtration system	○		○	

\* Requires RCS and may require a larger electrical motor

\*\* Not in combination with COP 3038

Boom	A	B	C	D
BUT 35 SL	●	●	●	●
BUT 36 S T	○	○	○	○
Automatic boom lubrication for positioning unit	○	○	○	○

Feed	A	B	C	D
BMH 6000-Series 12 ft, 14 ft, 16 ft, 18 ft	●	●	●	●
Telescopic feed BMHT 6000-series (max 18 ft)	○	○	○	○
Extension drilling set BSH 110 (BMH feeds only)	○	○	○	○
Rod Adding System, RAS (BMH feeds only)*	○	○	○	○
Water spraying kit on cradle	○	○	○	○

\* Not in combination with COP 3038, Max 14 ft feed

Air/watersystem	A	B	C	D
Hydraulically driven screw compressor Atlas Copco GA 5	●	●	●	●
Hydraulically driven screw compressor Atlas Copco GA 30*	○	○	○	○
Hydraulic water booster pump, max capacity at 15 bar boost 200 L/min. Minimum water inlet, 2 bar at 200 L/min**	●	●	●	○
Hydraulic water booster pump, max capacity at 30 bar boost 400 L/min. Minimum water inlet, 2 bar at 400 L/min**		○	○	○
Electric driven water booster pump, max capacity at 15 bar boost 300 L/min. Minimum water inlet, 2 bar at 200 L/min**		●		●
Water hose reel	○	○	○	○
Water hose (Ø1.5 inch 70 m)	○	○	○	○

\* Might require a larger electrical motor

\*\* Depending on selected rock drill

Hydraulic system	A	B	C	D
Low oil level indicator	●	●	●	●
Oil temperature gauge on oil tank, electronically supervised	●	●	●	●
Filtration 16 µm	●	●	●	●
Oil filter indicator	●	●	●	●
Extra filtration package for water and fine particle removal	○	○	○	○
Mineral hydraulic oil	●	●	●	●
Biodegradable hydraulic oil	○	○	○	○
Electrical oil filling pump	●	●	●	●
Heater kit for hydraulic oil tank, diesel engine and electric motors	○	○	○	○
Ni-Cr plated piston rods (limitations exist)	○	○	○	○

Control system	A	B	C	D
Direct Control System 2 (DCS2)	●		●	
Feed Angle Measurement, FAM 1	○		○	
Feed Angle Measurement with hole depth, FAM 2	○		○	
Epiroc Rig Control System (RCS 5)	○	○	○	○
Advanced Boom Control (ABC) Pure	●	●	●	●
Advanced Boom Control (ABC) Regular	○	○	○	○
Advanced Boom Control (ABC) Total	○	○	○	○
Measure While Drilling (MWD)	○	○	○	○
Underground Manager PRO (PC software)	●	●	●	●
Underground Manager MWD (PC software) for analysis of drill data	○	○	○	○
Bolt view	●	●	●	●
Two operator panels (for standing operation only)	○	○	○	○
Rig access control	●	●	●	●
Rig Remote Access (RRA), LAN or WLAN connection	○	○	○	○
Total station navigation	○	○	○	○
Certic Professional	○	○	○	○
Dynamic Tunneting Package (DTP)	○	○	○	○

Electrical system	A	B	C	D
Total installed power 83 kW, Main motors, Sf 115 75 kW	●	○		○
Total installed drilling power 118 kW, Main motors, Sf 115 2x55 kW*		●		●
Total installed power 158 kW, Main motors, Sf 115 2x75 kW			●	
Total installed power 198 kW, Main motors, Sf 1.3 2x95 kW**		○	○	○
Voltage 380-1 000 V 50/60 Hz	●	●	●	●
Voltage 690-1 000 V 50/60 Hz**		○		○
Starting method, star/delta (400-690 V)	●	●	●	●
Starting method, direct start (1 000 V)	●	●	●	●
Starting method soft start (not for 1 000 V)	○	○	○	○
Transformer 8 kVA	●	●	●	●
Transformer for charging 100 kW		●		●
Electronic overload protection for electric motors	●	●	●	●
Digital voltmeter/ampere meter in electric cabinet	●	●	●	●
Percussion hour meter on operator display	●	●	●	●
Phase sequence and eart fault indicator	●	●	●	●
Cable reel, diameter 1 600 mm	●	●	●	●
Electric outlet for accessories, 16 A (CE)/32 A (CE) (380-690 V)	○	○	○	○
Extra transformer 3-phase, 15 kVA (230/400 V outlet) (690-1 000 V)	○	○	○	○
PC4 or PC5 plug	○	○	○	○
Battery charger	●	●	●	●
Dual controls for cable reel	●	●	●	●
Stainless steel electrical enclosure	○	○	○	○
Electric system 24 V	●	●	●	●
24 V Batteries 2x125 Ah	●	●	●	●
700 V Battery 280 Ah		●		●
Tramming lights 8x22 W LED	●	●	●	●
Working lights 4x150 W, 24 V DC	●	●	●	●
Illuminated stairs LED	●	●	●	●

\* Depending on selected rock drill

\*\* When equipped with COP 3038

# Technical specifications

● - Standard ○ - Option  
**A - Boomer M1 B - Boomer M1 Battery C - Boomer M2 D - Boomer M2 Battery**

Carrier	A	B	C	D
Deutz TCD 2013 L04, Stage IIIA/Tier 3, 120 kW	●	○	●	○
Deutz TCD 4.1 L04, Stage V/Tier 4F, 115 kW	○	○	○	○
Deutz TCD 6.1 L06, CN4, 129 kW	○	○	○	○
Traction motor, 150 kW	○	●	○	●
Articulated steering ±41° steering angle*	●	●	●	●
TCD 4.1 stage 5 alternative	○	○	○	○
Four-wheel drive	●	●	●	●
Hose/cable guiding at water/cable reel	○	○	○	○
Dana 113 (short) axle	●	●	●	●
Automatic differential lock on axles, limited slip	●	●	●	●
Tires 12.00xR24	●	●	●	●
Clearance outside axles 13' rear, 22' front	●	●	●	●
Fuel tank, volume 110 l	●	○	●	○
Central lubrication system	●	●	●	●
Fire suppression system ANSUL (Manual, checkfire or automatic)	○	○	○	○
Fire suppression system FORREX (Automatic)	○	○	○	○
Rig washing kit	○	○	○	○
Manual lubrication kit	○	○	○	○
Boot washing kit	○	○	○	○
Hydraulic Swellex pump type H1 for manual installation	○	○	○	○
Hydraulic outlet for charging with Mini SSE	○	○	○	○

\*If RHS E or SP2 service platform is equipped the steering angle will be reduced to 30°

Protective roof	A	B	C	D
Mounting height -80 mm/+310 mm	○	○	○	○
Manual spotlight, left and/or right	○	○	○	○
Two operator panels (for standing operation only)	○	○	○	○
Swingable seat for drilling and tramping (one operator panel only)	○	○	○	○

Cabin (optional)	A	B	C	D
ROPS and FOPS certified cabin, noise level <80 dB(A)	●	●	●	●
Mounting height -140/+250 mm	○	○	○	○
Low profile cabin -150 mm	○	○	○	○
Air conditioning unit	●	●	●	●
Heating function for air conditioning (water transferred)	○	○	○	○
12 V outlet for communication radio	○	○	○	○
Electrical heater, 1.2 kW, 230 V (CE)	○	○	○	○
Electrical heater, 10 kW, 700 V (CE)	○	○	○	○
Reversing camera with monitor	○	○	○	○
Fixed seat	●	●	●	●
Swingable seat for drilling and tramping	○	○	○	○
Cabin body made of stainless steel	○	○	○	○
Joystick-controlled spotlights left and/or right, 70 W	○	○	○	○
Front window 22 mm (P8B safety classed)	●	●	●	●
Media player	○	○	○	○

Drifter rods	Rock drill	Rod	Min. hole diameter (mm)
	COP 1838	SR35-H35-T38 Speedrod	38
	COP 2238	SR35-H35-T38	38
	COP MD20	SR35-R39-T38	38
	COP 3038	SR35-R39-T38	45

Extension rods for injection drilling/RAS	Rock drill	Rod	Min. hole diameter (mm)
	COP 1838	Rnd 32 Speedrod	38
	COP 2238	Rnd 39 Speedrod	38
	COP MD20		
	COP 3038	TC42-R39-TC42 Speedrod	64

Shank adapters	Rock drill	Rod	Min. hole diameter (mm)
	COP 1838	R38	38
	COP 2238	T38	38
	COP MD20	R32*	38
	COP 3038	TC42 (conical T-thread)	45

\*Intended for RAS and extension drilling with BSH 110

Couplings	Rock drill	Rod	Diameter (mm)	Length (mm)
	COP 1838	R38	55	170
	COP 2238	T38	55	170
	COP MD20			
	COP 3038	TC42/T38	57	175

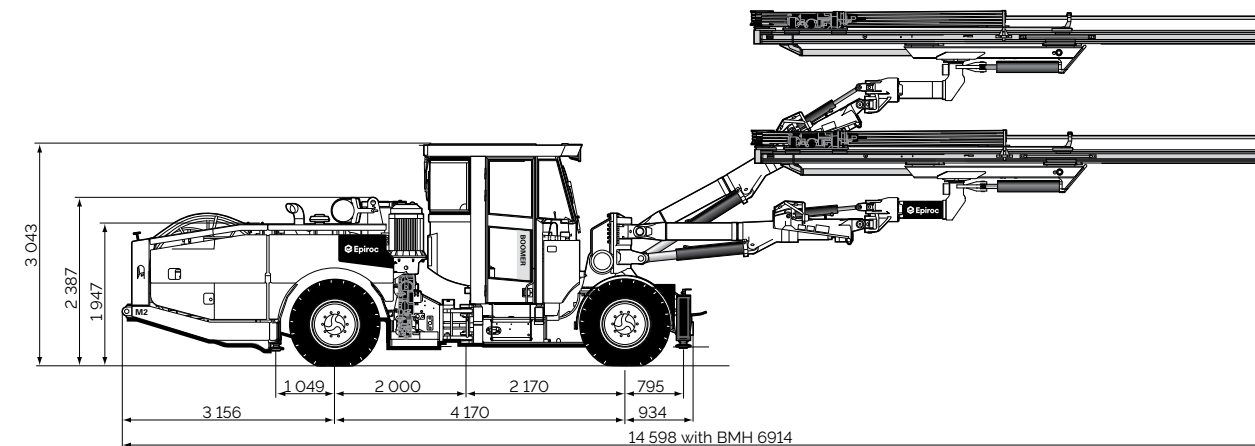
Recommended cable size and length	Voltage	Type	Dimension (mm²)	Diameter (mm)	Length (m)	Rock drill
	380-400 V	Buflex	3x185+3G35	56	90	COP 1838/2238
	440-500 V	Buflex	3x150+3G25	52	100	COP 1838/2238
	550 V	Buflex	3x120+3G25	46	120	COP 1838/2238
	660-690 V	Buflex	3x95+3G16	45	150	COP 1838/2238
	660-690 V	Buflex	3x150+3G25	52	100	COP 3038
	1 000 V	Buflex	3x50+3G10	33	200	COP 1838/2238
	1 000 V	Buflex	3x95+3G16	45	150	COP 3038

Recommendations are given for surrounding temperature of 40°C and up to a height of 2 000 m. Cable dimension for battery version depends on charging cycle.

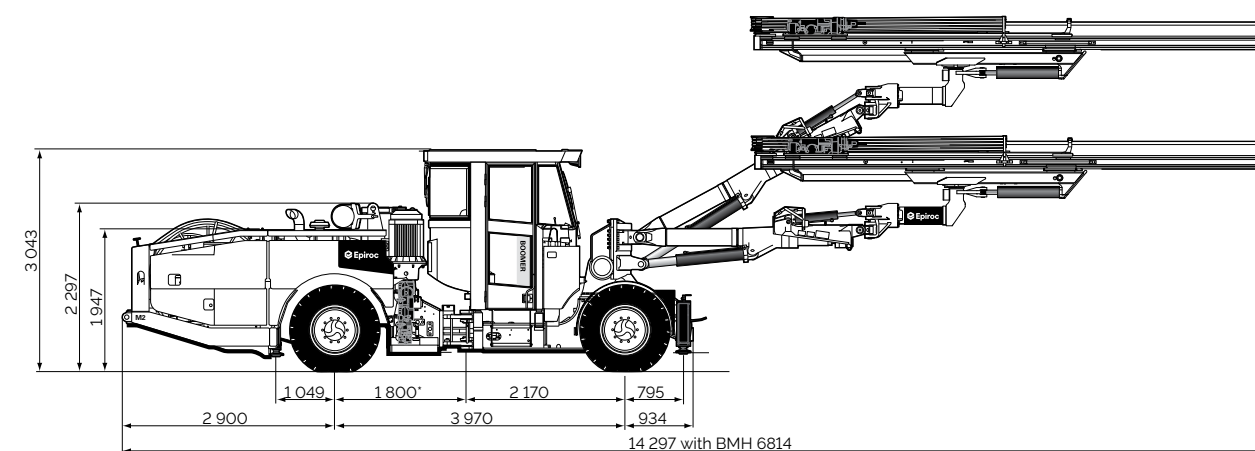
Noise and vibration	Operator sound pressure level in canopy, drilling, free field (ISO 11201)	Operator sound pressure level in cabin, drilling, free field (ISO 11201)	Operator sound pressure level working close to machine, drilling, free field	Sound power level (ISO 3744), drilling, free field	Vibration levels seated, drilling (ISO 2631-1) cabin	Vibration levels standing, drilling (ISO 2631-1) cabin
	104±6 dB(A) re 20 uPa	75±3 dB(A) re 20 uPa	104±6 dB(A) re 20 uPa	128 dB(A) re 1 pW'	0.07±0.07 m/s²	0.07±0.07 m/s²
	131 dB(A) re 1 pW when equipped with COP 3038					

# Technical specifications

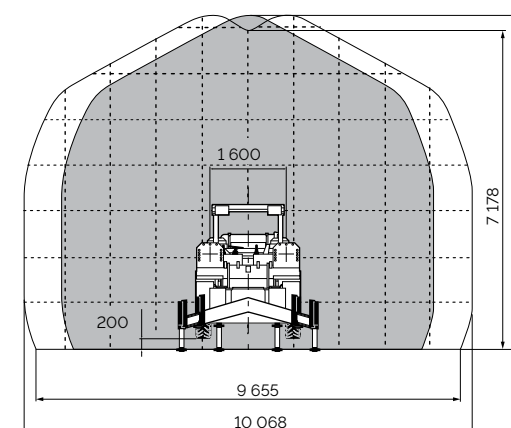
Dimensions in millimeters



Boomer M2 Battery equipped with COP 1838.



Boomer M2 equipped with COP 3038.  
 \* COP 3038 adds 200 mm.



■ One boom rig  
 □ Two boom rig

Boomer M-series, coverage area.

Dimensions	Width	Height with cabin	Height roof up/down	Length with BMH 6814 feed(s)	Ground clearance	Turning radius outer/inner (Equipped with COP 1838)	Turning radius outer/inner (Equipped with COP 3038)
	2 245 mm	3 179 mm	3 019/2 324 mm	14 297 mm	260 mm	7 500/4 400 mm	7 200/4 400 mm

Tramming speed	On flat ground (rolling resistance 0.05)'	On incline 1:8
	>15 km/h	>5 km/h

' Electric driveline >12 km/h

Gross weight (depending on configuration)			
Rig type	Total	Boom side	Engine side
One boom rig	18 000-20 000 kg	9 000-11 000 kg	9 000 kg
Two boom rig	23 000-29 000 kg	17 500-19 000 kg	6 000-10 000 kg



9869.0080.01F, 2022-02, Orebro, Sweden. Legal Notice: © Copyright, 2022, Epiroc Rock Drills AB, Orebro, Sweden. All product names in this publication are trademarks of Epiroc. Any unauthorized use or copying of the contents or any part thereof is prohibited. Illustrations and photos may show equipment with optional extras. No warranty is made regarding specifications or otherwise. Specifications and equipment are subject to change without notice. Consult your Epiroc Customer Center for specific information.

# United in performance. Inspired by innovation.

Performance unites us, innovation inspires us, and commitment drives us to keep moving forward. Count on Epiroc to deliver the solutions you need to succeed today and the technology to lead tomorrow.  
**[epiroc.com](http://epiroc.com)**

