

Boomer M1 L

Single-boom face drilling rig for low to medium drifts and tunnels with cross sections up to 36 m²



High productivity in lower tunnels

The Boomer M1 L is a hydraulic face drilling rig for low-vein mining. The rig is ideally suited to drifts or tunnels 2.2–2.5 meters in height, with cross sections of up to 36 m². This sturdy rig features a burly BUT 29 boom and a COP rock drill for optimal productivity. The Boomer M1 L also comes equipped with a reliable direct control system and has been built to withstand plenty of wear and tear, day in and day out.

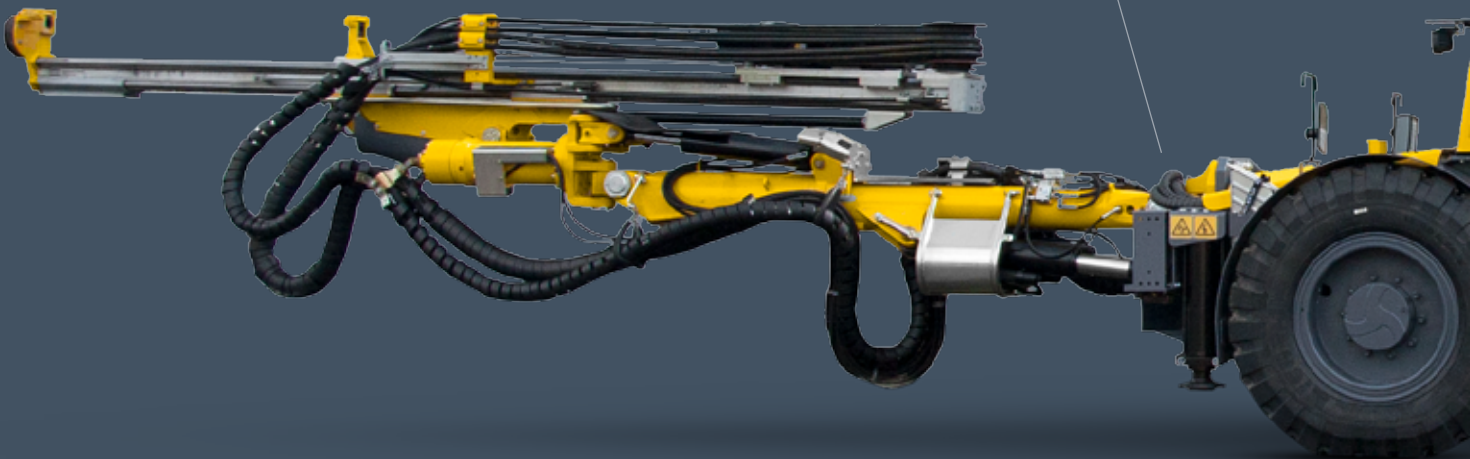
+ Main benefits

High performance in rough conditions thanks to excellent ground clearance and robust frame and axles to support wearing, oversized wheels

Outstanding drill steel economy with the COP 1638HD+, COP 1838HD+ and COP 2238HD+ rock drills that feature dual damping for efficient, high-speed drilling and greater drill steel longevity

Safety, comfort and surveillance thanks to the ergonomically designed FOPS/WUG certified cabin which ensures safety and comfort of the operator while providing excellent visibility

Boom dampening increases life length of boom and rig



Large operator cabin

Oversized axles and wheels



Strongest in its class

Specialized for work in low drifts and tunnels with cross sections up to 36 m², Boomer M1 L – only 1.8 meters tall – is the most durable rig in its class on the market. The sturdy carrier features an impressive tramming speed, and forges ahead even in the toughest conditions. The rig is equipped with a heavy-duty aluminium feed with high bending and torsional resistance for maximum durability.



+ Certified power and performance

The rig is powered by a 4-cylinder diesel engine that concurrently offers powerful performance and low emissions to reduce environmental impact. The rig engine is available with stage IIIA and IIIB compliance to conform to emission requirements in different jurisdictions.



+ Easy to operate and maintain

The Boomer M1 L operator enjoys an ergonomically designed cabin with a user-friendly interface to easily monitor and control all functions of the rig. The rig's design also provides straightforward access to all service points for easy maintenance.



+ The COP 1800HD+ series

Rock drills in the COP 1800HD+ series feature a sturdy four-head bolt design with separate lubrication of driver and gear. Pressurized side bolts and mating surfaces also contribute to reliable operation, low maintenance costs and long intervals between overhauls. The variable and reversible stepless rotation motor ensures high torque with exceptional speed control.



A comprehensive service offering

Even the best equipment needs to be serviced regularly to make sure it sustains peak performance. An Epiroc service solution offers peace of mind, maximizing availability and performance throughout the lifetime of your equipment. We focus on safety, productivity and reliability.

By combining genuine parts and an Epiroc service from our certified technicians, we safeguard your productivity – wherever you are.

Drilling system

COP 1638HD+	○
COP 1838HD+	●
Water mist flushing, internal water and air supply	○
Hole blowing kit	○
Rock drill lubrication warning kit	●
Big hole drilling system	●
Drill stop*	○
Air drier ECL oil rock drill	
*Mandatory for CE	

Boom

BUT 29R	●
Automatic boom lubrication kit (rear part of the boom)	○
Boom suspension system	○
Boom parallel holding override system	○

Feed

BMH 2831, drill steel length 3 090 mm	○
BMH 2837, drill steel length 3 700 mm	○
BMH 2840, drill steel length 4 000 mm	○
BMH 2845, drill steel length 4 310 mm	○
BMH 2044 Rotation, drill steel length 4 400 mm	○
Telescopic feed BMHT 2000-series (max 4.3 m)	○
Extension drilling set BSH 110 (BMH feeds only)	○
Bulk head style hose tree on feeds	○
Mining (heavy-duty) centralisers	○
Dovel spacer BMH2000	○

Air/water system

Hydraulic water booster pump capacity at 12 bar, 66 L/m	●
Compressor: Atlas Copco LE7	●
Water hose reel, including water hose, 1" 100 m	○
Water hose reel, including water hose, Steel reinforced 1" 80 m	○
Aggressive water resistant flush	○
*When equipped with COP 1838 a 99 kW powerpack is required.	

Hydraulic system

Low oil level indicator	●
Oil temperature meter	●
Filtration 16 µm	●
Oil filter indicator	●
Mineral hydraulic oil	●
Electric oil filling pump	●
Water/oil cooler	●
Air/oil cooler	○
Heater for hydraulic oil tank	○
Hydraulic oil thermostat	●
Ni-Cr plated piston rods (limitations exist)	○
Biodegradable hydraulic oil	○

Control system

DCS2	●
Feed Angle Measurement with hole depth, FAM 3	○

Electrical system

Total installed power 59 kW	●
Main motors 55 kW	●
Voltage 380-1 000 V	●
Frequency 50-60 Hz	○
Dual voltage 500/1 000 V 50 Hz	○
Starting method star/delta 380-690 V, direct start 1000 V	●
Starting method - soft start (not for 1000 V)	○
Transformer 4 kVA	●
Electronic overload protection for electric motors	●
Percussion hour meter	●
Digital volt/ampere meter in electrical cabinet	●
Phase sequence and eart fault indicator	●
IP56 rating on all electrical cabinets/boxes (Except diesel starter motor and alternator)	●
Battery remote switch	●
Battery charger	●
Dual controls for cable reel	●
Electrical cable (Buflex)	○
Connector	○
Plug PC4/PC5	○
Socket PC4/PC5	○
Switch gear	○
Electric outlet for accessories, 16 A (CE)/32 A (CE) (380-690 V)	○

Carrier

Deutz TD 3.6 L04 3B/Tier 4 Water cooled	●
Articulated ±40° steering angle	●
Four wheel drive	●
Electrical system 24 V	●
Batteries 2x12 V, 70 Ah	●
Working lights, 6x40 W LED, 24 V DC	●
Tramming lights, 8x35 W Xenon, 24 V DC	●
Colored LED parking lights (white, red or green)	○
Automatic differential lock on front axle	●
Tires, 12.00xR24	●
Tubeless tires (Michelin X MINE D2)	●
Clearance outside axles rear 15"	●
Front and rear hydraulic jacks	●
Fuel tank volume, 110 l	●
Fire suppression system ANSUL (manual, checkfire or automatic)	○
Rig washing kit	○
Handheld fire extinguisher 1x6 Kg	○
Approved for ambient temperature ≤50°C	●

Cabin

FOPS and WUG (60 kJ) approved airconditioned cabin, noise level <85 dB(A)	●
Cabin mounting height 125 mm	○
Media player	●
Rear view camera with display	○
Joystick controlled spot light, 70 W (left and right side)	●
Swingable seat	●
Air fan for operator	○
Air condition, cooling only	●
12 V outlet	●

Drill rods

Dimension	Minimum hole diameter
R38-H35-R32	45 mm
R38-H35-SR35 Speedrod	45 mm
T38-H35-R32	45 mm
T38-H35-R32 Speedrod	45 mm
T38-H35-SR35	45 mm
T38-H35-R35	48 mm
T38-H35-R35 Speedrod	48 mm
T38-R39-R35	48 mm
T38-R39-SR35	45 mm
T38-R38-R35	48 mm

Extension rods for injection drilling/RAS

Dimension	Minimum hole diameter
R32 Speedrod	51 mm
T38 Speedrod	64 mm

Shank adapters

Thread	Diameter	Length
R38	38 mm	435 mm
T38	38 mm	435 mm
R32	38 mm	525 mm
T38	38 mm	525 mm

Couplings

Thread	Diameter	Length
R38	55 mm	170 mm
T38	55 mm	190 mm

Recommended cable sizes and lengths (75 kW)

Voltage	Dimension, mm ²	Diameter, mm	Length, m
380-440 V	3x50+3G10+2x1.5	50	80
500 V	3x35+3G6+2x1.5	35	80
550 V	3x35+3G6+2x1.5	35	120
660-1 000 V	3x35+3G6+2x1.5	35	140

Recommendations are given for surrounding temperature of 40°C.

Recommended cable sizes and lengths (55 kW)

Voltage	Dimension, mm ²	Diameter, mm	Length, m
380-400 V	3x50+3G10+2x1.5	50	120
440 V	3x50+3G10+2x1.5	50	120
500-1 000 V	3x35+3G6+2x1.5	35	200

Recommendations are given for surrounding temperature of 40°C.

Dimensions

Width	2 400 mm
Height cabin	1 800 mm
Length with BMH 2837 feed	13 570 mm
Ground clearance	378 mm
Turning radius outer/inner	6 550/3 800 mm

Weight

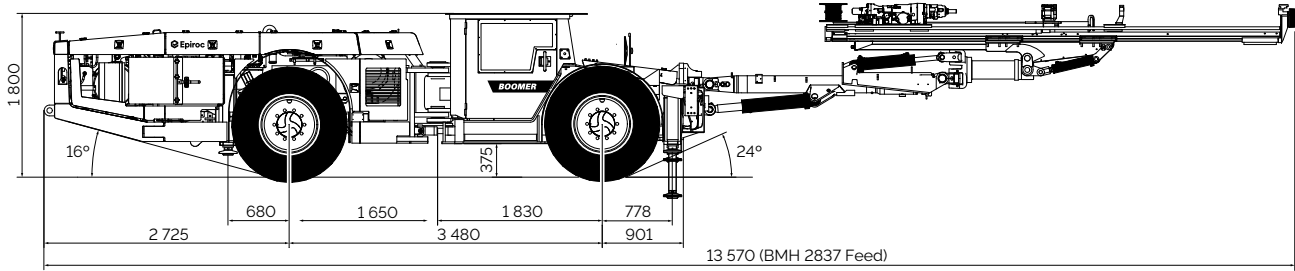
Total	16 500 kg
Boom side	9 000 kg
Engine side	7 500 kg

Noise and vibration

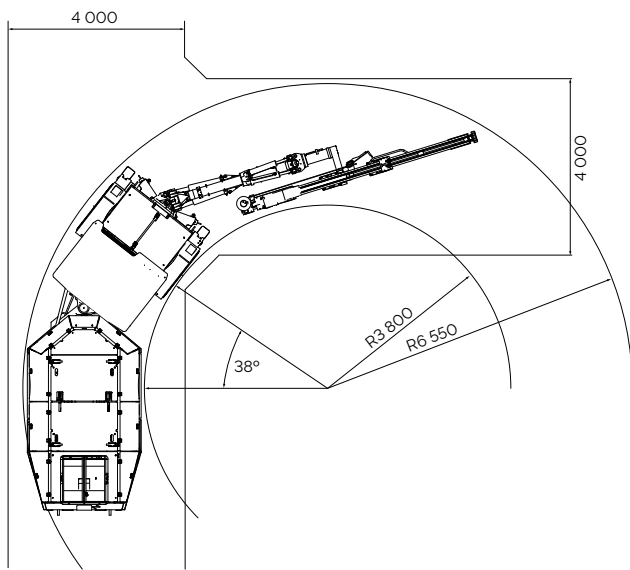
Operator sound pressure level in cabin, drilling, free field (ISO 11201)	75±3 dB(A) re 20 uPa
Operator sound pressure level working close to machine, drilling, free field	103±6 dB(A) re 20 uPa
Sound power level (ISO 3747), drilling, free field	123 dB(A) re 1 pW
Peak C-weighted instantaneous sound pressure level (EN16228)	Less than 130 dB
Vibration levels seated, drilling (ISO 2631-1) cabin	0.07±0.07 m/s ²
Vibration levels standing, drilling (ISO 2631-1) cabin	0.07±0.07 m/s ²

Technical specifications

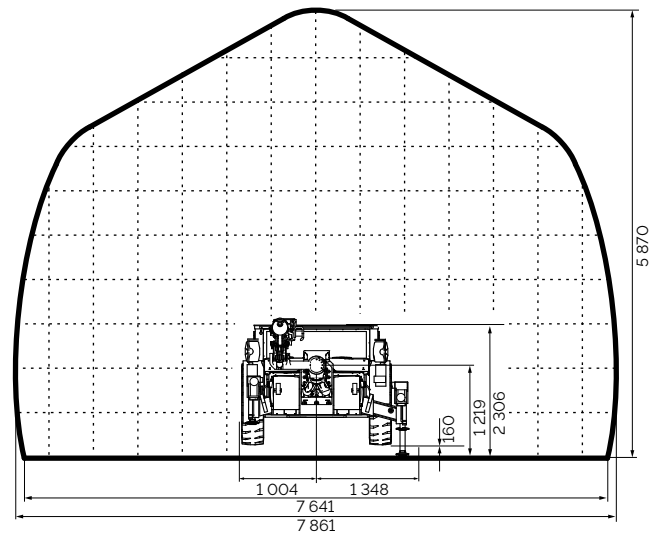
Dimensions in millimeters



Dimension illustration (optional equipment mounted).



Coverage area.



Turning radius.

United in performance. Inspired by innovation.

Performance unites us, innovation inspires us, and commitment drives us to keep moving forward. Count on Epiroc to deliver the solutions you need to succeed today and the technology to lead tomorrow.
epiroc.com

