

# SB 1102

---

## Spare parts list Hydraulic breakers

SB 1102 s/n BES059443 –



# General information

This spare parts list applies to the following:

Part number	Description
8460030090	SB 1102
8460030094	SB 1102 HATCON
8460030097	SB 1102 HATCON LTE

Use only authorized parts. Any damage or malfunction caused by the use of unauthorized parts is not covered by Warranty or Product Liability. Any unauthorized use or copying of the contents or any part thereof is prohibited. This applies in particular to trademarks, model denominations, part numbers, and drawings.

## Instructions for use

This spare parts list contains no safety regulations and is merely intended to assist in the ordering of spare parts.

For information about operating, servicing, or repairing, the relevant Safety and operating instructions must be consulted at all costs.

Please observe the safety instructions listed in the relevant Safety and operating instructions!

**Service, repair and wear part kits**

Label kit ..... 1  
Seal kit ..... 3  
Lower hammer part kit ..... 5  
Accumulator repair kit ..... 7

**Mechanical**

Hydraulic breaker ..... 9  
Optional parts - Bushing oversize, complete ..... 13  
Optional parts - Restrictor, complete ..... 15  
Optional parts - Lower wear bush pressfitted, complete ..... 17  
HATCON (Horizontal) ..... 19  
Tightening torques ..... 21  
Dimensions ..... 23

**Options / accessories**

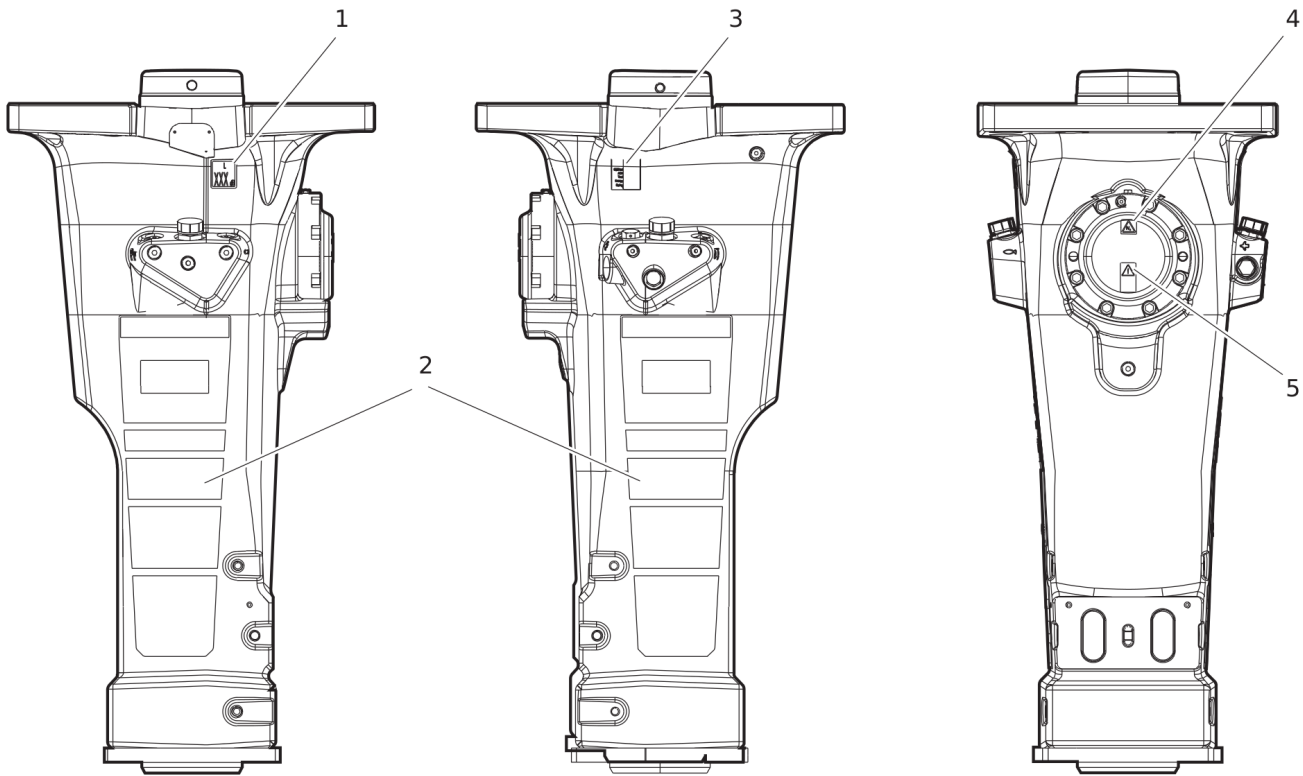
Hydraulic hoses ..... 24  
Optional equipment ..... 27  
Working tools ClassicLine ..... 29  
Working tools ProLine ..... 31

**Annex**

Environmental Product Compliance - REACH Declaration ..... 33



Service, repair and wear part kits Label kit

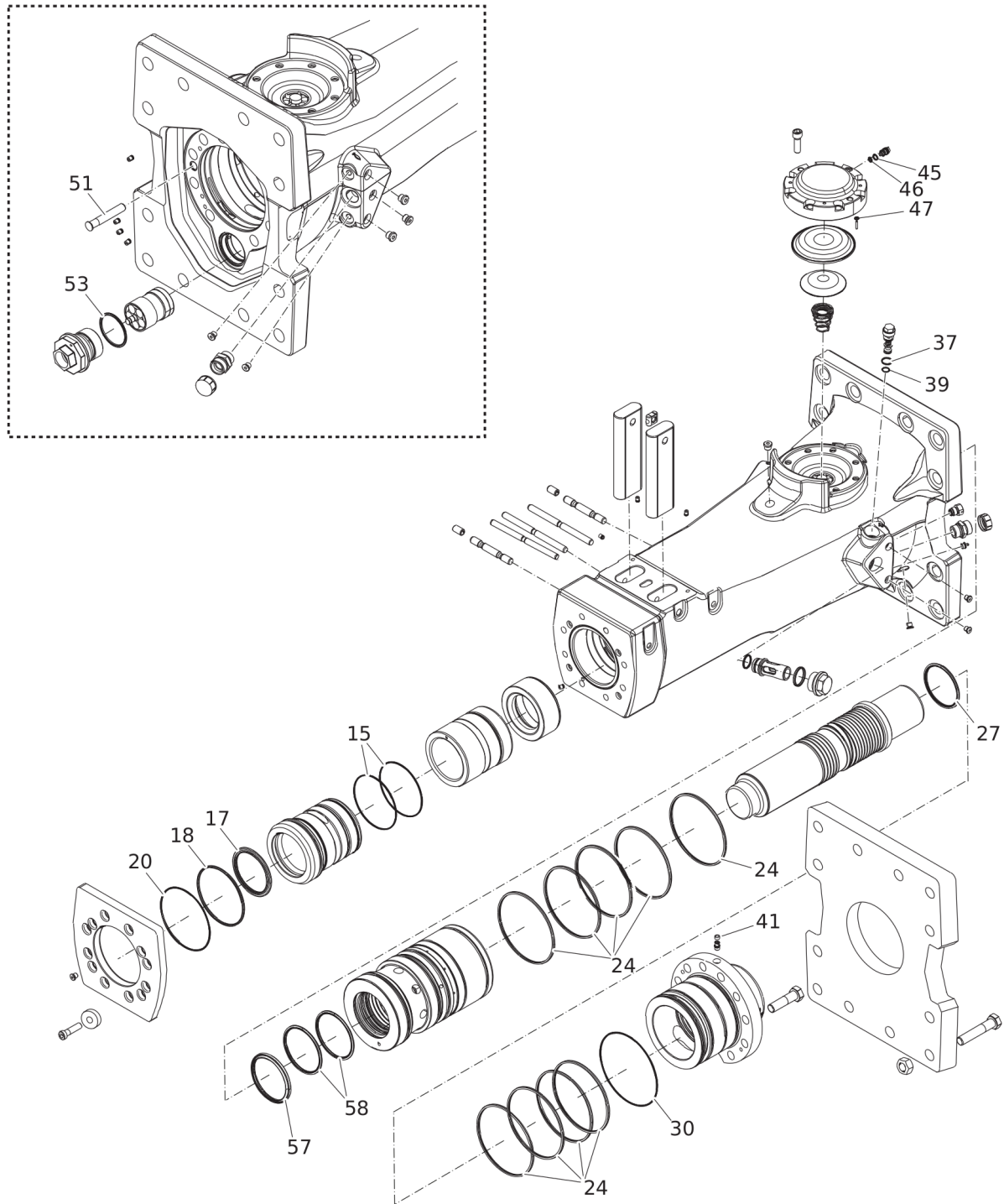


Item	Part No.	Name	Qty	L
KIT	3382070083	LABEL KIT	1	
1		SOUND POWER LABEL	1	
2		AEM SIGN	1	
3		PRODUCT LABEL	1	
4		SAFETY LABEL	1	
5		SAFETY LABEL	1	

Refer to the DocMine web page for most up-to-date information. The printed information might be outdated.

Thu Mar 14 08:28:16 UTC 2024

Service, repair and wear part kits Seal kit



Refer to the DocMine web page for most up-to-date information. The printed information might be outdated.

Thu Mar 14 08:28:17 UTC 2024

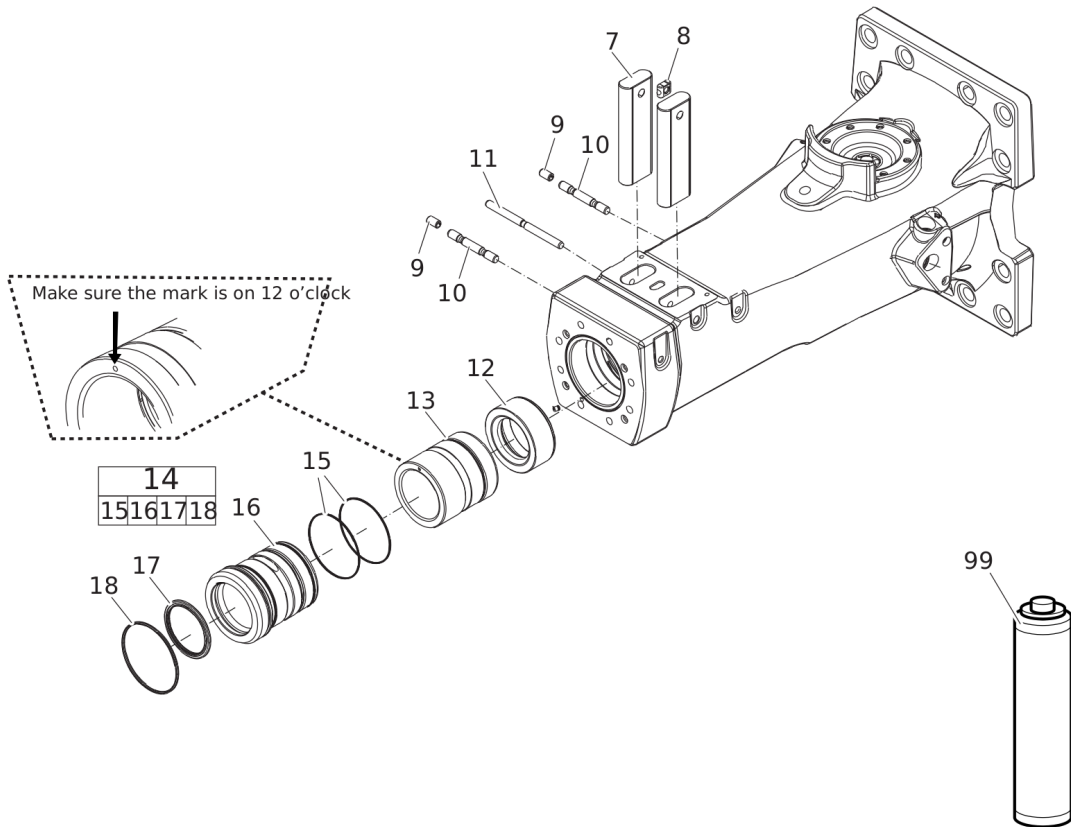
Item	Part No.	Name	Qty	L
KIT	3382070080	SEAL KIT	1	
15	0663212001	O-RING	2	
17	3315412200	SCRAPER RING	1	
18	0663212002	O-RING	1	
20	0663211999	O-RING	1	
24	0663990045	SEAL	9	
27	0665070175	PISTON ROD SEAL	1	
30	0663212003	O-RING	1	
37	0663910401	O-RING	1	
39	0663903201	O-RING	1	A
41	3315280800	VALVE RUBBER	1	
45	0663212000	O-RING	1	
46	3115329002	SEAL RING	1	
47	0663211400	O-RING	1	
51	3315412300	PLUG	1	
53	0663990049	STIRCOMATIC	1	
57	0665909971	WIPER	1	
58	0665070174	PISTON ROD SEAL	2	

Comments for Page: Seal kit

A | Ø 15.6 x 1.78 mm (Ø 0.61 x 0.07 in.)



Service, repair and wear part kits Lower hammer part kit



Refer to the DocMine web page for most up-to-date information. The printed information might be outdated.

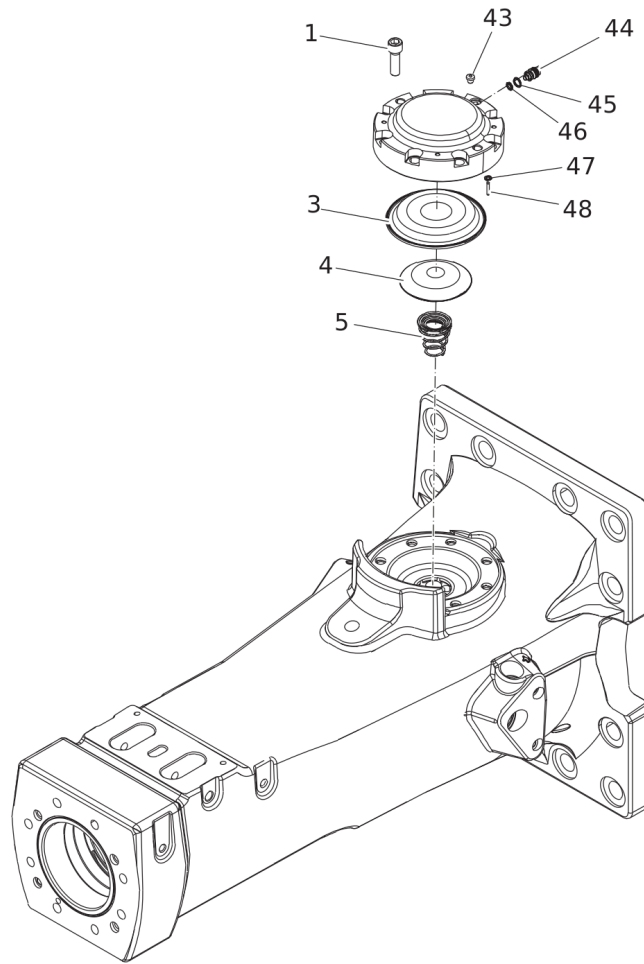
Thu Mar 14 08:28:17 UTC 2024

Item	Part No.	Name	Qty	L
KIT	3382070082	LOWER HAMMER PART KIT	1	
7	3315412100	RETAINER BAR	2	
8	3315141900	LOCK BUFFER	1	
9	0108110322	SPRING PIN	2	
10	3315395700	LOCKING PIN	2	
11	3315411800	LOCKING PIN	1	
12	3315411500	STOP RING	1	
13	3315411600	WEAR BUSH	1	
14(15-18)	3382070085	WEAR BUSH, complete	1	
15	0663212001	O-RING	2	
16		WEAR BUSH	1	
17	3315412200	SCRAPER RING	1	
18	0663212002	O-RING	1	
99		BIO CHISEL PASTE CARTRIDGE, 1 x 400 g (0.88 lbs)	1	

Refer to the DocMine web page for most up-to-date information. The printed information might be outdated.

Thu Mar 14 08:28:17 UTC 2024

Service, repair and wear part kits Accumulator repair kit



Refer to the DocMine web page for most up-to-date information. The printed information might be outdated.

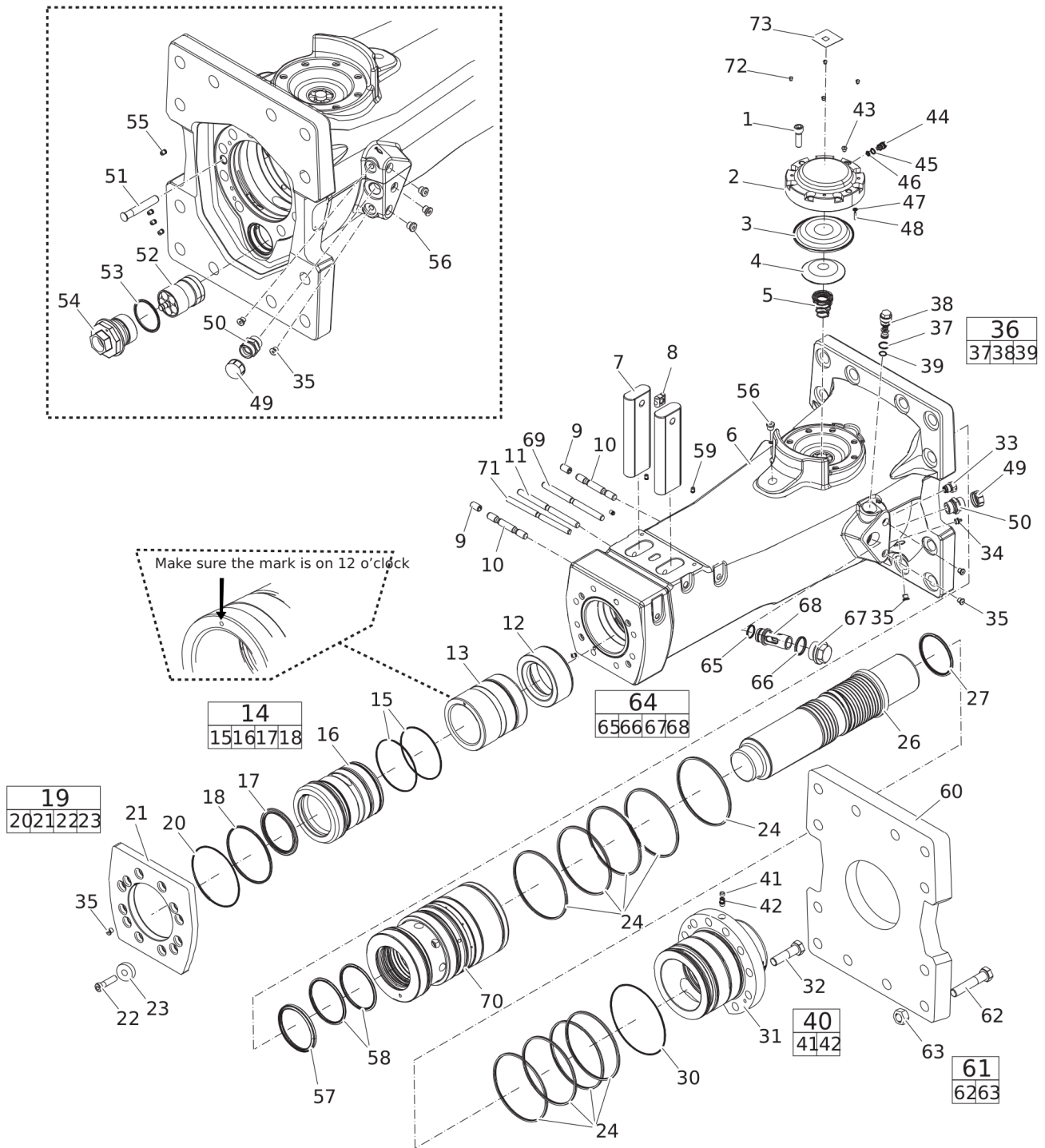
Thu Mar 14 08:28:17 UTC 2024

Item	Part No.	Name	Qty	L
KIT	3382070081	ACCUMULATOR REPAIR KIT	1	
1	0211196544	HEXAGON SOCKET SCREW	8	A
3	3315416300	DIAPHRAGM	1	
4	3315414200	DIAPHRAGM SUPPORT	1	
5	3315418800	COIL SPRING	1	
43	0686371805	PLUG	1	
44	3315366000	VALVE	1	
45	0663212000	O-RING	1	
46	3115329002	SEAL RING	1	
47	0663211400	O-RING	1	
48	0101414000	PIN	1	

Comments for Page: Accumulator repair kit

A | Screw with extra high fatigue strength.

Mechanical Hydraulic breaker



Refer to the DocMine web page for most up-to-date information. The printed information might be outdated.

Thu Mar 14 08:28:19 UTC 2024

Item	Part No.	Name	Qty	L
1	0211196544	HEXAGON SOCKET SCREW	8	A
2	3315414100	DIAPHRAGM COVER	1	
3	3315416300	DIAPHRAGM	1	
4	3315414200	DIAPHRAGM SUPPORT	1	
5	3315418800	COIL SPRING	1	
6	-	HAMMER BODY	1	
7	3315412100	RETAINER BAR	2	
8	3315141900	LOCK BUFFER	1	
9	0108110322	SPRING PIN	2	
10	3315395700	LOCKING PIN	2	
11	3315411800	LOCKING PIN	1	
12	3315411500	STOP RING	1	
13	3315411600	WEAR BUSH	1	
14(15-18)	3382070085	WEAR BUSH, complete	1	
15	0663212001	O-RING	2	
16		WEAR BUSH	1	
17	3315412200	SCRAPER RING	1	
18	0663212002	O-RING	1	
19(20-23)	3382070084	WEAR PLATE, complete	1	
20	0663211999	O-RING	1	
21		WEAR PLATE	1	
22	3315431101	HEXAGON SOCKET SCREW	8	
23	0333520027	LOCK WASHER	8	B
24	0663990045	SEAL	9	
26	3315411200	PISTON	1	
27	0665070175	PISTON ROD SEAL	1	
30	0663212003	O-RING	1	
31	3315411455	BACK HEAD	1	
32	0147163803	SCREW, HEX HEAD	10	
33	3363109435	NON RETURN VALVE	1	
34	3360433774	GREASE NIPPLE	1	
35	0686644207	PLUG	9	
36(37-39)	3315401100	PRESSURE RELIEF VALVE, complete	1	B, C
37	0663910401	O-RING	1	

Refer to the DocMine web page for most up-to-date information. The printed information might be outdated.

Thu Mar 14 08:28:19 UTC 2024

Item	Part No.	Name	Qty	L
38		PRESSURE RELIEF VALVE	1	
39	0663903201	O-RING	1	
40(41-42)	3315244881	CHECK VALVE, complete	1	
41	3315280800	VALVE RUBBER	1	
42		CHECK VALVE	1	
43	0686371805	PLUG	1	
44	3315366000	VALVE	1	
45	0663212000	O-RING	1	
46	3115329002	SEAL RING	1	
47	0663211400	O-RING	1	
48	0101414000	PIN	1	
49	0686925030	CAP	2	
50	0580001476	PIPE COUPLING	2	
51	3315412300	PLUG	1	
52	3315414000	VALVE	1	
53	0663990049	STIRCOMATIC	1	
54	3315413900	VALVE COVER	1	
55	0686100009	PLUG	8	
56	0686371801	PLUG	4	
57	0665909971	WIPER	1	
58	0665070174	PISTON ROD SEAL	2	
59	0686100009	PLUG	8	
60	3315415800	BASE PLATE	1	
61(62-63)	3315426602	BOLT KIT	1	
62	3315426600	SCREW	12	
63	0266113601	NUT	12	
64(65-68)	3315409703	RESTRICTOR, complete	1	
65	0663903201	O-RING	1	
66	0663910401	O-RING	1	
67	3315386500	RESTRICTOR PLUG	1	
68		RESTRICTOR, $\varnothing$ 8.4 mm (0.33 in.)	1	
69	0108169129	SPRING PIN, option	1	D
70	3315411380	LINER	1	
71	3315411810	LOCKING PIN, option	1	

Refer to the DocMine web page for most up-to-date information. The printed information might be outdated.

Thu Mar 14 08:28:19 UTC 2024

Item	Part No.	Name	Qty	L
72	3315439145	PROTECTIVE PLUG HATCON	4	
73		HATCON LABEL	1	

Comments for Page: Hydraulic breaker

(L)OCAL REMARKS

A | Screw with extra high fatigue strength.

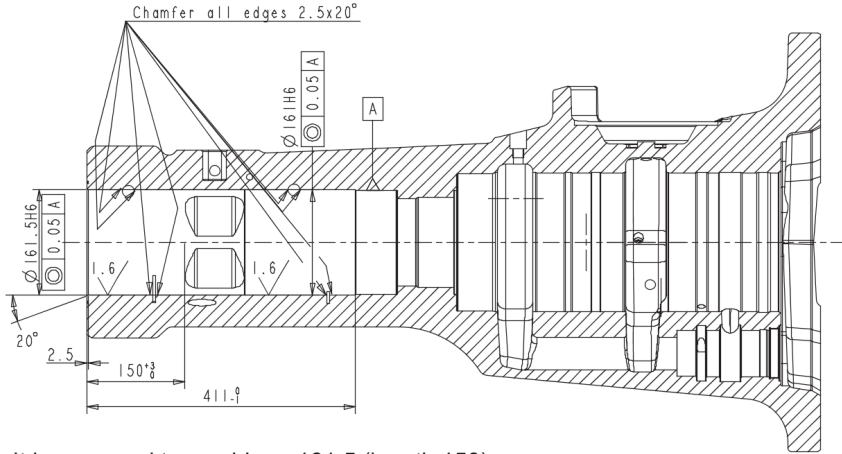
B | Optional, for heavy duty.

C | CAS No. see chapter "Environmental Product Compliance - REACH Declaration"

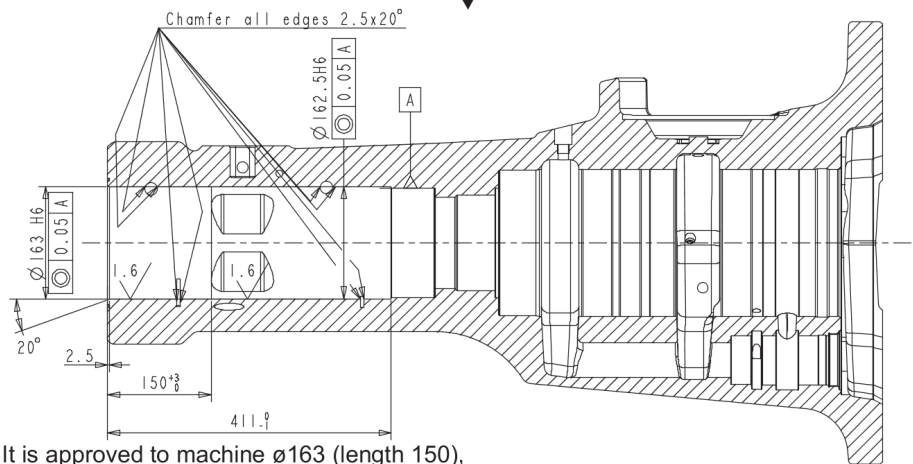
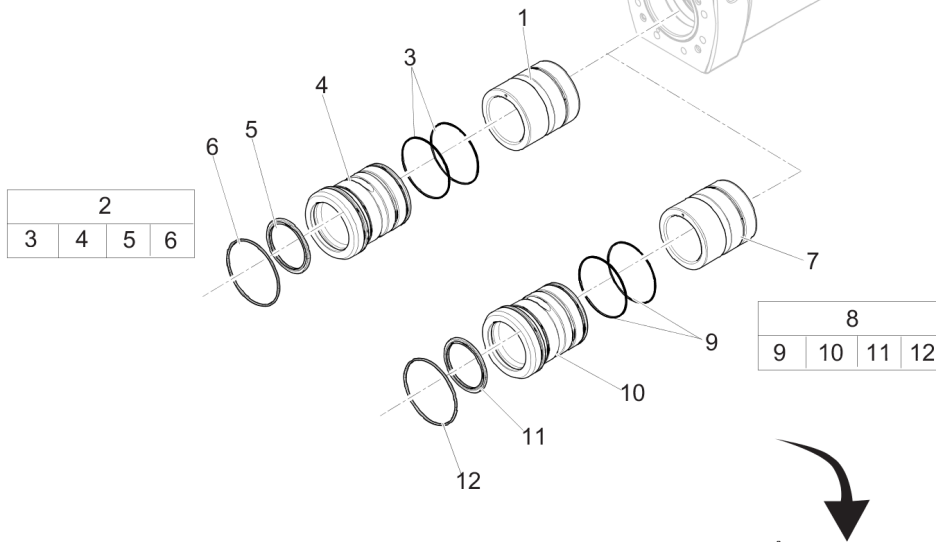
D | For hot environment only. No need to use Pos.8



Mechanical Optional parts - Bushing oversize, complete



It is approved to machine  $\varnothing 161.5$  (length 150), if oversized dimension bushing only is needed for the lower bushing.



It is approved to machine  $\varnothing 163$  (length 150), if oversized dimension bushing only is needed for the lower bushing.

Refer to the DocMine web page for most up-to-date information. The printed information might be outdated.

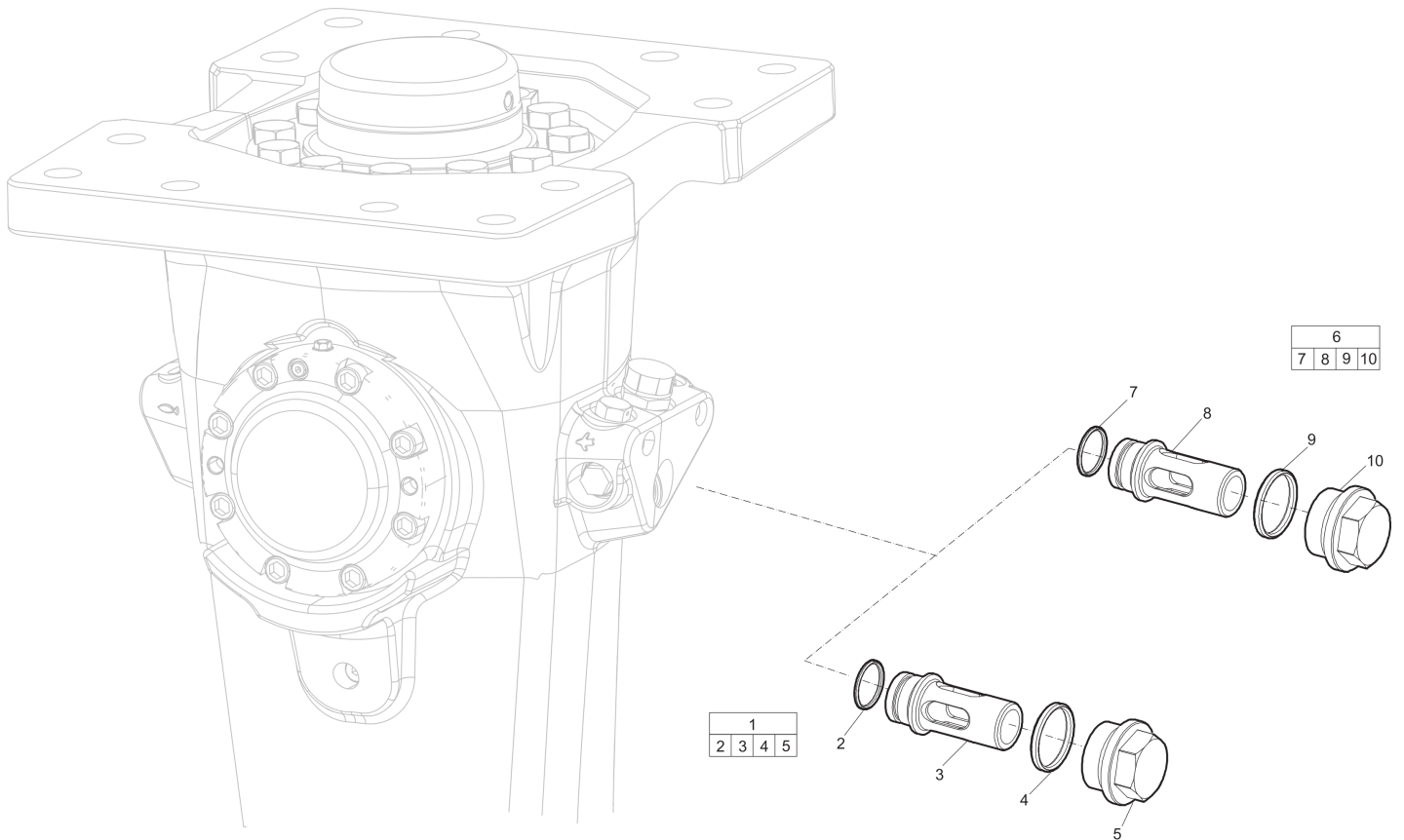
Thu Mar 14 08:28:19 UTC 2024

Item	Part No.	Name	Qty	L
1	3315411615	UPPER WEAR BUSH, ø 161 mm (ø 6.34 in.)	1	
2	3315432410	LOWER WEAR BUSH, complete	1	
3	0663212001	O-RING	2	
4		LOWER WEAR BUSH, ø 161.5 mm (ø 6.34 in.)	1	
5	3315412200	SCRAPER RING	1	
6	0663212002	O-RING	1	
7	3315411630	UPPER WEAR BUSH, ø 162.5 mm (ø 6.40 in.)	1	
8	3315432420	LOWER WEAR BUSH, complete	1	
9	0663212001	O-RING	2	
10		LOWER WEAR BUSH, ø 162.5 mm (ø 6.40 in.)	1	
11	3315412200	SCRAPER RING	1	
12	0663212002	O-RING	1	

Refer to the DocMine web page for most up-to-date information. The printed information might be outdated.

Thu Mar 14 08:28:19 UTC 2024

Mechanical Optional parts - Restrictor, complete



Refer to the DocMine web page for most up-to-date information. The printed information might be outdated.

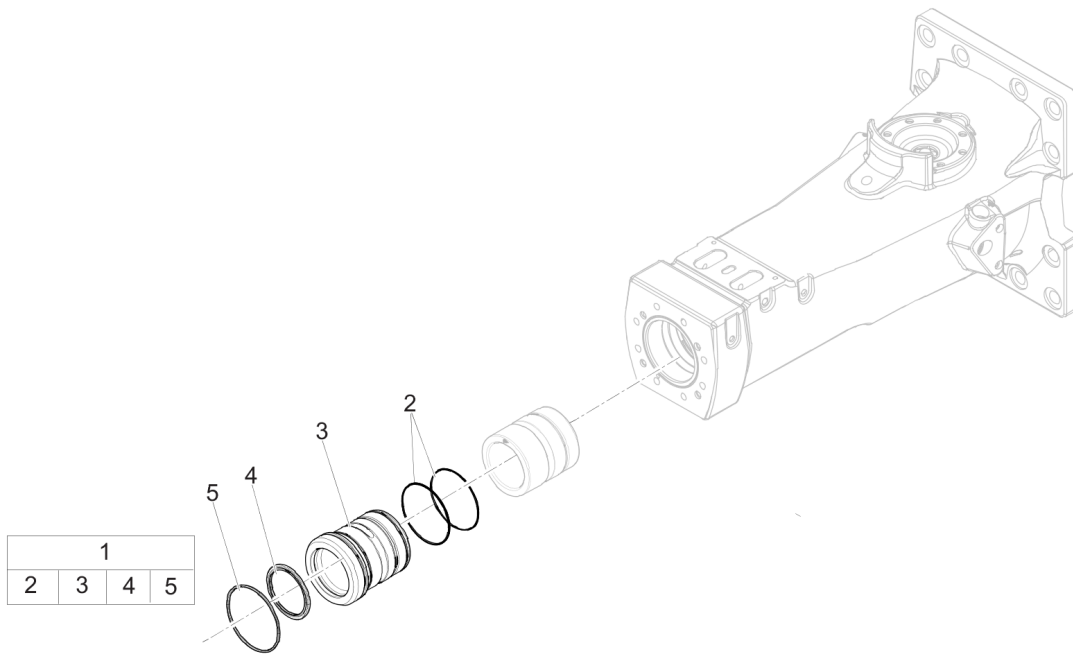
Thu Mar 14 08:28:20 UTC 2024

Item	Part No.	Name	Qty	L
1	3315432520	RESTRICTOR, complete	1	
2	0663903201	O-RING	1	
3		RESTRICTOR, $\varnothing$ 7.3 mm ( $\varnothing$ 0.29 in.)	1	
4	0663910401	O-RING	1	
5	3315386500	RESTRICTOR PLUG	1	
6	3315432530	RESTRICTOR, complete	1	
7	0663903201	O-RING	1	
8		RESTRICTOR, $\varnothing$ 8.9 mm ( $\varnothing$ 0.35 in.)	1	
9	0663910401	O-RING	1	
10	3315386500	RESTRICTOR PLUG	1	

Comments for Page: Optional parts - Restrictor, complete

For oil flow diagrams, please see Safety and operating instructions.

Mechanical Optional parts - Lower wear bush pressfitted, complete



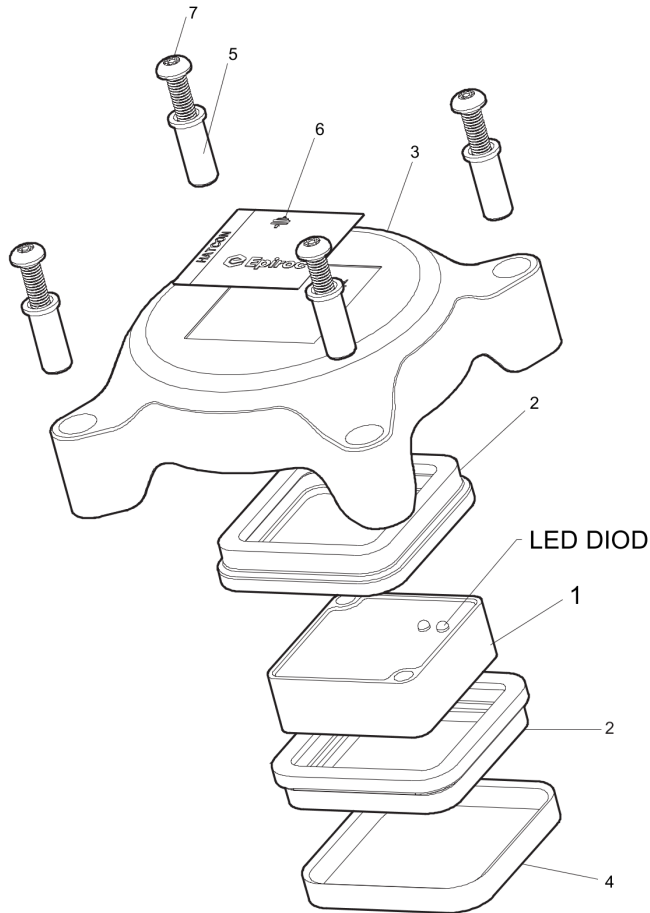
Item	Part No.	Name	Qty	L
1	3315432430	LOWER WEAR BUSH PRESSFITTED, complete	1	
2	0663212001	O-RING	2	
3		WEAR BUSH	1	
4	3315412200	SCRAPER RING	1	
5	0663212002	O-RING	1	

---

Refer to the DocMine web page for most up-to-date information. The printed information might be outdated.

Thu Mar 14 08:28:20 UTC 2024

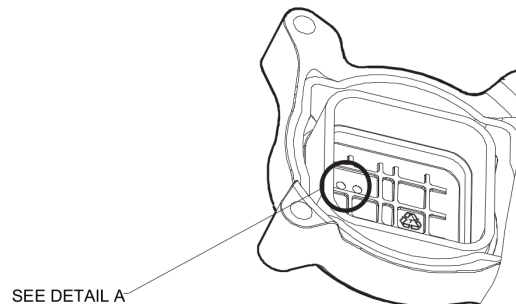
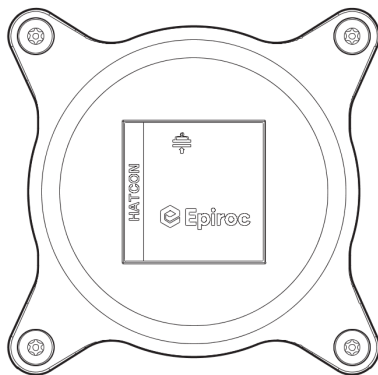
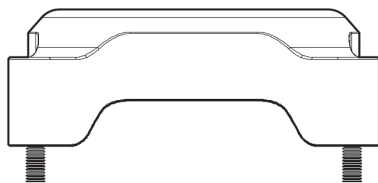
Mechanical HATCON (Horizontal)



DETAIL A



Horizontal mounted.  
Match diods on POS.1 to  
match the recess marked H on POS .3



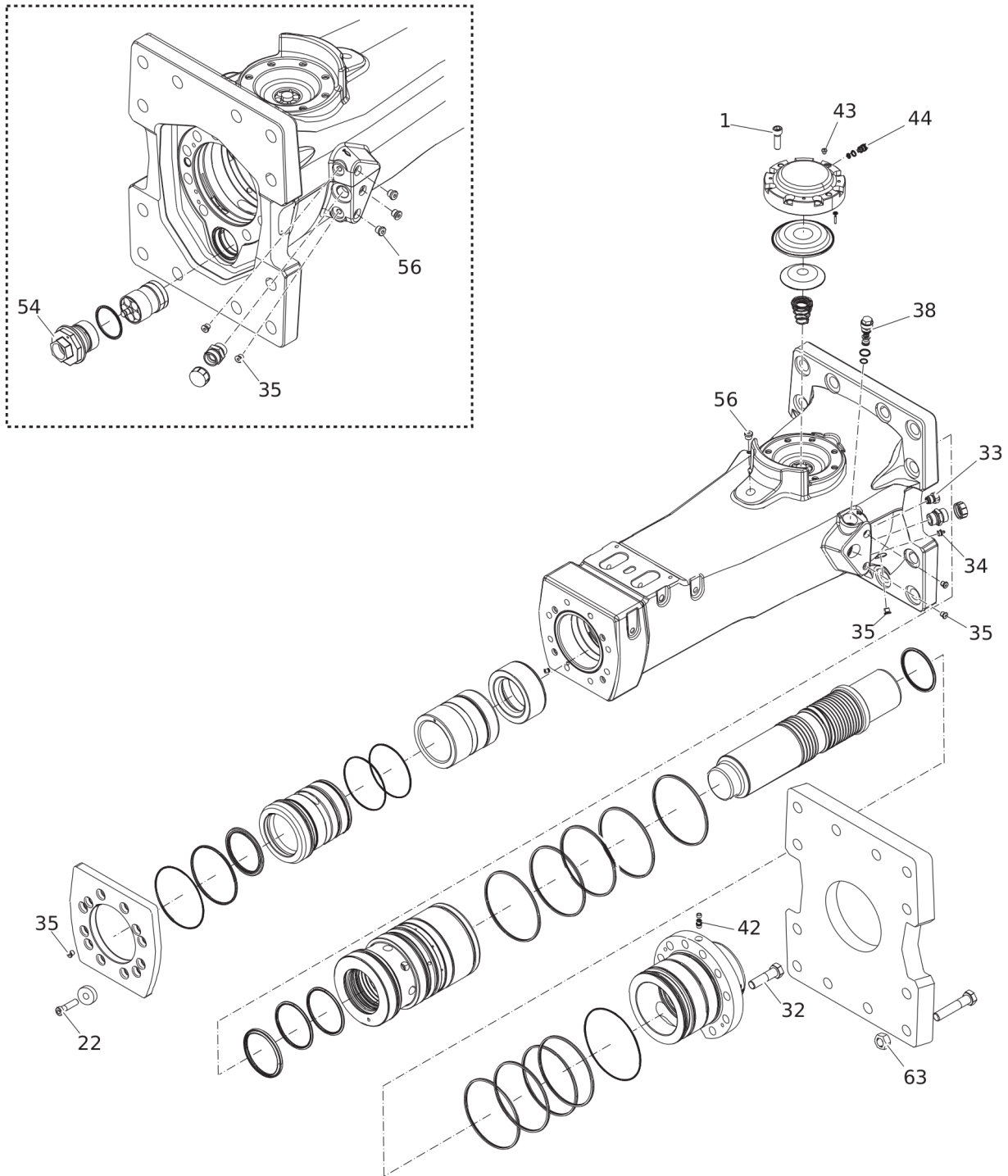
Item	Part No.	Name	Qty	L
1		TRACKING MODULE HATCON	1	
2	3315439130	DAMPER HATCON	2	
3	3315439119	HOUSING TYPE 5 HATCON	1	
4	3315439140	LOCK RING HATCON	1	
5	3315439120	SLEEVE HATCON	4	
6	3315439100	PRODUCT LABEL HATCON	1	
7	3315442600	SCREW HATCON	4	

Refer to the DocMine web page for most up-to-date information. The printed information might be outdated.

Thu Mar 14 08:28:21 UTC 2024



Mechanical Tightening torques



Refer to the DocMine web page for most up-to-date information. The printed information might be outdated.

Thu Mar 14 08:28:21 UTC 2024

Item	Part No.	Name	Qty	L
1		HEXAGON HEAD SCREW - 370 Nm (273 ft lbf)	8	
22		HEXAGON HEAD SCREW - 180 Nm (133 ft lbf)	8	A
32		HEXAGON HEAD SCREW - 550 Nm (406 ft lbf)	10	
33		NON RETURN VALVE - 200 Nm (148 ft lbf)	1	
34		GREASE NIPPLE - 30 Nm (22 ft lbf)	1	
35		Plug - 30 Nm, use LOCTITE®243	9	B
38		PRESSURE RELIEF VALVE - 80 Nm (59 ft lbf)	1	
42		CHECK VALVE - 80 Nm (59 ft lbf)	1	
43		PLUG - 20 Nm (15 ft lbf)	1	
44		VALVE - 30 Nm (22 ft lbf)	1	B
54		VALVE COVER - 2000 Nm (1475 ft lbf)	1	A
56		PLUG - 80 Nm (59 ft lbf)	4	B
63		Nut - 1385 Nm, use Molykote®	9	A

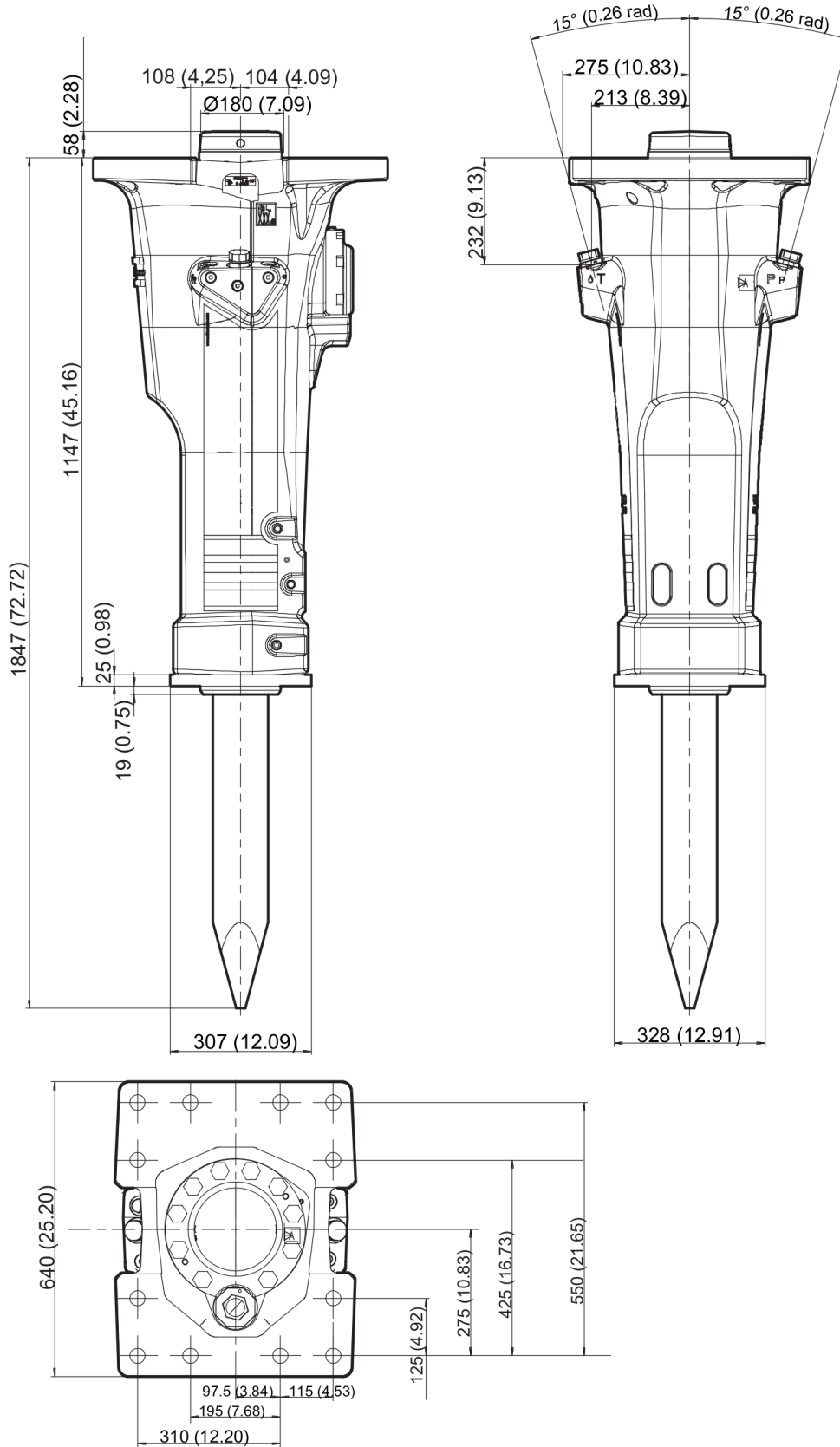
Comments for Page: Tightening torques

LOCTITE is a registered trademark of Henkel Corporation. 243 is a trademark of Henkel Corporation Molykote is a registered trademark of Dow Corning Corporation.

A | Molykote®

B | LOCTITE® 243™

Mechanical Dimensions

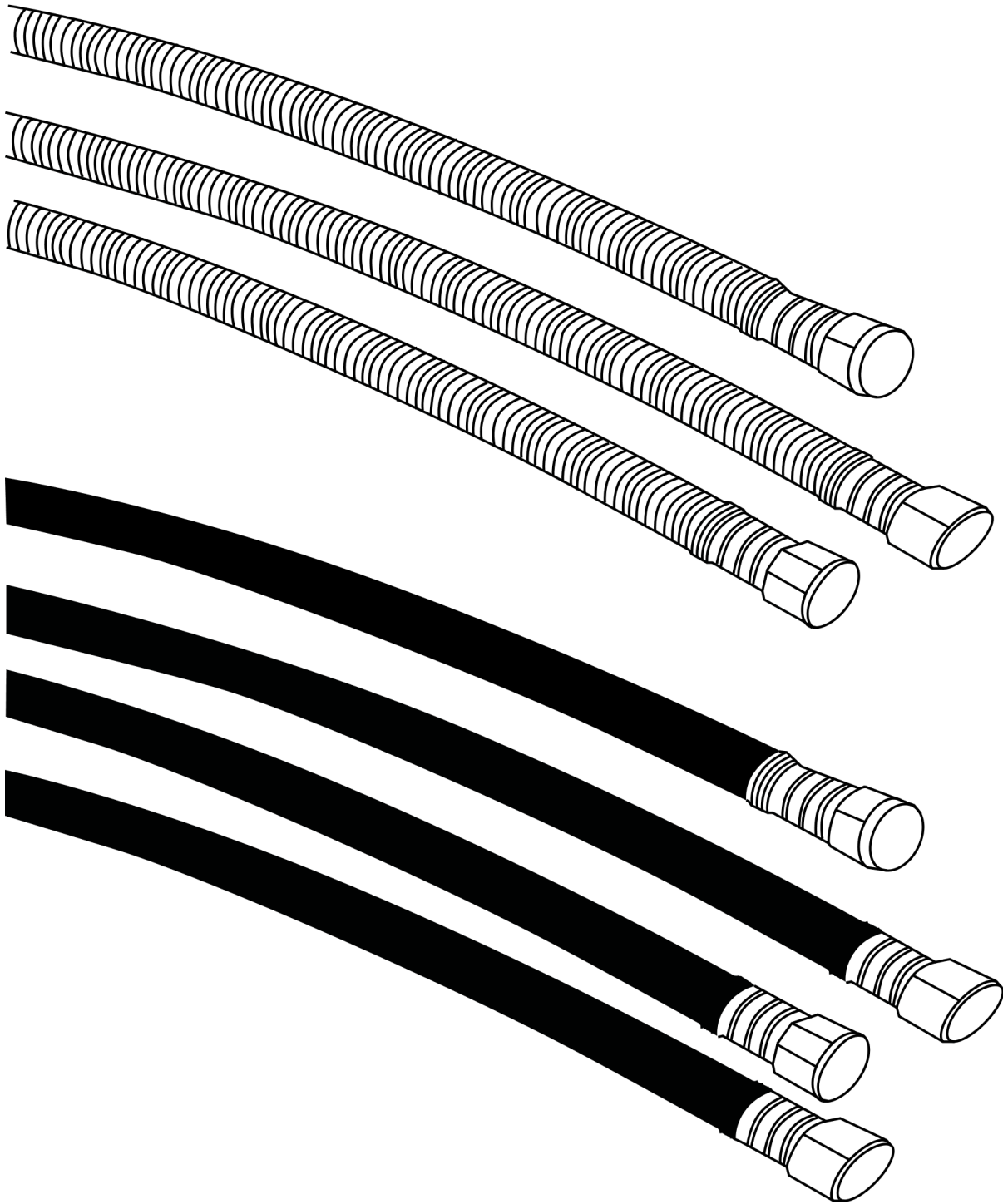


Refer to the DocMine web page for most up-to-date information. The printed information might be outdated.

Thu Mar 14 08:28:23 UTC 2024

This page intentionally left blank

Options / accessories Hydraulic hoses



Refer to the DocMine web page for most up-to-date information. The printed information might be outdated.

Thu Mar 14 08:28:23 UTC 2024

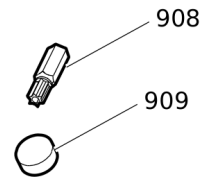
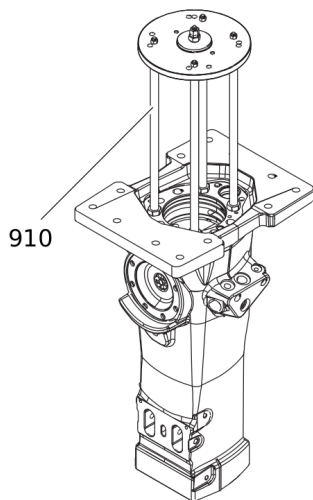
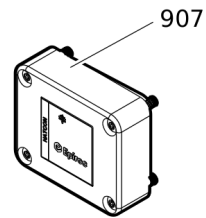
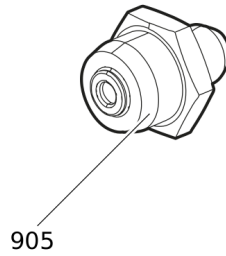
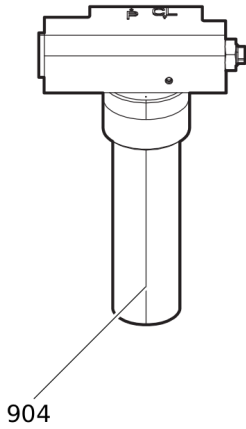
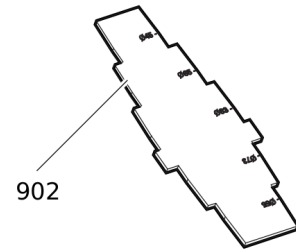
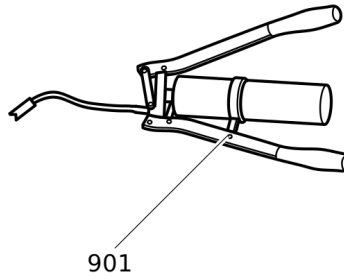
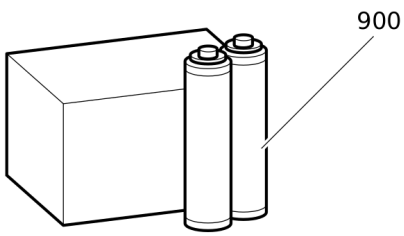
Item	Part No.	Name	Qty	L
-	3360332294	HYDRAULIC HOSE, I.D. 20 (0.79 in.), both ends M36 x 2 mm conical seal 24°, length 2,300 mm (90.5 in.)	2	
-	3363085947	HYDRAULIC HOSE, I.D. 20 (0.79 in.), both ends M36 x 2 mm conical seal 24°, length 2,800 mm (110.2 in.)	2	

---

Refer to the DocMine web page for most up-to-date information. The printed information might be outdated.

Thu Mar 14 08:28:23 UTC 2024

Options / accessories Optional equipment



Refer to the DocMine web page for most up-to-date information. The printed information might be outdated.

Thu Mar 14 08:28:23 UTC 2024

Item	Part No.	Name	Qty	L
900	3363122355	BIO CHISEL PASTE CARTRIDGE FOR GREASE GUN, 12 x 400 g (0.88 lbs)	1	
900	3363122356	BIO CHISEL PASTE CARTRIDGE, 12 x 550 g (1.2 lbs)	1	
900	3363091200	CHISEL PASTE CARTRIDGE, 12 x 500 g (1.1 lbs)	1	
-	3363122357	BIO CHISEL PASTE CONTAINER 15 kg (33 lbs)	1	
-	3363122358	BIO CHISEL PASTE CONTAINER 45 kg (99 lbs)	1	
-	3363094669	FILLING DEVICE	1	A
-	3363066411	FILLING DEVICE	1	B
-	3363066412	FILLING ADAPTER	1	C
901	0909107100	LUBRICAT.GUN	1	
902	3315409200	BUSHING WEAR CONTROLLER	1	
904	3363067123	AUTOMATIC LUBRICATION SYSTEM	1	
905	3363094459	NIPPLE, for charging the accumulator	1	
-	3360920415	FILLING DEVICE, for accumulator	1	
-	3361329803	FILLING HOSE, for charging the accumulator	1	
907	3315442505	HATCON KIT 5 (3G)	1	D
907	3315442524	HATCON KIT 5 (LTE)	1	D
908	3315439105	SECURITY BIT HATCON	1	
909	3315439106	MAGNET HATCON	1	
910	-	SERVICE TOOL FOR LINER	1	E
-	3315395200	WATER NOSSLE	4	
-	3363067493	UNIVERSAL ADAPTER KIT	1	F

Comments for Page: Optional equipment

(L)OCAL REMARKS

A | For the 500 g (1.10 lb) Chisel paste cartridges, to use in combination with Chisel paste container 15 kg (33 lb)

B | For the 500 g (1.10 lb) Chisel paste cartridges, to use in combination with Chisel paste container 45 kg (99 lb)

C | For the 500 g (1.10 lb) Chisel paste cartridges, suitable with the filling device for 15 kg (33 lb) and 45 kg (99 lb)

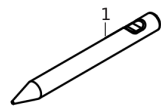
D | If the diaphragm cover does not have the borings for attaching HATCON you must also order a new diaphragm cover

E | Consult technical service for drawings

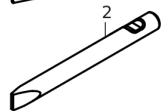
F | For Automatic lubrication system



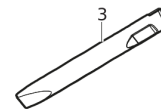
Options / accessories Working tools ClassicLine



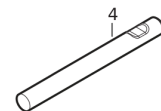
L=650 mm, LT=1,080 mm, Wt=61 kg  
L=25.6 inch, LT=42.5 inch, Wt=134 lb



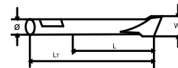
L=650 mm, LT=1,080 mm, Wt=63 kg  
L=25.6 inch, LT=42.5 inch, Wt=139 lb



Ø=120 mm, W= 120mm, L=610 mm, LT=1,080 mm, Wt=87.0 kg  
Ø=4.72 inch, W=4.72 inch, L=24.02 inch, LT=42.52 inch, Wt=191.8 lb

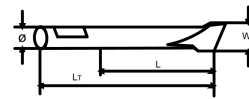
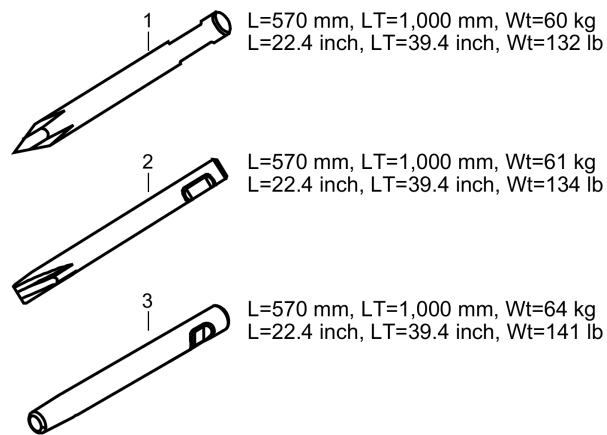


L=650 mm, LT=1,080 mm, Wt=66 kg  
L=25.6 inch, LT=42.5 inch, Wt=146 lb



Item	Part No.	Name	Qty	L
1	3363119655	MOIL POINT	1	
2	3363119656	CHISEL (cross)	1	
3	3363119657	CHISEL (parallel)	1	
4	3363119658	BLUNT TOOL	1	

Options / accessories Working tools ProLine



Item	Part No.	Name	Qty	L
1	3363118328	MOIL POINT	1	
2	3363118334	CHISEL (cross)	1	
3	3363103157	BLUNT TOOL	1	

Annex Environmental Product Compliance - REACH Declaration

**NO EXPLODED VIEW  
AVAILABLE  
FOR THIS BOM**

Item	Part No.	Name	Qty	L
36	-	Pressure relief valve, complete, Part No. 3315401100 - CAS No. 7439-92-1	-	

Comments for Page: Environmental Product Compliance - REACH Declaration

EU REACH Candidate List substances present in product listed above.



Any unauthorized use or copying of the contents or any part thereof is prohibited.  
This applies in particular to trademarks, model denominations, part numbers, and drawings.