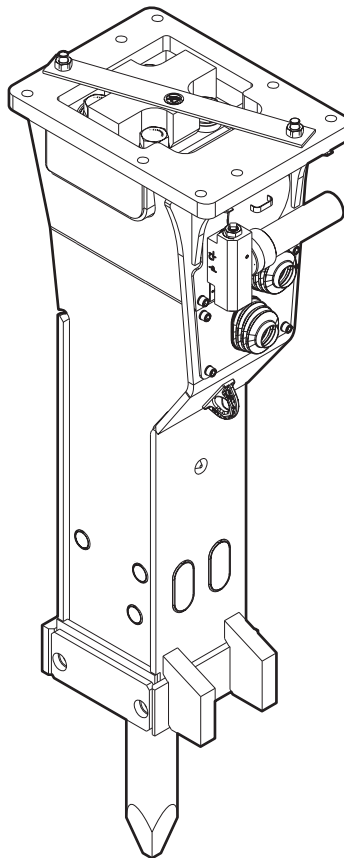


MB 750 DP

Spare parts list Hydraulic breakers

MB 750 DP s/n DEQ201164 -



General information

This spare parts list applies to the following:

Part number	Description
3363120507	Hydraulic breaker MB 750 DP
3363124760	Hydraulic breaker MB 750 DP with HATCON

Use only authorized parts. Any damage or malfunction caused by the use of unauthorized parts is not covered by Warranty or Product Liability. Any unauthorized use or copying of the contents or any part thereof is prohibited. This applies in particular to trademarks, model denominations, part numbers, and drawings.

Instructions for use

This spare parts list contains no safety regulations and is merely intended to assist in the ordering of spare parts.

For information about operating, servicing, or repairing, the relevant Safety and operating instructions must be consulted at all costs.

Please observe the safety instructions listed in the relevant Safety and operating instructions!

Instructions for ordering

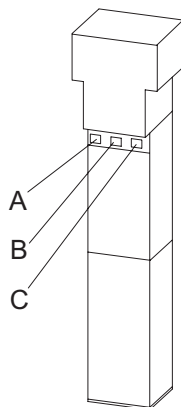
It is essential to indicate the serial number of the hydraulic attachment when ordering spare parts!

Please note the full identification number of your hydraulic attachment.

The code can be found on the cylinder.

Determine the quantity of individual parts which are required and need to be ordered. The order must indicate the following details:

- full identification code of the hydraulic attachment
- required quantity
- part number
- description



- A. Cylinder number
- B. Type
- C. Serial number

Service, repair and wear part kits

Label kit 1
Kit list 3

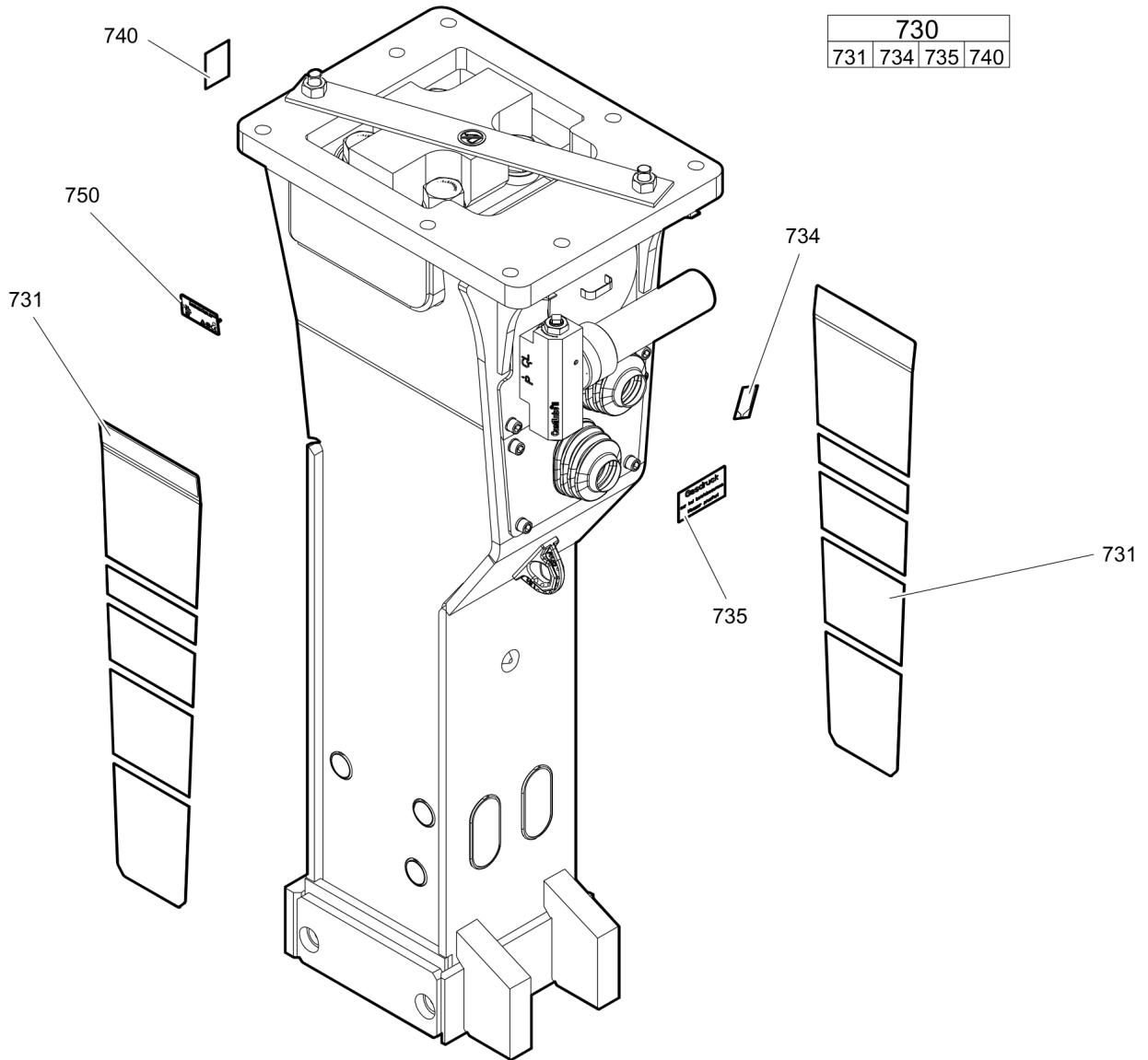
Mechanical

Hydraulic breaker 6
Percussion unit part 1: cylinder cover 10
Percussion unit part 2: cylinder 13
Percussion unit part 3: lower breaker part 15
Connecting kit for automatic lubrication system 17
HATCON 19
Optional parts 21
Tightening torques 23
Dimensions 26

Options / accessories

Hydraulic hoses 28
Optional equipment 31
ClassicLine 33
ProLine 35

Service, repair and wear part kits Label kit



Item	Part No.	Name	Qty	L
730(731-740)	3363121182	Label kit	1	
731		Label "MB 750 Epiroc"	2	
734		Label - Lubricating symbol	1	
735		Label - Gas pressure	2	
740		Sound power label	1	
750		Name plate - Consult the authorized Customer Center/Dealer in your area.	1	

Service, repair and wear part kits Kit list

NO EXPLODED VIEW
AVAILABLE
FOR THIS BOM

Item	Part No.	Name	Qty	L
KIT	3363122475	Seal kit	1	
120	3360314664	O-ring	1	
122	3363091710	Seal	1	
123	3363091708	Seal	2	
124	3363091709	O-ring, 104.14 x 5.33 mm	2	
182	3360478426	Threaded plug	1	
183	3360175125	O-ring	1	
303	3360314494	O-ring	1	
304	3362267585	Seal	1	
305	3363091714	Wiper	1	
315	3360478171	O-ring	1	
385	3363122402	Seal	2	
397	3360314551	O-ring	2	
KIT	3363091732	Seal kit for swivel joint for automatic lubrication system	1	
KIT	3363121181	Plastic parts kit	1	
2	3363092857	Elastic pad	1	
3	3361852237	Shock absorber	2	
4	3363120055	Guide plate	2	
5	3363084231	Guide plate	1	
7	3363092861	Guide plate	1	
KIT	3363094345	Tensioning bolt kit	1	A
191		Tensioning bolt	2	
192	3363093645	Washer	2	
488	3363089419	Threaded insert	2	
KIT	3363094383	DustProtector kit	1	
11	3363070658	Floating ring (tribolid)	1	
12	3363035207	Counter ring	1	
13	3363035205	Guide ring	1	
14	3363091365	Bolt	2	
15	3361854363	Locking bush	2	
KIT	3363121184	Noise protection kit	1	
31	3363086011	Plug	1	
32	3362267897	Plug	10	
36	3363120079	Cover	1	
37	3363118186	Bellows	2	
KIT	3363103475	Lower breaker part kit (steel) for DustProtector version	1	
18	3363104783	Base for wiper	1	

Refer to the DocMine web page for most up-to-date information. The printed information might be outdated.

Mon Mar 01 11:03:48 UTC 2021

Item	Part No.	Name	Qty	L
19	3363034394	Wiper	1	
401	3363104779	Retainer bar	2	
402	3363104781	Bolt	2	
484	3363092889	Impact ring	1	
485	3363092891	Wear bush	1	
486	3362261509	Pin	2	
487	3363091201	Spring dowel sleeve	4	
490	3363033043	Locking bush	2	
491	3363104777	Wear bush (steel)	1	
-	3315038100	Bio chisel paste cartridge, 12 x 400 g (0.88 lbs)	1	
-	3362235293	Test gauge lower wear bush	1	

Comments for Page: Kit list

A | You need Anti-Seize agent when fitting tensioning bolts. You have to order it separately.

Anti-seize 120 g, part number 3363094300

Or buy it locally according to the following specification:

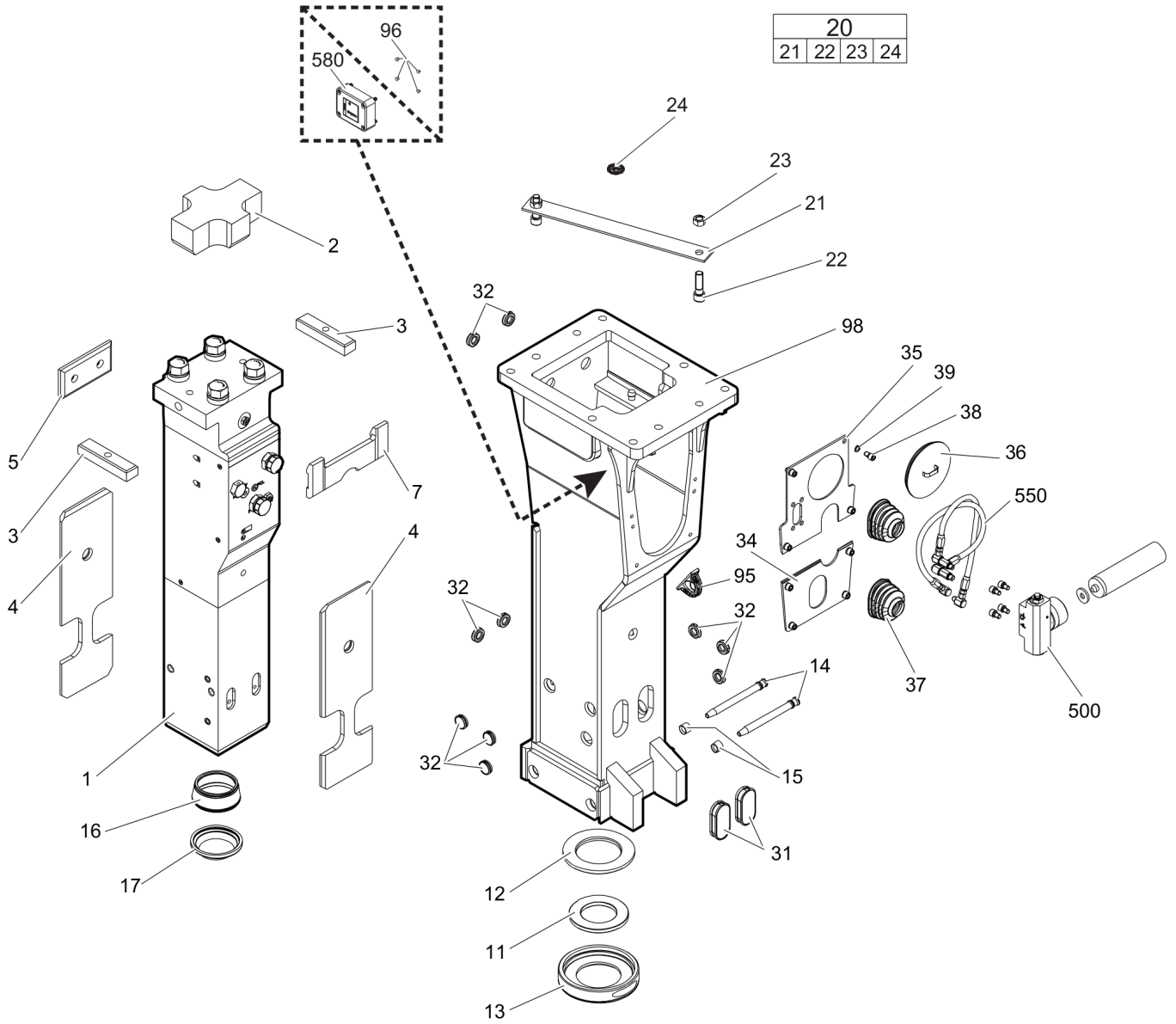
coefficient of friction 0.14 μ

coefficient of friction thread 0.13 μ

coefficient of friction on upside down 0.15 μ

This page intentionally left blank

Mechanical Hydraulic breaker



Item	Part No.	Name	Qty	L
1		Percussion unit	1	A
2	3363092857	Elastic pad	1	
3	3361852237	Shock absorber	2	
4	3363120055	Guide plate	2	
5	3363084231	Guide plate	1	
7	3363092861	Guide plate	1	
11	3363070658	Floating ring (tribolid)	1	B
12	3363035207	Counter ring	1	
13	3363035205	Guide ring	1	
14	3363091365	Bolt	2	
15	3361854363	Locking bush	2	
16	3363104783	Base for wiper	1	
17	3363034394	Wiper	1	
20(21-24)	3363083731	Transport safety device complete	1	
21		Transport safety device	1	
22	3360026786	Allen screw	2	
23	3360103251	Nut	2	
24	3363091872	Label transport safety device	1	
31	3363086011	Plug	2	
32	3362267897	Plug	10	
34	3363120077	Cover	1	
35	3363120078	Cover	1	
36	3363120079	Cover	1	
37	3363118186	Bellows	2	
38	3362328480	Allen screw	8	
39	3361850596	Pair of lock washers	8	
95	3363111993	Lifting eye	1	C
96	3315439145	Protective plug HATCON	4	D
98	3363120508	Breaker box	1	E
500	3363067123	Automatic lubrication system	1	
550		Connecting kit for automatic lubrication system	1	F
580		HATCON	1	G

Comments for Page: Hydraulic breaker

A | see separate chapter

Note: When ordering a percussion unit for DustProtector version it is imperative to order additionally the base for wiper (item 16) and the wiper (item 17).

Refer to the DocMine web page for most up-to-date information. The printed information might be outdated.

Mon Mar 01 11:03:51 UTC 2021

B | steel see chapter Optional parts

C | professional welding process necessary

D | only for hydraulic breakers without HATCON

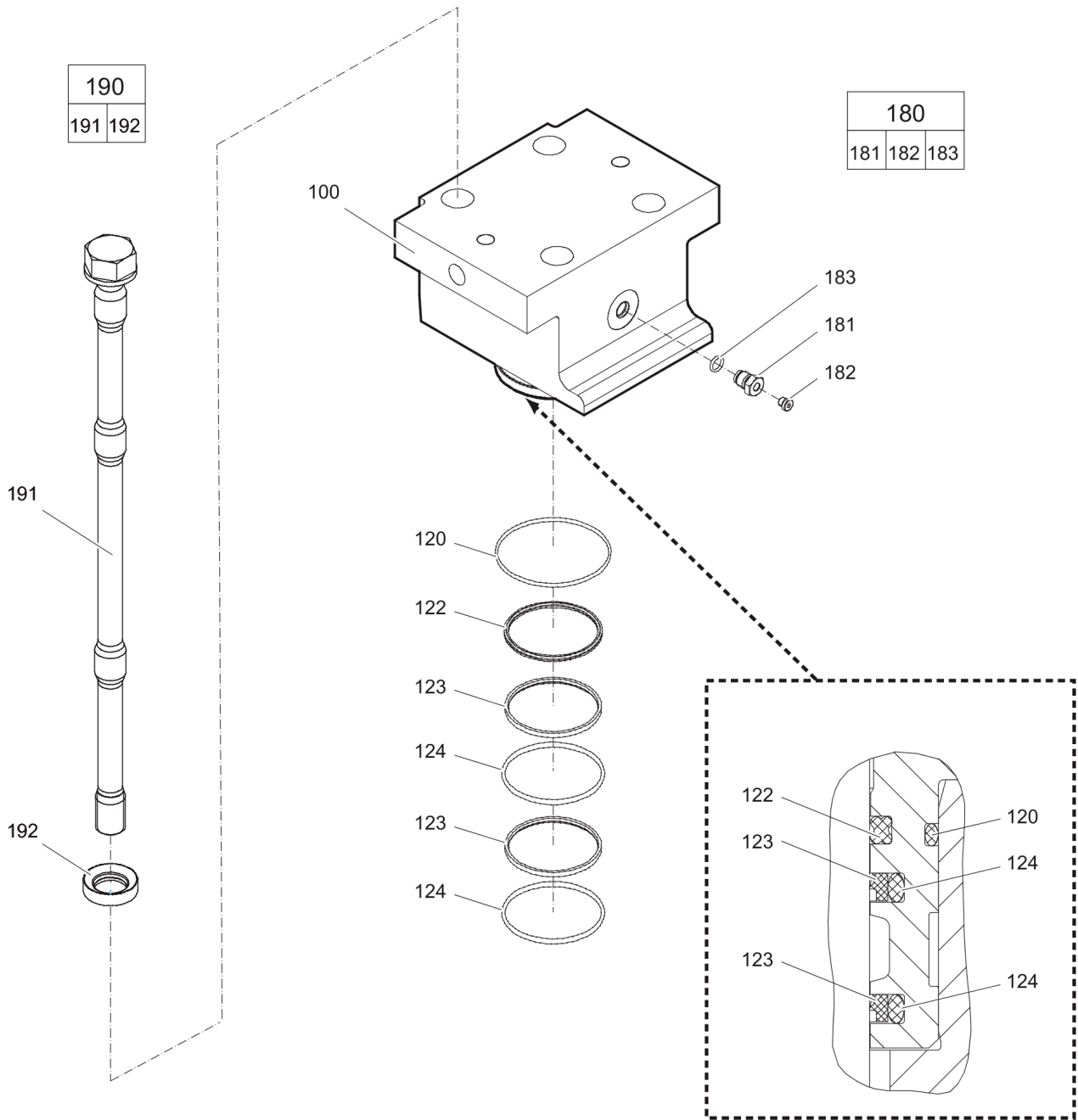
E | with item 95 and 96

F | see separate chapter

G | only for hydraulic breakers with HATCON / see separate chapter

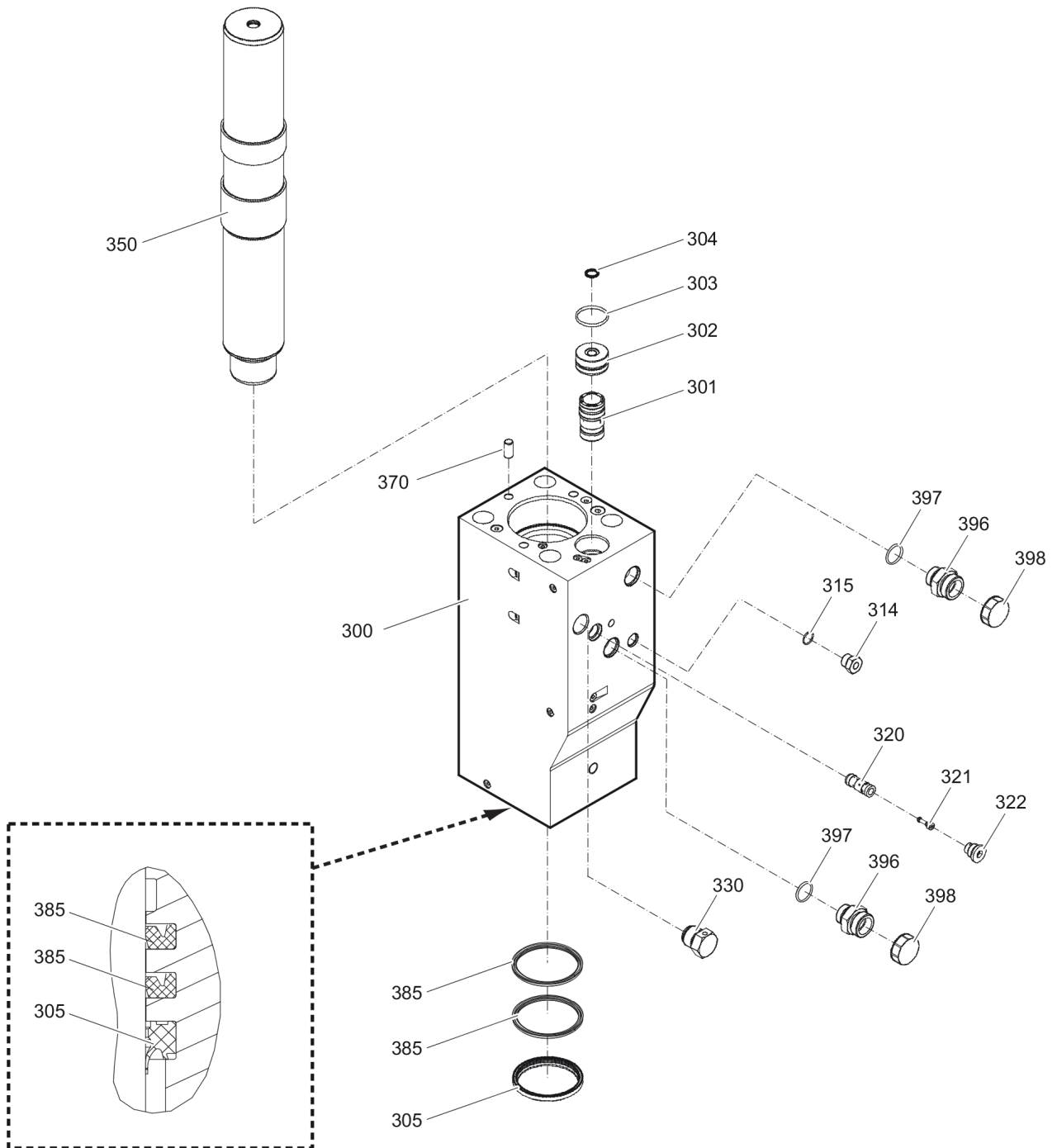
This page intentionally left blank

Mechanical Percussion unit part 1: cylinder cover



Item	Part No.	Name	Qty	L
100	3363091704	Cylinder cover	1	
120	3360314664	O-ring	1	
122	3363091710	Seal	1	
123	3363091708	Seal	2	
124	3363091709	O-ring, 104.14 x 5.33 mm	2	
180(181-183)	3363087286	Filling valve complete	1	
181		Filling valve	1	
182	3360478426	Threaded plug	1	
183	3360175125	O-ring	1	
190(191-192)	3363091702	Tensioning bolt complete	4	
191		Tensioning bolt	1	
192	3363093645	Washer	1	

Mechanical Percussion unit part 2: cylinder



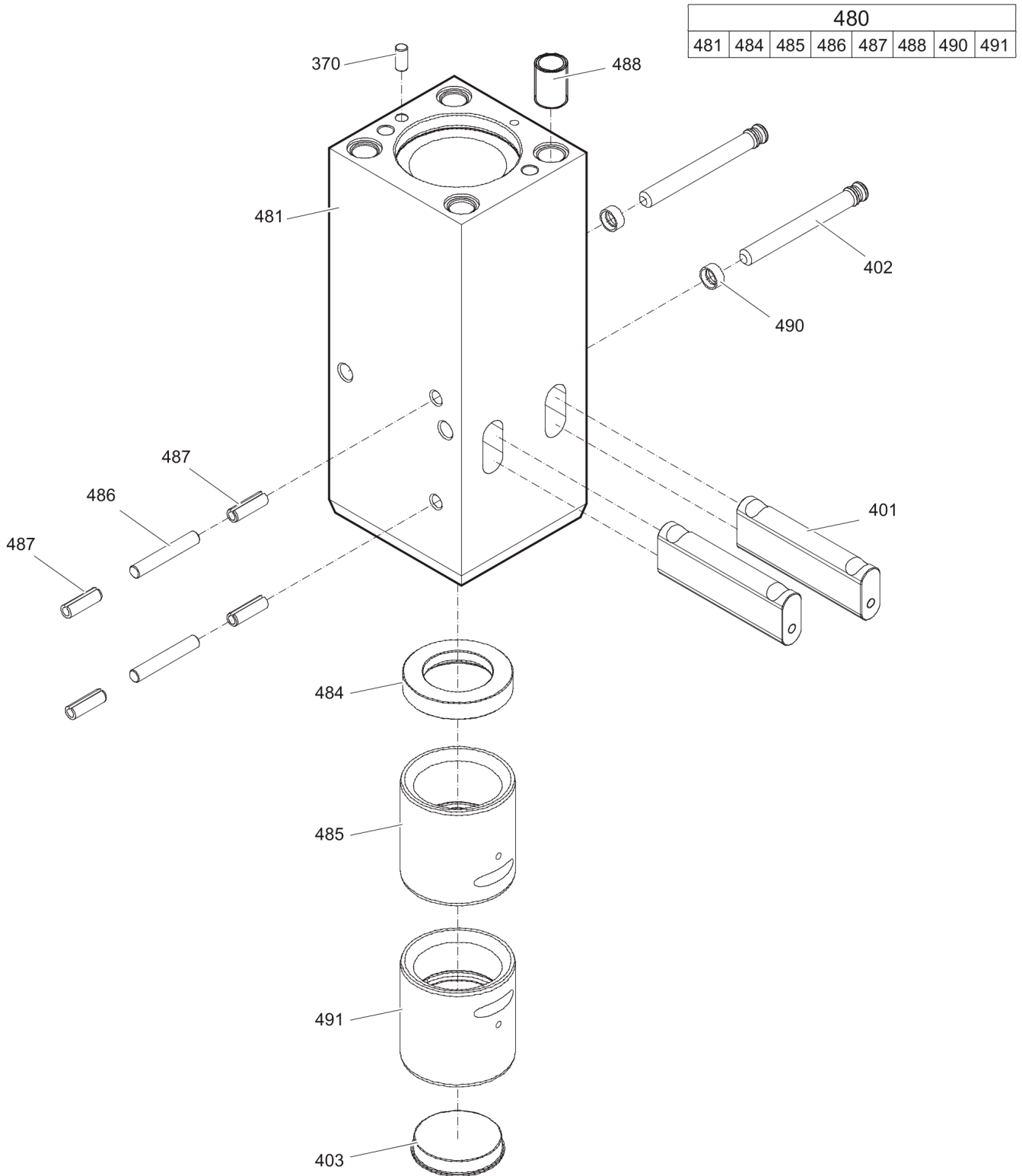
Item	Part No.	Name	Qty	L
300	3363123701	Cylinder	1	
301	3363092881	Main control valve	1	
302	3360996767	Cover	1	
303	3360314494	O-ring	1	
304	3362267585	Seal	1	
305	3363091714	Wiper	1	
314	3361854657	Connecting screw	1	
315	3360478171	O-ring	1	
320	3363033059	Valve housing	1	
321	3363105305	Valve piston	1	
322	3363033749	Threaded plug	1	
330	3361854511	Non-return valve	1	
350	3363091703	Percussion piston	1	
370	3360106784	Parallel pin 14X28	1	
385	3363122402	Seal	2	
396	3360995665	Fitting	2	A
397	3360314551	O-ring	2	
398	3361353488	Protective cap	2	

Comments for Page: Percussion unit part 2: cylinder

(L)OCAL REMARKS

A | with item 397

Mechanical Percussion unit part 3: lower breaker part



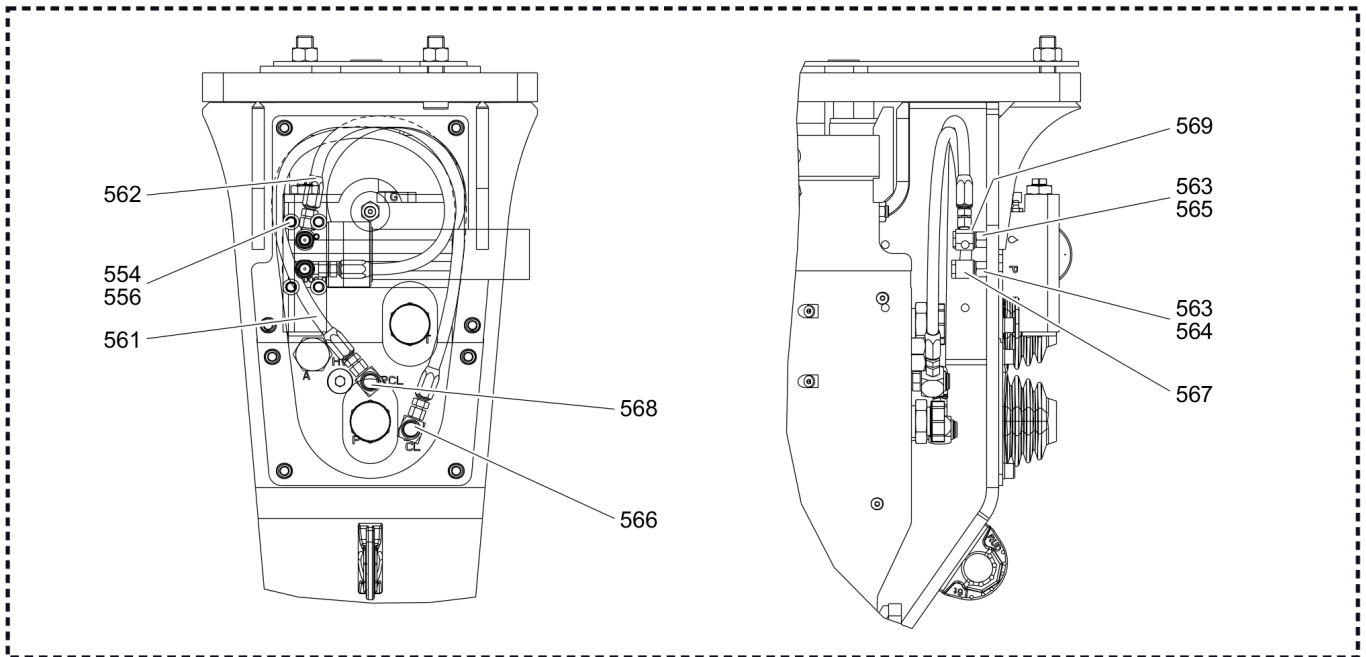
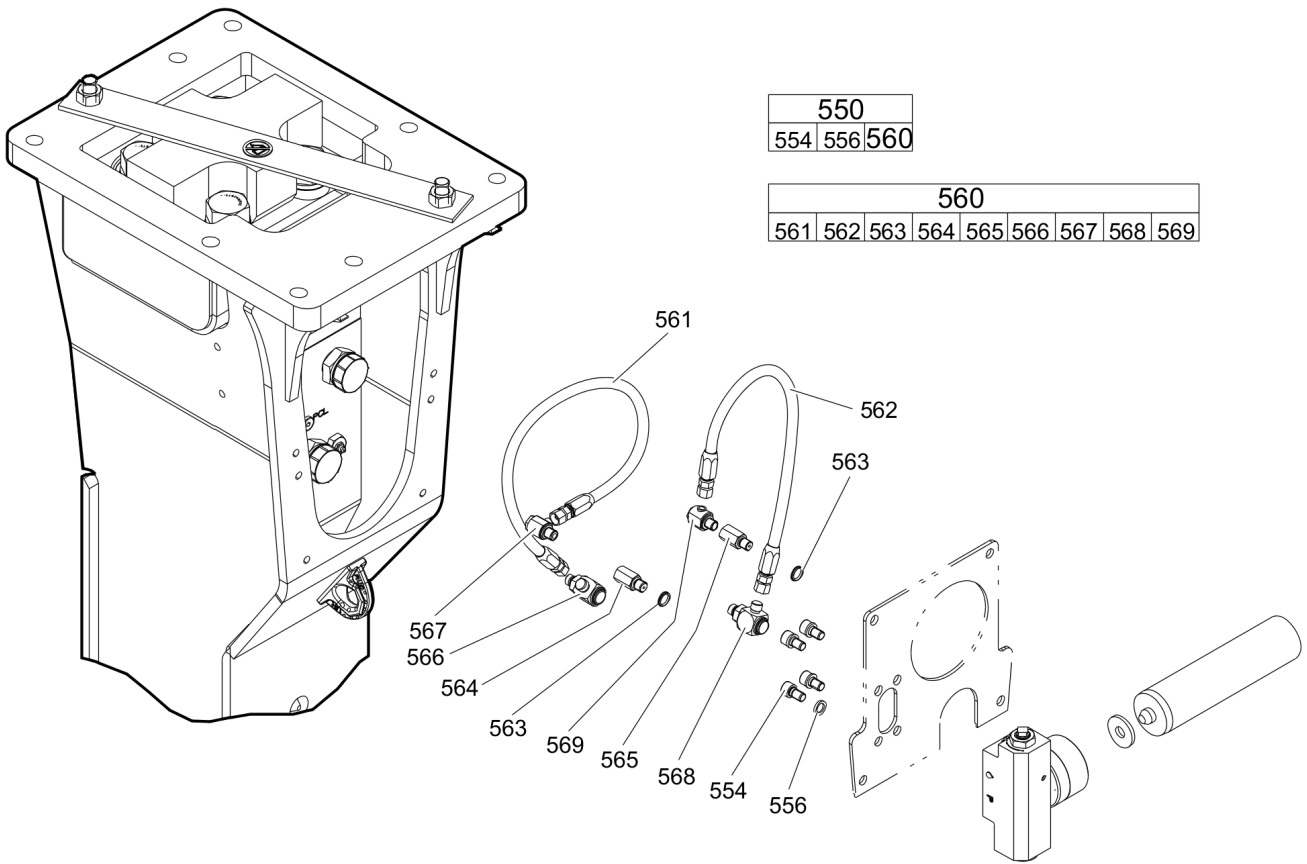
Item	Part No.	Name	Qty	L
370	3360106784	Parallel pin 14X28	1	
401	3363104779	Retainer bar	2	
402	3363104781	Bolt	2	
403	3363031713	Protective cap	1	
480(481-491)	3363103242	Lower breaker part complete	1	A
481		Lower breaker part	1	
484	3363092889	Impact ring	1	
485	3363092891	Wear bush	1	
486	3362261509	Pin	2	
487	3363091201	Spring dowel sleeve	4	
488	3363089419	Threaded insert	4	
490	3363033043	Locking bush	2	
491	3363104777	Wear bush (steel)	1	

Comments for Page: Percussion unit part 3: lower breaker part

(L)OCAL REMARKS

A | Note: When ordering a lower breaker part for DustProtector version it is imperative to order additionally the base for wiper (item 18) and the wiper (item 19).

Mechanical Connecting kit for automatic lubrication system



Refer to the DocMine web page for most up-to-date information. The printed information might be outdated.

Mon Mar 01 11:03:53 UTC 2021

Item	Part No.	Name	Qty	L
550(554-560)		Connecting kit for automatic lubrication system	1	
554	3362328480	Allen screw	4	A
556	3361850596	Pair of lock washers	4	
560(561-569)	3363121795	Connecting kit for automatic lubrication system	1	B
561	3363087394	Hydraulic hose	1	C
562	3363083874	Hydraulic hose	1	D
563	3363066951	Seal	2	
564	3363068745	Adapter	1	A
565	3363066887	Adapter	1	A
566	3363087185	Fitting	1	A
567	3363066234	Fitting	1	A
568	3363087186	Fitting	1	A
569	3363066233	Fitting	1	A

Comments for Page: Connecting kit for automatic lubrication system

(L)OCAL REMARKS

A | secure with Loctite 243

B | without fastening elements

C | Oil line

secure with Loctite 243

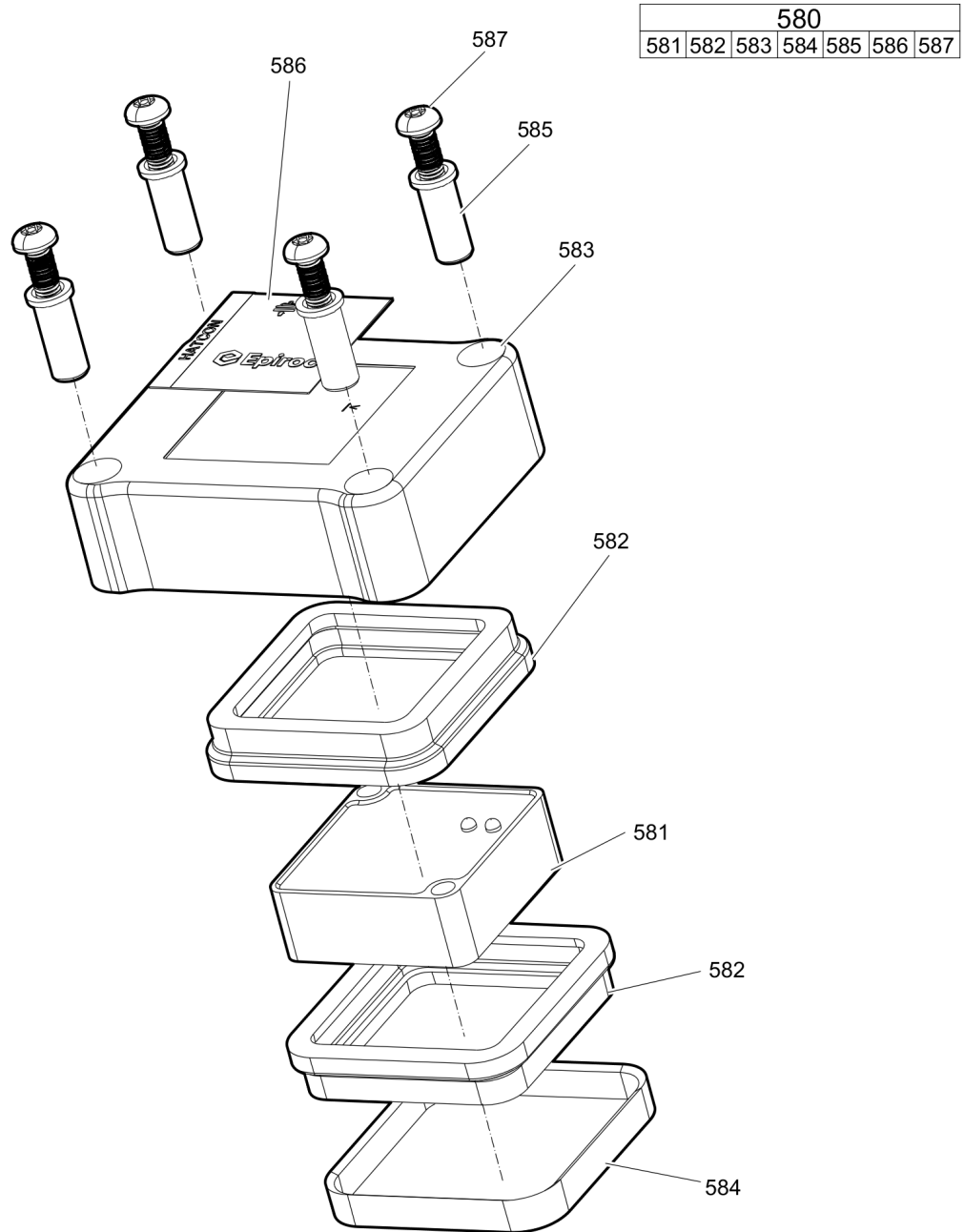
Route the hydraulic hoses as shown on the drawing. It must be ensured that the hydraulic hoses can move freely and are not in contact at any point.

D | Grease line

secure with Loctite 243

Route the hydraulic hoses as shown on the drawing. It must be ensured that the hydraulic hoses can move freely and are not in contact at any point.

Mechanical HATCON

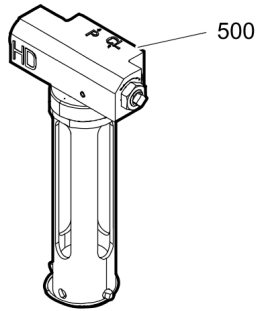
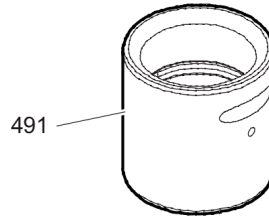
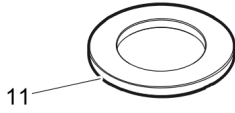


Item	Part No.	Name	Qty	L
580(581-587)		HATCON	1	A
581		Tracking module HATCON	1	
582	3315439130	Damper HATCON	2	
583	3315439110	Housing type 1 HATCON	1	
584	3315439140	Lock ring HATCON	1	
585	3315439120	Sleeve HATCON	4	
586	3315439100	Product label HATCON	1	
587	3315442600	Screw HATCON	4	

Comments for Page: HATCON

A | part number see chapter "Optional equipment"

Mechanical Optional parts



Item	Part No.	Name	Qty	L
11	3363035209	Floating ring (steel)	1	
491	3363104369	Wear bush (bronze)	1	
500	3363117931	Automatic lubrication system HD	1	

Mechanical Tightening torques

NO EXPLODED VIEW
AVAILABLE
FOR THIS BOM

Item	Part No.	Name	Qty	L
22	-	Allen screw - 240 Nm (177 ft lbf)	-	A
23	-	Nut - 240 Nm (177 ft lbf)	-	B
181	-	Filling valve - 130 Nm (96 ft lbf)	-	C
182	-	Threaded plug - 20 Nm (15 ft lbf)	-	D
191	-	Tensioning bolt -	-	E
314	-	Threaded plug - 300 Nm (221 ft lbf)	-	F
322	-	Threaded plug - 100 Nm (74 ft lbf)	-	G
330	-	Non-return valve - 200 Nm (148 ft lbf)	-	H
396	-	Fitting - 330 Nm (243 ft lbf)	-	I
554	-	Allen screw - 85 Nm (63 ft lbf)	-	J
561	-	Hydraulic hose - 42 Nm (31 ft lbf)	-	K
562	-	Hydraulic hose - 16 Nm (12 ft lbf)	-	L
564	-	Adapter - 55 Nm (41 ft lbf)	-	K
565	-	Adapter - 45 Nm (33 ft lbf)	-	K
566	-	Fitting - 60 Nm (44 ft lbf)	-	M
567	-	Fitting - 55 Nm (41 ft lbf)	-	N
568	-	Fitting - 50 Nm (37 ft lbf)	-	O
569	-	Fitting - 45 Nm (33 ft lbf)	-	P
587	-	Screw HATCON - 22 Nm (16 ft lbf) -	-	Q

Comments for Page: Tightening torques

(L)OCAL REMARKS

A | Allen key size 17

B | Socket spanner size 20

C | Socket spanner size 22

D | Allen key size 5

E | Torque wrench or Power wrench size 50

1. Pretighten the tensioning bolts to 200 Nm, proceeding in a crosswise fashion,
2. then tighten each tensioning bolt through 120° (2 sides of hexagonal head) in a crosswise fashion,
3. finally tighten each tensioning bolt again through 90° (1 1/2 sides of hexagonal head) in a crosswise fashion.

F | Allen key size 22

G | Allen key size 12

H | Socket spanner size 41

I | Jaw spanner size 46/50

J | Allen key size 10

K | Open-ended wrench size 19

L | Open-ended wrench size 17

Refer to the DocMine web page for most up-to-date information. The printed information might be outdated.

Mon Mar 01 11:03:57 UTC 2021

M | Open-ended wrench size 19, 22, 27

N | Open-ended wrench size 19, 22

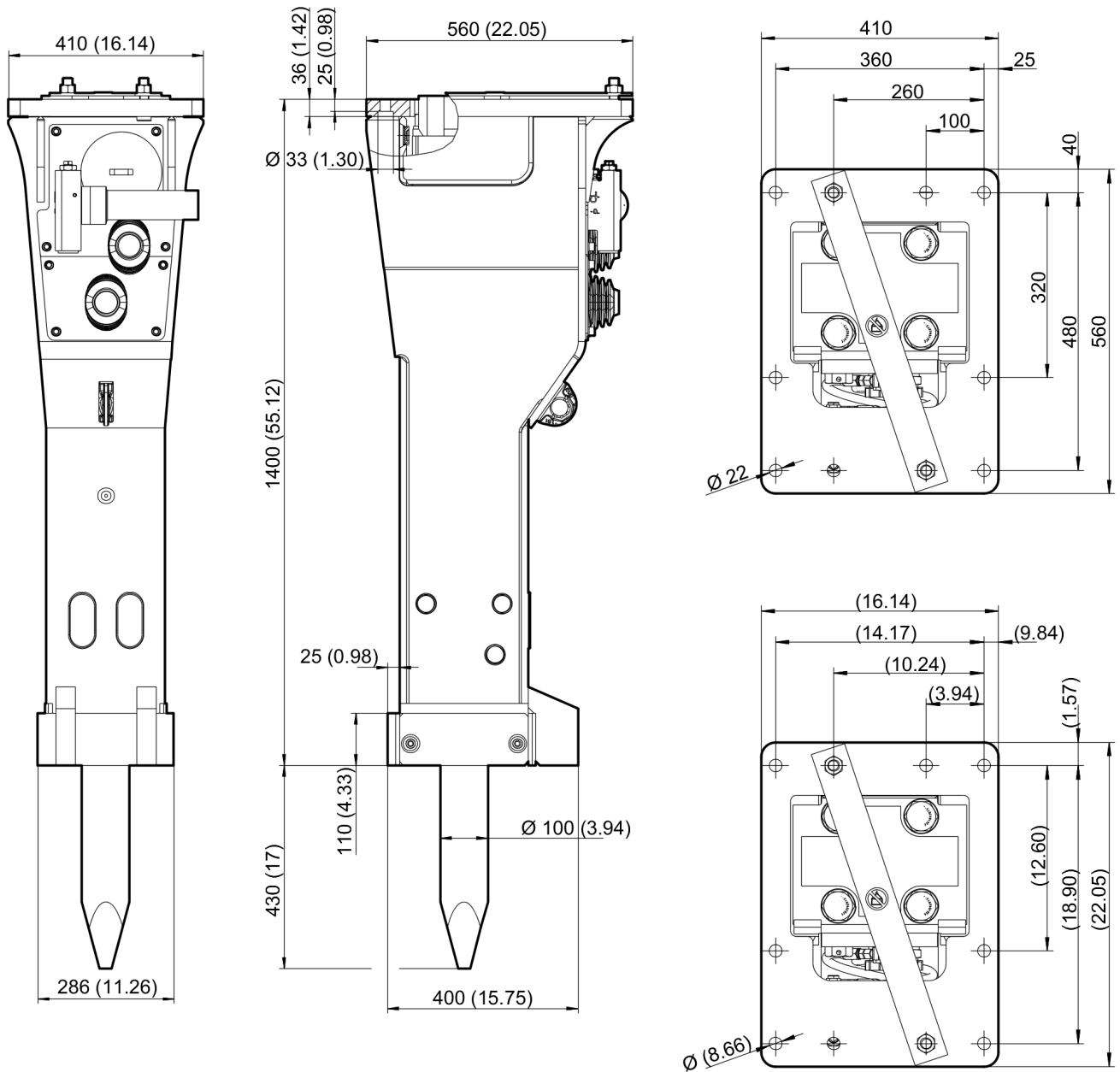
O | Open-ended wrench size 17, 22, 27

P | Open-ended wrench size 17, 19, 22

Q | Security bit HATCON

This page intentionally left blank

Mechanical Dimensions



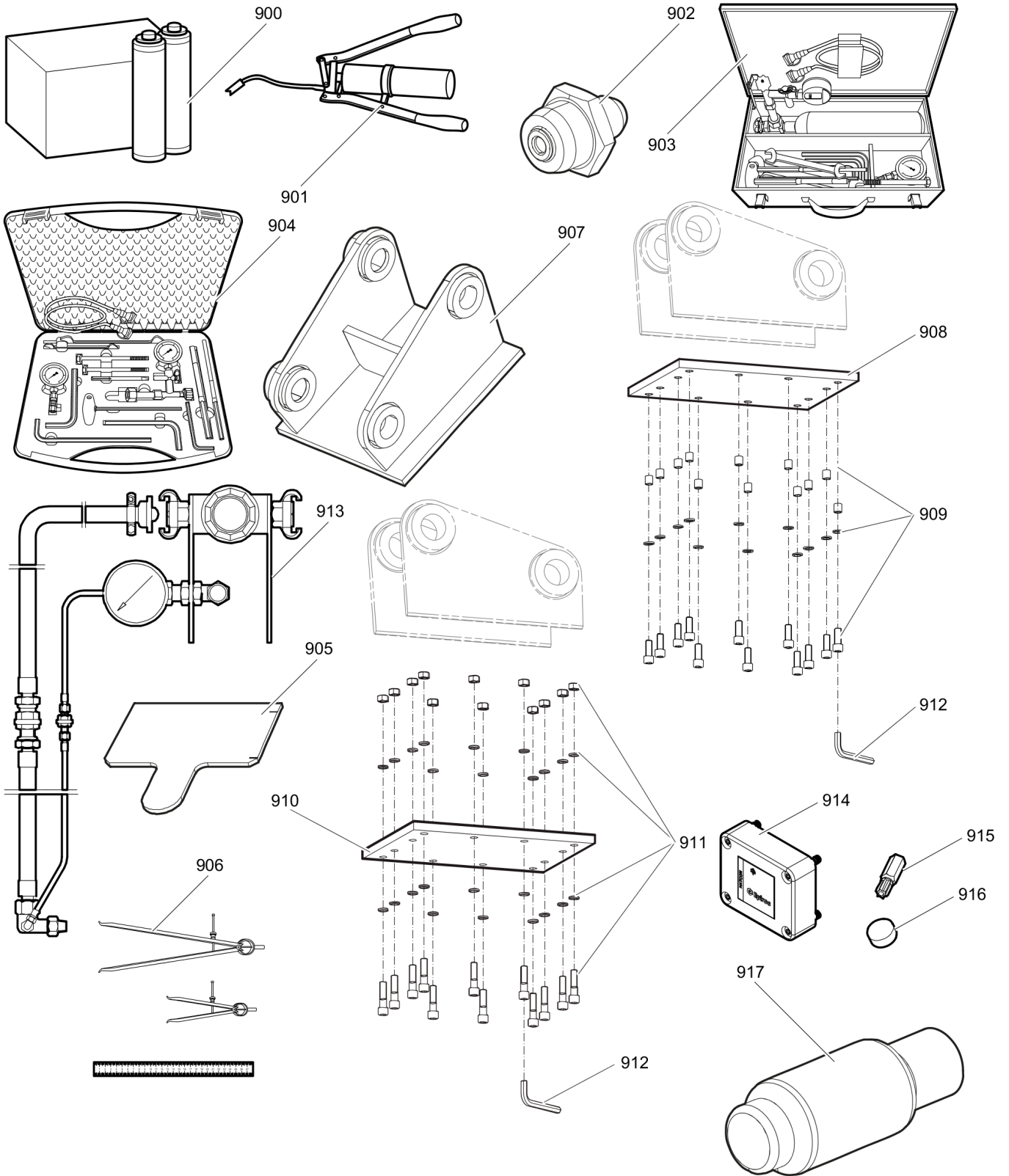
This page intentionally left blank

Options / accessories Hydraulic hoses

NO EXPLODED VIEW
AVAILABLE
FOR THIS BOM

Item	Part No.	Name	Qty	L
-	3360992340	Hydraulic hose, I.D. 25 (1"), both ends M42 x 2 conical seal 24°, length 2300 mm (91 in.)	2	
-	3361853859	Hydraulic hose, I.D. 25 (1"), both ends M42 x 2 conical seal 24°, length 2800 mm (110 in.)	2	

Options / accessories Optional equipment



Refer to the DocMine web page for most up-to-date information. The printed information might be outdated.
Mon Mar 01 11:04:00 UTC 2021

Item	Part No.	Name	Qty	L
900	3363122356	Bio chisel paste cartridge, 12 x 550 g (1.2 lbs)	1	
900	3363091200	Chisel paste cartridge, 12 x 500 g (1.1 lbs)	1	
901	3363034567	GREASE PUMP	1	
902	3360433774	Grease nipple	1	
903	3363089844	Maintenance and charging box with nitrogen cylinder, 2 l, 0.43 gal (0.53 US gal)	1	
904	3363094940	Maintenance and charging box without nitrogen cylinder	1	
905	3362235293	Test gauge lower wear bush	1	
906	3363094952	Inside callipers upper wear bush	1	
907		Adapter plate matching the carrier. Consult the authorized Customer Center/Dealer in your area.	1	
908	3363099797	Base plate with threaded inserts	1	
909	3363094537	Bolt kit	1	
910	3363100695	Base plate with through borings	1	
911	3363094574	Bolt kit	1	
912	3360209253	Allen key (19 mm)	1	
913	3363090531	Adapter kit for underwater applications	1	
914	3315442500	Retrofit kit HATCON	1	A
915	3315439105	Security bit HATCON	1	
916	3315439106	Magnet HATCON	1	
917	3363092971	Piston retainer	1	B

Comments for Page: Optional equipment

A | with item 915 and 916

Hydraulic breakers are factory equipped with threads for attaching Retrofit kit HATCON

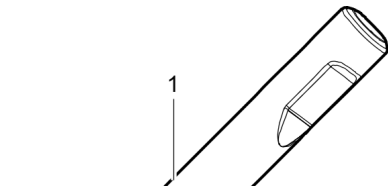
from s/n DEQ200061 - (MB 750)

from s/n DEQ200345 - (MB 750 DP)

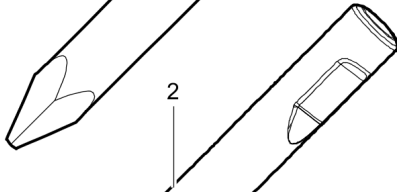
from s/n DEQ200096 - (MB 750 E)

B | Consult the authorized Customer Center/Dealer in your area.

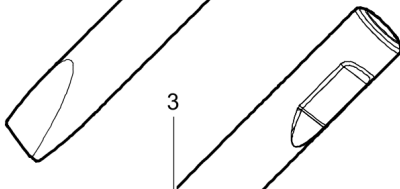
Options / accessories ClassicLine



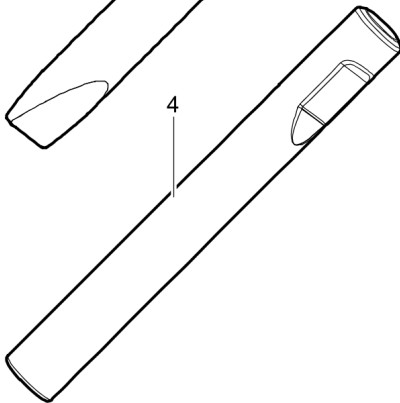
Ø=100 mm, L=430 mm, LT=920 mm, Wt=51.0 kg
 Ø=3.94 inch, L=17 inch, LT=36.22 inch, Wt=112.4 lb



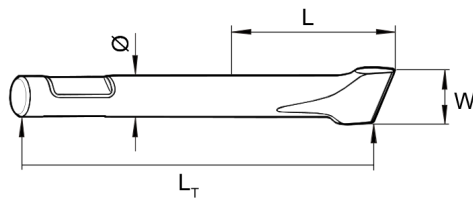
Ø=100 mm, W=100 mm, L=430 mm, LT=920 mm, Wt=52.0 kg
 Ø=3.94 inch, W=3.94 inch, L=17 inch, LT=36.22 inch, Wt=114.6 lb



Ø=100 mm, W=100 mm, L=430 mm, LT=920 mm, Wt=52.0 kg
 Ø=3.94 inch, W=3.94 inch, L=17 inch, LT=36.22 inch, Wt=114.6 lb

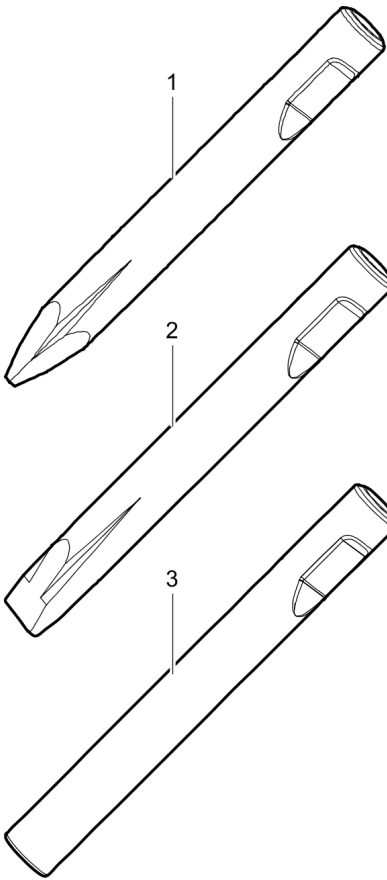


Ø=100 mm, L=430 mm, LT=920 mm, Wt=55.0 kg
 Ø=3.94 inch, L=17 inch, LT=36.22 inch, Wt=121.3 lb



Item	Part No.	Name	Qty	L
1	3363119634	Moil point	1	
2	3363119635	Chisel (cross)	1	
3	3363119636	Chisel (parallel)	1	
4	3363119637	Blunt tool	1	

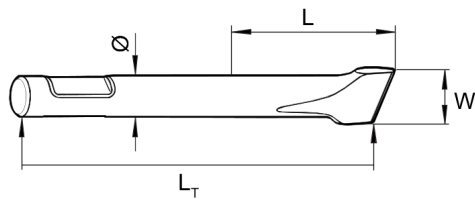
Options / accessories ProLine



Ø=100 mm, L=510 mm, LT=1000 mm, Wt=55.0 kg
Ø=3.94 inch, L=20 inch, LT=39.37 inch, Wt=121.3 lb

Ø=100 mm, W=100 mm, L=510 mm, LT=1000 mm, Wt=57.0 kg
Ø=3.94 inch, W=3.94 inch, L=20 inch, LT=39.37 inch, Wt=125.7 lb

Ø=100 mm, L=510 mm, LT=1000 mm, Wt=60.0 kg
Ø=3.94 inch, L=20 inch, LT=39.37 inch, Wt=132.3 lb



Item	Part No.	Name	Qty	L
1	3363118337	Moil point	1	
2	3363118342	Chisel (cross)	1	
3	3363103482	Blunt tool	1	

Any unauthorized use or copying of the contents or any part thereof is prohibited.
This applies in particular to trademarks, model denominations, part numbers, and drawings.